

CE-50  
CE-75

TE-50  
TE-75

TE-75S  
TE-125

TE-125BF

EN User and installation manual  
DE Installations- und Gebrauchsanweisung  
FR Manuel d'installation et mode d'emploi  
IT Manuale per l'installazione e l'uso  
ES Manual de instalación y servicio  
PT Manual de instalação e do utilizador  
EL Εγκατάσταση και εγχειρίδιο συντήρησης  
PL Instrukcja montażu i obsługi  
RO Manual de instalare și service  
RU Руководство по установке и обслуживанию  
TR Kullanma kilavuzu  
AR دليل المستخدم والتركيب

Food Waste Disposer  
Speisereste-Entsorge  
Broyeur de déchets alimentaire  
Tritarifiuti  
Triturador de residuos  
Triturador para resíduos alimentares  
Σκουπιδοφάγος  
Młynek do odpadów spożywczych  
Tocător deșeuri alimentare  
Измельчитель пищевых отходов  
Çöp Öğütücü  
مفرمة النفايات

Make  
it  
Wonderful

**FRANKE**



## TABLE OF CONTENTS

---

About this manual	4
Intended use	4
Safety information	4
Assembly parts	5
Removal of old unit	6
Plumbing connection	7
Installation of mounting assembly	7
Electrical connection	9
Attaching discharge elbow	10
Air switch operated	11
Operating instructions	11
Continuous feed	11
Batch feed	11
Troubleshooting	12
Cleaning and Maintenance	13
Disposal	13

## ABOUT THIS MANUAL

This user manual applies to several models of the device. Thus it may be possible that some of the described features and functions are not available on your specific model.

FRANKE reserves the right to make modifications to the product without prior notice. All information correct at time of issuance.

- ▶ Keep the user manual.
- ▶ Use the device described in this user manual only according to the intended use.

Symbol	Meaning
	Warning symbol. Warning against risks of injury.
▷	Actions in safety and warning notes to avoid injury or damage.
▶	Action step. Specifies an action to be done.
■	Result. Result of one or more action steps.
✓	Precondition that has to be fulfilled before performing the following action.



Warning symbol. Warning against risks of injury.

▷ Actions in safety and warning notes to avoid injury or damage.

▶ Action step.  
Specifies an action to be done.

■ Result. Result of one or more action steps.

✓ Precondition that has to be fulfilled before performing the following action.

## INTENDED USE

The food waste disposer is an electrical device to be installed under the sink in order to shred food waste into pieces.

Make sure that the authorities permit the installation of the waste disposer.

- ▷ Use the waste disposer only for food waste.

## SAFETY INFORMATION

INSTRUCTIONS PERTAINING TO A RISK OF FIRE, ELECTRIC SHOCK OR INJURY TO PERSONS.

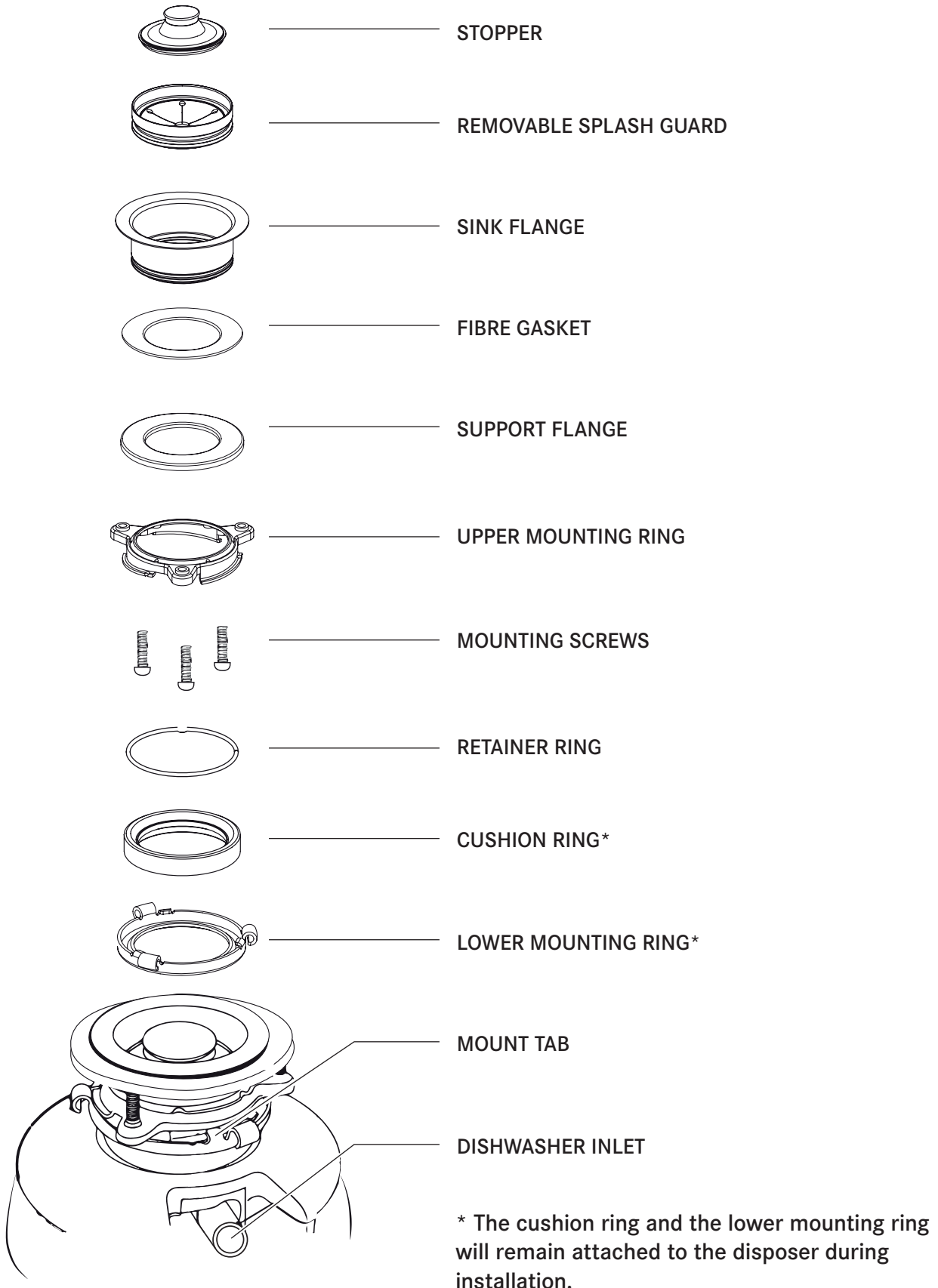


**WARNING:** When using electrical appliances, basic precautions should always be followed, including the following:

- ▷ Read all instructions before using the appliance.
- ▷ To reduce the risk of injury, close supervision is necessary when an appliance is used near children.
- ▷ Do not put fingers or hands into a waste disposer.
- ▷ Turn the power switch to the off position before attempting to clear a jam or remove an object from the disposer.
- ▷ When attempting to loosen a jam in a waste disposer, use a long wooden object such as a wooden spoon or the wooden handle of a broom or mop.
- ▷ When attempting to remove objects from a waste disposer use long-handled tongs or pliers. If the disposer is magnetically actuated, non-magnetic tools should be used.
- ▷ To reduce the risk of injury by materials that may be expelled by a waste disposer, do not put the following into a disposer: clam or oyster shells; caustic drain cleaners or similar products; glass, china or plastic; large whole bones; metal, such as bottle caps, tin cans, aluminum foil or utensils; hot fat or other hot liquids; whole corn-husks.
- ▷ When not operating a disposer, leave the stopper in place to reduce the risk of objects falling into the disposer.
- ▷ DO NOT operate disposer unless splash guard is in place.
- ▷ For proper earthing instructions see the ELECTRICAL CONNECTIONS portion of this manual.
- ▷ **This Food Waste Disposer has been designed to operate on 220-240V~, 50/60 Hz exclusively. Using any other voltage or Hz adversely affects performance.**

The receptacle to which this appliance is connected must be controlled by a switch.

# ASSEMBLY PARTS



## REMOVAL OF OLD UNIT

TYPICAL INSTRUCTIONS, YOUR MODEL MAY VARY.

- ▷ Before starting this step, **turn off electrical power** at the circuit breaker or fuse box.
- ▷ **Unplug disposer.**

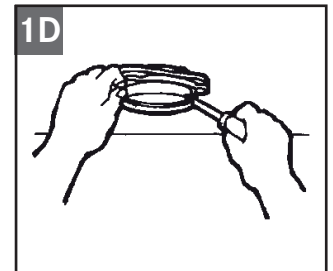
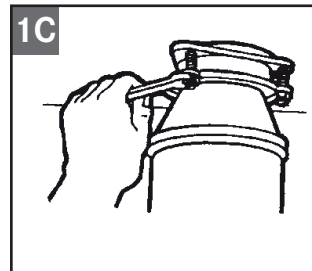
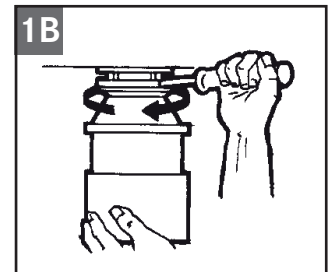
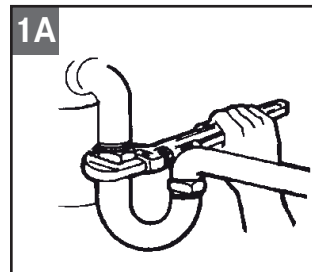
If your old mount is the same type as the mount on your new disposer, just reverse the assembly instructions found in INSTALLATION OF MOUNTING ASSEMBLY. If your new mount system is different, follow these instructions:

- ▶ Have a container available to catch any excess water / waste from current disposer.
- ▶ Use a pipe wrench to disconnect drain line where it attaches to disposer discharge elbow (fig. 1A).
- ▶ Remove disposer from sink flange by turning mounting ring to the left clockwise (fig. 1B). If you are unable to turn the mounting ring, tap on one of the extensions from the ring with a hammer. Some mounting systems have tubular extensions. Inserting a screwdriver into one tube will provide additional leverage for turning the mounting ring (fig. 1B). Some disposers may require the removal or loosening of nuts from the mounting screws (fig. 1C). Some disposers may require the removal of a clamp.

**CAUTION:** Be sure to support the disposer while performing this step or it may fall when the mounting ring is disconnected from the mounting assembly.

- ▶ To remove remaining mounting system from the sink, loosen the screws, push mounting ring up. Under it is the snap ring. Use screwdriver to pop off ring (fig. 1D). Remove the mounting ring, protector ring and gasket from sink flange. Some mounts will require the unscrewing of a large ring holding the sink flange in place. Pull sink flange up through sink and clean off old putty from sink.
- ▶ Ensure that sink is clean and thoroughly dry.

**IMPORTANT:** This is a good time to clean out the trap and drain lines by running a drain auger or plumber's snake before installing your new disposer.

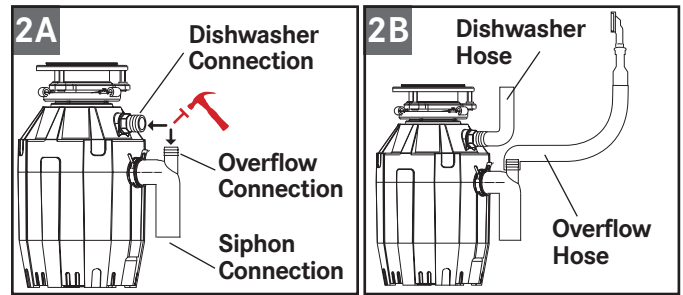


## PLUMBING CONNECTION

If dishwasher and/or overflow is **not to be connected** go on to next section.

If you are utilizing a dishwasher, this should preferably be connected directly to the relevant connection in the siphon. If a dishwasher connection is not available in the siphon, complete the following procedure:

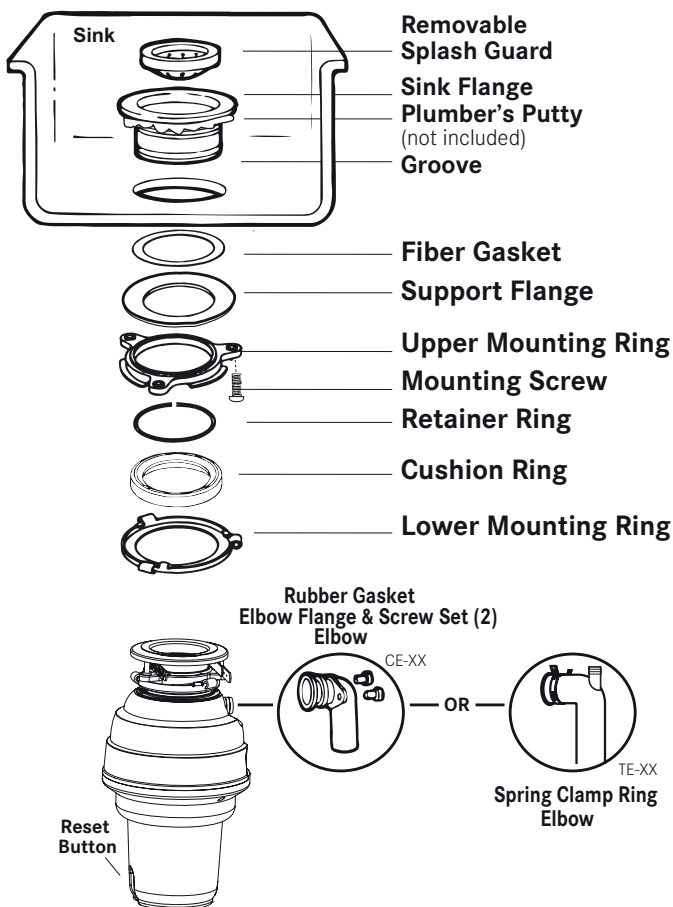
- ▶ Using a blunt instrument (steel punch or wooden dowel), knock out entire plug (fig. 2A). Do not use a screwdriver or sharp instrument. (When knockout plug falls into disposer, you may remove it or grind it up when the disposer is used. This will not damage the disposer in any way, but may take some time to grind).



- ▶ Connect overflow hose (fig. 2B) using hose clamp. If hose size is different, you need a stepped rubber adaptor.
- ▶ Connect dishwasher hose (fig. 2B) using hose clamp. Make sure all plumbing connections are tight and in accordance with all plumbing codes and ordinances. Run water and check for leaks.

## INSTALLATION OF MOUNTING ASSEMBLY

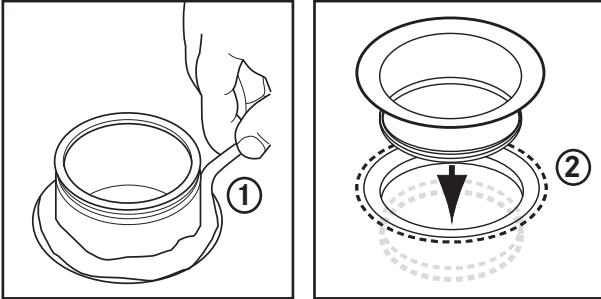
3



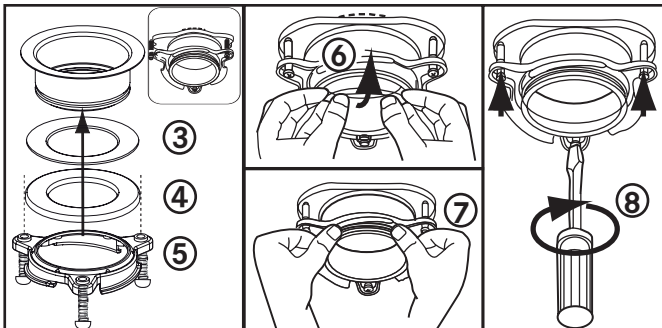
**NOTE:** The mounting components are assembled out of the box in the same order they will be assembled on the sink, so please pay close attention to the order of the mounting system components before you disassemble them.

- ▶ **The cushion ring and the lower mounting ring will remain attached to the disposer during installation.** Disassemble the other components of the mounting assembly by rotating lower mounting ring clockwise until the lower mounting ring tabs slide off from the upper mounting ring ramp. This will allow you to separate the upper assembly from the remaining lower mounting assembly.
- ▶ Unscrew the 3 mounting screws until the upper mounting ring can be moved to the top of the support flange. Remove the retainer ring with a screw driver.
- ▶ Keep the remaining parts placed together in the order they were removed. Before you connect the disposer to the mounting assembly under the sink, make sure the lower mounting ring is in place and the black cushion ring is still engaged properly to the top of the disposer opening. (Do not remove the cushion ring.)

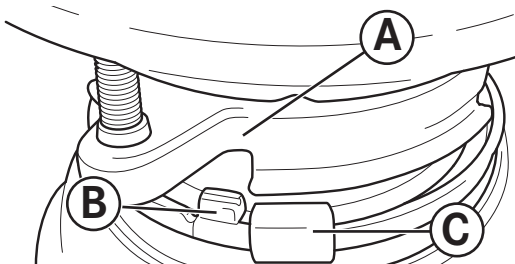
- ▶ Be sure the sink is clean. Install a bead of plumbers putty to the sink flange (1). From top of the sink, push the sink flange down against the sink opening to make a good seal (2). **Do not move or rotate** the sink flange once it has been seated or the seal may be broken.



- ▶ Place a heavy object, such as the disposer (use a towel to prevent sink scratching) on top of the sink flange to hold it down.
- ▶ Take the remaining portion of the mounting assembly, that was put aside. From under the sink insert the fibre gasket (3), then the support flange (4), and then the upper mounting ring (5).
- ▶ Hold the three parts in place while attaching the retainer ring (6) by pulling it apart and sliding it into the groove of the sink flange (7) until it snaps into the groove of the sink flange (7).



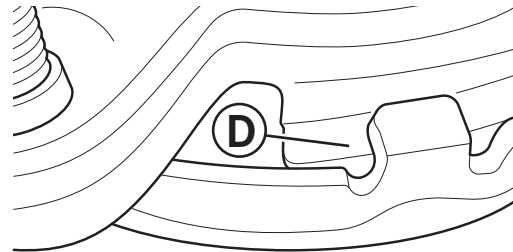
- ▶ Tighten the three mounting screws evenly and firmly against the supporting flange (8). Do not over tighten.
- ▶ Trim off any excess plumber's putty.
- ▶ Attach disposer onto the upper mounting ring by aligning the three mounting tabs on the lower mounting ring with the slide-up ramps on the upper mounting ring and rotating counter clockwise.



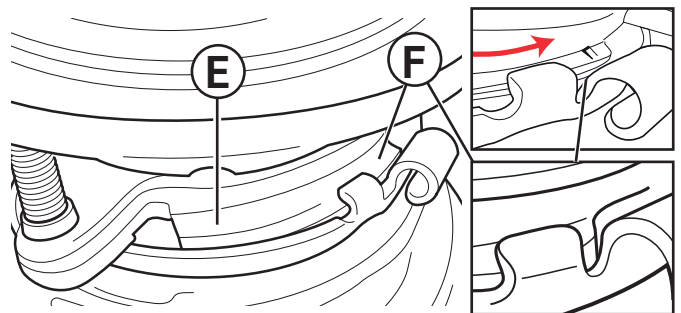
- ▶ The lower mounting ring (which is part of the disposer) has 3 tabs that grab the mounting ring ramp.

- (A) points to the upper mounting ring.
- (B) is the tab that slides up onto the "Ramp".
- (C) is the „Ear“ that is used to help rotate the lower mounting ring.

- ▶ Use a screwdriver for leverage if needed.



- ▶ Lift and turn the lower mounting ring counter clockwise until all three mounting tabs lock over the ridges (F) on the slide-up ramps (D) of the upper mounting ring.




- ▶ As the lower mounting ring is turned counter clockwise each tab slides up onto the upper mounting ring ramp (E) and locks in position over the ridges (F).
- ▶ Use a screwdriver or hammer for leverage if needed.
- ▶ If a disposer needs to be removed, tapping on the Ear clockwise with a hammer will easily loosen the lower mounting ring.



## Electrical connection

- ▷ Connect disposer to appropriate household current only.

The receptacle to which this appliance is connected must be controlled by a switch.

 **WARNING:** Improper connection of the equipment-earthing conductor can result in a risk of **electric shock**. Check with a qualified electrician or serviceman if you are in doubt as to whether the appliance is **properly earthed**. Do not modify the plug provided with the appliance if it will not fit the outlet. Have a **proper outlet installed** by a qualified electrician.

### Earthing instructions

FOR WASTE DISPOSERS EQUIPPED WITH AN EARTHED PLUG-IN POWER CORD

- ▷ This appliance must be earthed. In the event of a malfunction or breakdown, earthing provides a path of least resistance for electric current to reduce the risk of electric shock. This appliance is equipped with a cord having an equipment-grounding conductor and a grounding plug.
- ▷ The plug must be plugged into an appropriate outlet that is properly installed and grounded in accordance with all local codes and ordinances.
- ▷ If the supply cord is damaged it must be replaced by the manufacturer, its service agent or similarly qualified person in order to avoid a hazard.

**Removing an attached power cord or plug voids the warranty.**

**The following UK Electrical Section is for United Kingdom only - skip if not applicable.**

WHEN USING THE ATTACHED PRE-WIRED MOULDED PLUG AND LEAD (fig. 3A)

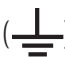
- ✓ These disposers are engineered to be connected to a 220/240 V~50/60 Hz electrical supply through the attached three-pin plug and into a wired socket.
- ✓ The disposer must be protected by a BS 1363 13 Amp fuse. The fuse is included within the molded plug and lead, attached to the disposer.
- ✓ The 13 Amp double pole switched spur switch should be positioned higher than the sink countertop and at a minimum of one meter from the side of the sink, away from water splashes and out of the reach of children. This spur switch must be a double pole with at least 3 mm contact separation in each pole. 20 Amp DP switches BS 3676 meet this condition.

- ✓ To avoid accidentally leaving the disposer running, a switch with a neon indicator lamp is suggested.
- ✓ A 13 Amp ASTA approved fuse, to BS 1363 must be fitted in the fuse carrier of this spur switch.

ELECTRICAL CONNECTIONS:


- ▶ Simply insert the plug into the socket wired as previously described.

WHEN NOT USING THE PRE-WIRED PLUG BUT WIRING DIRECT WITH FIXED WIRING (fig. 3B).

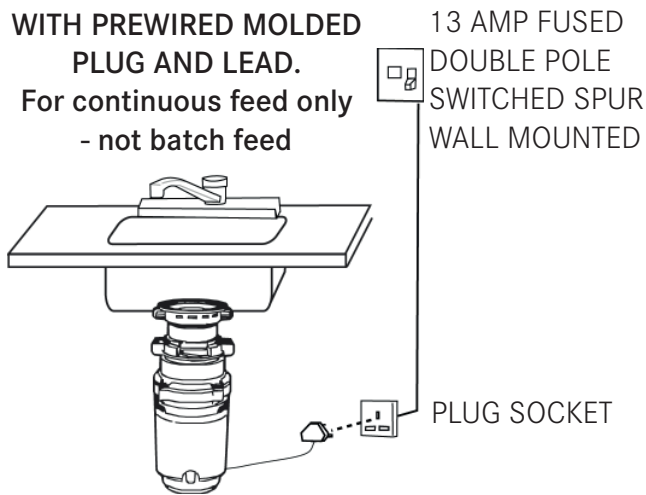
- ✓ The switches used must be double pole type and have at least a 3 mm contact separation in each pole (20 Amp DP switches to BS 3676 meet this requirement). Prepare the tips of the wires of the electrical lead and attach to the junction box.
- ✓ Disconnect the junction box from the electrical supply before making the following connections:
- ✓ The green and yellow wire must be connected to the terminal marked in one of the following ways:
  - with the letter "E"
  - by the earth symbol ()
  - coloured green or green and yellow.
- ✓ The brown wire must be connected to the terminal that is marked with the letter „L“.
- ✓ The blue wire must be attached to the terminal that is marked with the letter „N“.

**(NOTE:** As your disposer has a molded plug on the lead and the plug is not to be used, cut it off and dispose of it wisely. A moulded plug with a loose lead with disconnected wires can be hazardous as an **electrical shock hazard** could occur should such a plug be inserted into a 13 Amp socket anywhere within the home.)

### IS THE DISPOSER EARTHED?

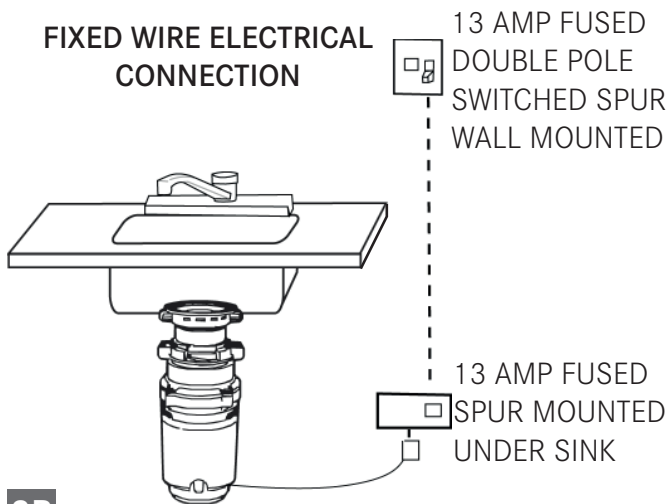
 **WARNING:** this appliance **must be earthed!** In the event of a malfunction of breakdown, earthing reduces the **risk of shock**. This disposer must be connected to an earthed, metal, permanent wiring conductor and connected to the equipment earthing terminal or lead on the disposer.

**ELECTRICAL CONNECTION  
FOR DISPOSER PROVIDED  
WITH PREWIRED MOLDED  
PLUG AND LEAD.  
For continuous feed only  
- not batch feed**



3A

**FIXED WIRE ELECTRICAL  
CONNECTION**



3B

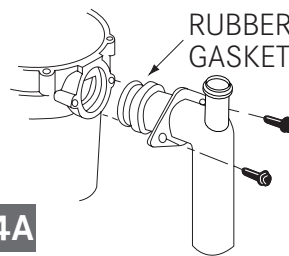
**Replacing the fuse in moulded plugs**

- ✓ The correct fuse cover must be refitted when changing the fuse.
- ✓ Remove the fuse cover and slide the fuse out.
- ✓ Replace it with a 13 Amp ASTA fuse (approved to BS 1363). Should the fuse cover be lost or damaged, an exact replacement should be used. These are available from an approved service agent, listed below. Never use the plug without the fuse cover fitted.

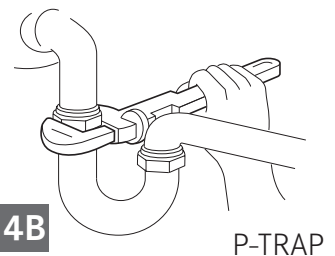
**Attaching discharge elbow**

MODELS CE-50, CE-75, TE-75S

- ▶ Connect the waste elbow to the disposer by sliding the flange against the rubber gasket on the elbow and tightening the screws into the disposer (fig. 4A). Then connect bottom of the elbow by tightening the slip nut (fig. 4B). If using a straight pipe, it must have a lip similar to the one on the elbow. Remove the gasket from the elbow and install it on the straight pipe with the flat end of the gasket facing toward the disposer discharge opening.



4A



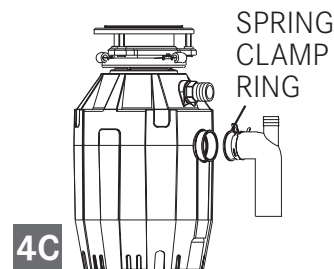
4B

P-TRAP

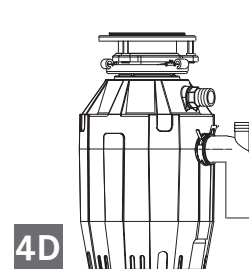
If you are connecting to a dishwasher, return to PLUMBING CONNECTION section (2A-B). If not, make sure all plumbing connections are tight and in accordance with all plumbing codes and ordinances. Run water and check for leaks.

MODELS TE-50, TE-75, TE-125, TE-125BF

- ▶ Depress the wings on the spring clamp to remove it from the rubber sleeve. Slip the spring clamp over the smooth side of the elbow and slide it towards the lipped side of the elbow (fig. 4C).
- ▶ Insert the waste elbow into the rubber sleeve so the elbow lip fits into the groove located inside the rubber sleeve. Position the spring clamp over the rubber sleeve and secure (fig. 4D). If using a straight pipe, use one with a lip matching the lip on the elbow supplied with the disposer.



4C



4D

- ▶ If you are connecting to a dishwasher, return to PLUMBING CONNECTION section (2A-B). If not, make sure all plumbing connections are tight and in accordance with all plumbing codes and ordinances. Run water and check for leaks.

## Air switch operated

### Disposer Air Switch Assembly

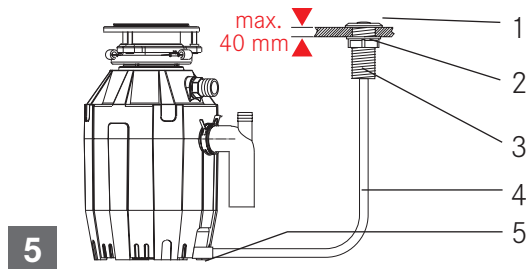
The Actuator which consists of:

1. Actuator Button
2. Actuator Nut
3. Actuator Outlet (Threaded portion)

THE AIR SWITCH SENSOR ENCLOSURE which is installed into the disposer. Only the air tube nozzle is visible from the outside of the disposer.

AIR TUBE ASSEMBLY which consists of:

4. Air Tube-Clear or black
5. Air Tube Nut



### Installation and Operating Instructions

- ▶ If a hole does not already exist - drill a hole of 35 mm to 40 mm into the sink or countertop where the actuator button (1) is to be placed.
- ▶ Insert, from the top, the actuator outlet through the drilled hole.
- ▶ Thread the actuator nut (2) onto the actuator outlet (3) and tighten firmly by hand.
- ▶ Firmly connect air tube: one side to actuator outlet (3) and one side to sensor inlet.
- ▶ Plug disposer power cord into main electrical service.
- ▶ To turn on disposer, press actuator button (1). To turn off, press actuator button again.

### Suggestions

- ▶ Be sure disposer is empty before using your dishwasher so it may drain properly.
- ▶ You may want to leave the stopper in the sink drain when not in use to prevent utensils and foreign objects from falling into the disposer.
- ▶ Your disposer is sturdily built to give you many years of trouble free service. It will handle all normal food wastes, but it will NOT grind or dispose of such items as plastic, tin cans, bottle caps, glass, china, leather, cloth, rubber, string, clam and oyster shells, aluminum foil or feathers.

## OPERATING INSTRUCTIONS

Your disposer is Continuous Feed if you did not specifically purchase a Batch Feed Disposer.

### Continuous feed

The Anti-Jam Swivel Impellers make a clicking sound as they initially swing into place. This indicates normal operation.

- ▶ Remove sink stopper. Turn on a medium flow of cold water.
- ▶ Turn switch to ON position; your motor will be turning at full speed and ready to use.
- ▶ Scrape in food waste. Down the drain go table scraps, peelings, rinds, seeds, pits, small bones and coffee grounds. To speed up food waste disposal, cut or break up large bones, rinds and cobs.

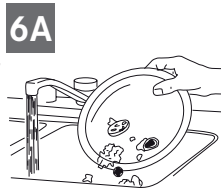
- ▶ Large bones and fibrous husks require considerable grinding time and are more easily thrown away with other trash. Do not be alarmed that the disposer slows down while grinding. The disposer is actually increasing torque (grinding power) and is operating under normal conditions.
- ▶ Before turning disposer off, let water and disposer run for approximately 15 seconds after shredding stops. This assures that all waste is thoroughly flushed through trap and drain.
- ▶ It is not recommended to use hot water while running disposer. Cold water will keep waste and fats solid so disposer can flush away particles.

## Batch feed

- ▶ Remove sink stopper. Turn on a medium flow of cold water.

- ▶ Scrape in food waste.

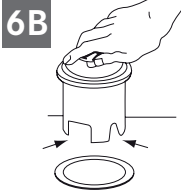
Down the drain go table scraps, vegetable peelings, cobs, rinds, pits, bones and coffee grounds (fig. 6A).



- ▶ Insert stopper to start disposer.

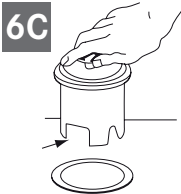
(fig. 6B). One of the two small slots in stopper base must line up with switch plunger inside the neck of the disposer.

Push down firmly to turn the disposer on. Lift stopper to shut the disposer off.



- ▶ Run disposer for 15 seconds after shredding stops. This ensures that all waste is thoroughly flushed through the drain.

- ▶ To fill sink, insert stopper and align the largest slot with the switch plunger (fig. 6C). Push down to seal sink without starting the disposer. When medium sized slot (fig. 6B) in stopper base is lined up with the switch plunger, water can drain, but tableware, etc., cannot be accidentally dropped into disposer.



### CAUTION

- ▷ Cold water recommended.
- ▷ Do not use the food waste disposer with hard materials like glass or metal.
- ▷ Turn the machine off or unplug it while trying to unblock a blocked turntable with a wooden spoon.

### DO NOT PUT INSIDE :

- Caustic Soda and drain cleaning chemicals (Hydrochloric and muriatic acid), as they cause serious corrosion of metal parts . If used, resulting damage can be easily detected and all warranties are void
- Fat and oil in excess
- Plastic materials
- Pumpkins
- Banana skin
- Leaves of pineapple
- Asparagus
- Artichokes
- Shell (es. oyster, mussel, ecc.)
- Medicine
- Metal (bottle top)
- Plastic pieces
- Cow bone a/o large bones

### TO BE PUT INSIDE:

- Corn cobs
- Little bones (es. chicken and rabbit bones)
- Nut shells
- Meat scraps
- Melon and watermelon skins
- Fruit pips
- Grape pips
- Rice
- Grounds of coffee
- Eggshells
- Fishbones
- Fish heads
- Pasta
- Vegetables or vegetable peel
- Cheese
- Bread
- Soup

## TROUBLESHOOTING

Before seeking repair or replacement, we recommend that you review the following:

**LOUD NOISES** (other than those during grinding of small bones and fruit pips): these are usually caused by accidental entry of a spoon, bottle cap or other foreign object.

- ▶ To correct this, turn off electrical switch and water. After disposer has stopped.

**UNIT DOES NOT START:**

- ▶ Unplug power cord or turn either the wall switch or breaker box switch to “OFF” position, depending on your model and wiring configuration.
- ▶ Remove stopper and /or splash guard. Check to see if turntable will rotate freely using a wooden broom handle. If turntable rotates freely, replace splash guard and check reset button to see if it has been tripped. Reset button is red and located opposite discharge elbow, near the bottom (fig. 3). Push button in until it clicks and remains depressed.
- ▶ If reset button has not been tripped, check for shorted or broken wire connecting to disposer. Check electrical power switch, fuse box or circuit breaker. If wiring and electrical components are intact, the unit may have internal problems that require service or replacement.

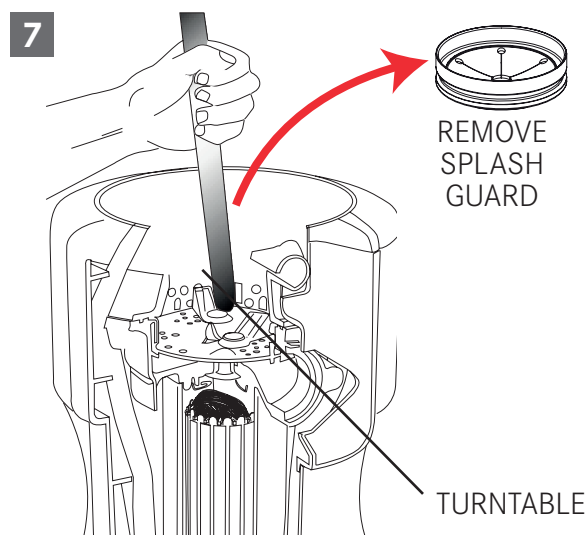
**IF TURNTABLE DOES NOT ROTATE FREELY:**

- ▶ Turn off disposer, then check for any foreign object lodged between the turntable and grind ring. Dislodge object by rotating table with a wooden broom handle and remove object (fig. 7). If no foreign object is present, there may be internal problems.

**LEAKS:** If the unit leaks at the top, it may be due to:

- Improper seating of sink flange (gasket centering, putty or tightening).
- Support ring not tightened properly.
- Defective or improperly installed cushion mount.

If unit leaks at the waste elbow, leak may be due to improper tightening of elbow flange screws.



## CLEANING AND MAINTENANCE

**DO NOT ATTEMPT TO LUBRICATE YOUR DISPOSER!**

The motor is permanently lubricated. The disposer is self cleaning and scours its internal parts with each use. **Never** put caustic soda or chemical drain cleaners, as hydrochloric and muriatic acid, products for unclogging the sink drain, into the disposer, as they cause serious corrosion of metal parts.

If used, resulting damage can be easily detected and all warranties are void. Mineral deposits from your water can form on the stainless steel turntable, giving the appearance of rust. **Do not** be alarmed, the stainless steel turntables used will not corrode.

## DISPOSAL

---



The symbol on the product or on the packaging indicates that the device must not be disposed of in the domestic waste.

By disposing of the device in a proper way you help to avoid harmful consequences to environment and health.

Further information about recycling the device is available from the competent authority, the local refuse disposal service or the vendor of the device.

- ▷ Dispose of the device, which is to be discarded, via a specialised waste collection point for electronic and electrical devices.

In accordance with the article of Legislative Decree no. 15 dated 25 July, Implementation of Directive 2002/96/EC regarding the reduction of the hazardous substances used in in electrical and electronic appliances, and waste disposal". The barred dustbin symbol on the appliance indicates that at the end of its working life the product must not be disposed of as household waste.

Consequently, when the appliance has reached the end of its working life the user must take it to a suitable recycling centre for electronic and electrotechnical waste, or return it to the dealer when purchasing a new appliance of equivalent type.

Proper separate waste collection of the scrapped appliance for subsequent recycling, treatment and environmentally-friendly disposal helps prevent a potentially negative impact on the environment and health and facilitates recycling of the materials used in appliance construction.

The food waste disposer is for domestic use only.

# INHALTSVERZEICHNIS

---


Zu dieser Gebrauchsanleitung	16
Bestimmungsgemäße Verwendung	16
Sicherheitshinweise	17
Montageteile	18
Ausbau der alten Einheit	19
Anschluss der Leitungen	20
Installation der Montageeinheit	20
Elektrischer Anschluss	22
Montage des Ausflusswinkelstücks	22
Betätigung mit Luftschalter	23
Betriebsanweisung	24
Kontinuierliche Zufuhr	24
Portionsweise Zufuhr	24
Fehlersuche	25
Reinigung und pflege	26
Entsorgung	26

## ZU DIESER GEBRAUCHSANLEITUNG

Diese Bedienungsanleitung gilt für verschiedene Modelle des Geräts. Auf diese Weise ist es möglich, dass einige der beschriebenen Merkmale und Funktionen an Ihrem spezifischen Modell nicht verfügbar sind.

FRANKE behält sich das Recht vor, Änderungen am Produkt ohne vorherige Ankündigung vorzunehmen. Alle Informationen waren zum Zeitpunkt der Veröffentlichung korrekt.

- ▶ Bewahren Sie die Bedienungsanleitung auf.
- ▶ Benutzen Sie das in dieser Bedienungsanleitung beschriebene Gerät nur gemäß der bestimmungsgemäßen Verwendung.

Symbol	Bedeutung
	Warnzeichen. Warnung vor Verletzungsgefahren..
▷	Maßnahmen in Sicherheits- und Warnhinweisen zur Vermeidung von Schäden und Verletzungen.
▶	Handlung. Hier müssen Sie etwas tun.
■	Resultat. Ergebnis einer oder mehrerer Handlungen.
✓	Voraussetzung, die vor dem Ausführen der folgenden Handlung erfüllt sein muss.

## BESTIMMUNGSGEMÄSSE VERWENDUNG

Der Speisereste-Entsorger ist ein elektrisches Gerät, das unter dem Spülbecken installiert werden muss, um Speisereste zu zerkleinern.

Vergewissern Sie sich, dass die Installation des Speisereste-Entsorgers offiziell gestattet ist.

- ▷ Verwenden Sie den Entsorger ausschließlich für Speisereste



## SICHERHEITSHINWEISE

ANWEISUNGEN ZUM RISIKO VON BRÄNDEN,  
STROMSCHLÄGEN ODER VERLETZUNGEN.



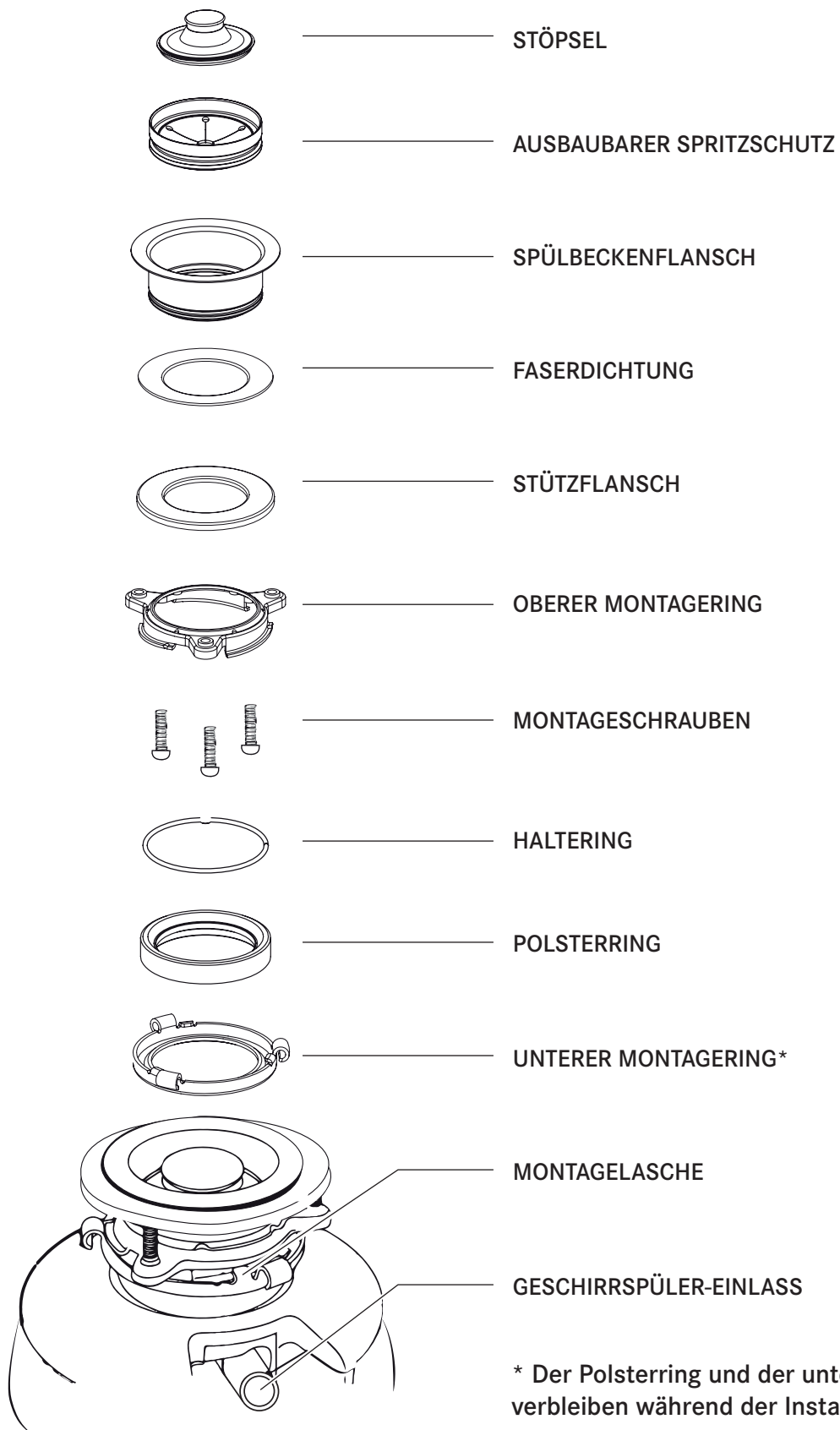
**WARNUNG:** Bei der Verwendung von Elektrogeräten sollten unter anderem die folgenden grundlegenden

Vorsichtsmaßnahmen befolgt werden:

- ▷ Lesen Sie alle Anweisungen, bevor Sie das Gerät verwenden.
- ▷ Um die Verletzungsgefahr zu verringern, muss das Gerät strikt überwacht werden, wenn es in der Nähe von Kindern verwendet wird.
- ▷ Fassen Sie nicht mit den Fingern oder Händen in einen Speisereste-Entsorger.
- ▷ Drehen Sie den Stromschalter in die Position AUS, bevor Sie versuchen, eine Verstopfung zu beseitigen oder einen Gegenstand aus dem Entsorger zu entfernen.
- ▷ Wenn Sie versuchen, eine Verstopfung in einem Speisereste-Entsorger zu lösen, verwenden Sie einen langen Gegenstand aus Holz wie einen Holzlöffel oder den Holzgriff eines Besens oder Wischmopps.
- ▷ Wenn Sie versuchen, Gegenstände aus einem Speisereste-Entsorger zu entfernen, verwenden Sie eine Zange mit langem Griff. Falls der Entsorger magnetisch betätigt wird, sollten nichtmagnetische Werkzeuge verwendet werden.
- ▷ Um das Verletzungsrisiko durch Materialien zu verringern, die aus einem Speisereste-Entsorger herausgeschleudert werden können, dürfen Sie Folgendes nicht in einen Entsorger geben: Muschel- oder Austernschalen; ätzende Abflussreiniger oder ähnliche Produkte; Glas, Porzellan oder Kunststoff; große ganze Knochen; Metall wie Flaschenverschlüsse, Blechdosen, Aluminiumfolie oder Küchengeräte aus Aluminium; heißes Fett oder andere heiße Flüssigkeiten; ganze Maiskolben.
- ▷ Falls der Entsorger nicht betrieben wird, lassen Sie den Stöpsel eingesetzt, um das Risiko zu verringern, dass Gegenstände in den Entsorger fallen.
- ▷ Betreiben Sie den Entsorger NUR DANN, wenn ein Spritzschutz vorhanden ist.
- ▷ Informationen zur ordnungsgemäßen Erdung finden Sie im Abschnitt ELEKTRISCHER ANSCHLUSS dieses Handbuchs.
- ▷ **Dieser Speisereste-Entsorger wurde ausschließlich für den Betrieb mit 220-240 V~, 50/60 Hz entwickelt. Die Verwendung einer anderen Spannung oder Frequenz wirkt sich negativ auf die Leistung aus.**

Das Gefäß, mit dem dieses Gerät verbunden ist, muss durch einen Schalter gesteuert werden.

# MONTAGETEILE



## AUSBAU DER ALTEN EINHEIT

TYPISCHE ANWEISUNGEN, IHR MODELL KANN ABWEICHEN.

- ▷ Bevor Sie mit diesem Schritt beginnen, **schalten Sie die Stromversorgung** am Schutzschalter oder Sicherungskasten aus.
- ▷ **Stecken Sie den Entsorger aus.**

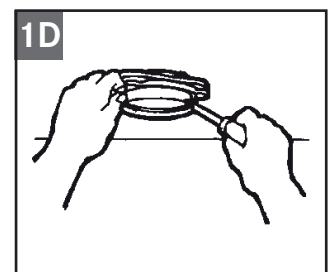
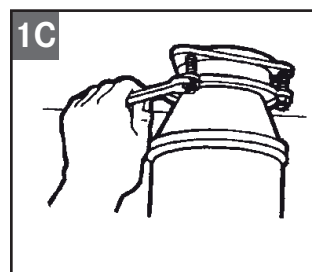
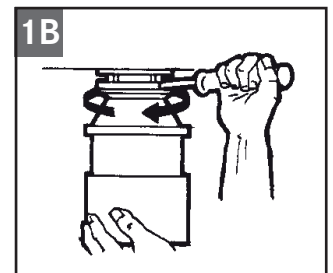
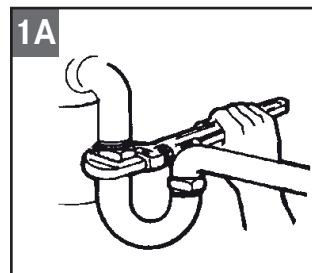
Wenn Ihre alte Befestigung denselben Typ wie die Befestigung an Ihrem neuen Entsorger aufweist, müssen Sie lediglich die Montageanweisungen in umgekehrter Reihenfolge ausführen, die im Abschnitt zur INSTALLATION DER MONTAGEEINHEIT enthalten sind. Wenn Ihr neues Befestigungssystem vom bisherigen System abweicht, müssen Sie diese Anweisungen befolgen:

- ▶ Halten Sie einen Behälter bereit, um überschüssiges Wasser/Abfall aus dem aktuellen Entsorger aufzufangen.
- ▶ Verwenden Sie einen Rohrschlüssel, um die Ablaufleitung von der Verbindungsstelle mit dem Ausflusswinkelstück des Entsorgers zu trennen (Abb. **1A**).
- ▶ Entfernen Sie den Entsorger vom Spülbeckenflansch, indem Sie den Montagering im Uhrzeigersinn nach links drehen (Abb. **1B**). Wenn Sie den Montagering nicht drehen können, klopfen Sie mit einem Hammer auf eine der Verlängerungen des Rings. Einige Montagesysteme weisen rohrförmige Verlängerungen auf. Wenn Sie einen Schraubendreher in ein Rohr einsetzen, erhalten Sie einen zusätzlichen Ansatzpunkt zum Drehen des Montagerings (Abb. **1B**). An einigen Entsorgern müssen möglicherweise die Muttern an den Montageschrauben entfernt oder gelockert werden (Abb. **1C**). An einigen Entsorgern ist möglicherweise der Ausbau einer Klemme erforderlich.

**ACHTUNG:** Sie müssen den Entsorger beim Ausführen dieses Schritts abstützen, da er anderenfalls herabfallen könnte, wenn der Montagering von der Montagebaugruppe getrennt wird.

- ▶ Um das verbleibende Montagesystem aus dem Spülbecken auszubauen, lösen Sie die Schrauben und drücken Sie den Montagering nach oben. Darunter befindet sich der Sicherungsring. Verwenden Sie einen Schraubendreher, um den Ring abzuheben (Abb. **1D**). Entfernen Sie den Montagering, den Schutzring und die Dichtung vom Spülbeckenflansch. An einigen Montagesystemen muss ein großer Ring abgeschraubt werden, der den Spülbeckenflansch an seinem Einbauort hält. Ziehen Sie den Spülbeckenflansch durch das Spülbecken nach oben und beseitigen Sie den alten Dichtungskitt vom Spülbecken.
- ▶ Vergewissern Sie sich, dass das Spülbecken sauber und vollständig trocken ist.

**WICHTIG:** Dies ist der richtige Zeitpunkt, um die Geruchsfalle und die Ablaufleitungen mit einer Abfluss- oder Rohrreinigungsspirale zu reinigen, bevor der neue Entsorger installiert wird.

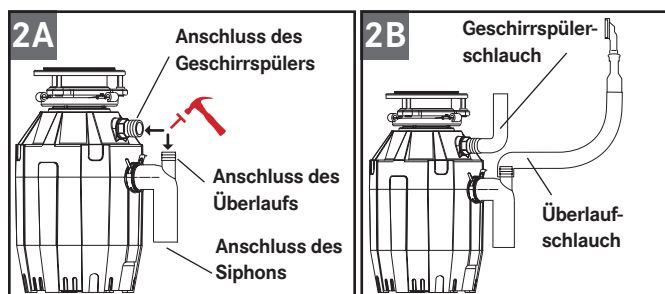


## ANSCHLUSS DER LEITUNGEN

Wenn der Geschirrspüler und/oder Überlauf nicht angeschlossen werden muss, gehen Sie zum nächsten Abschnitt.

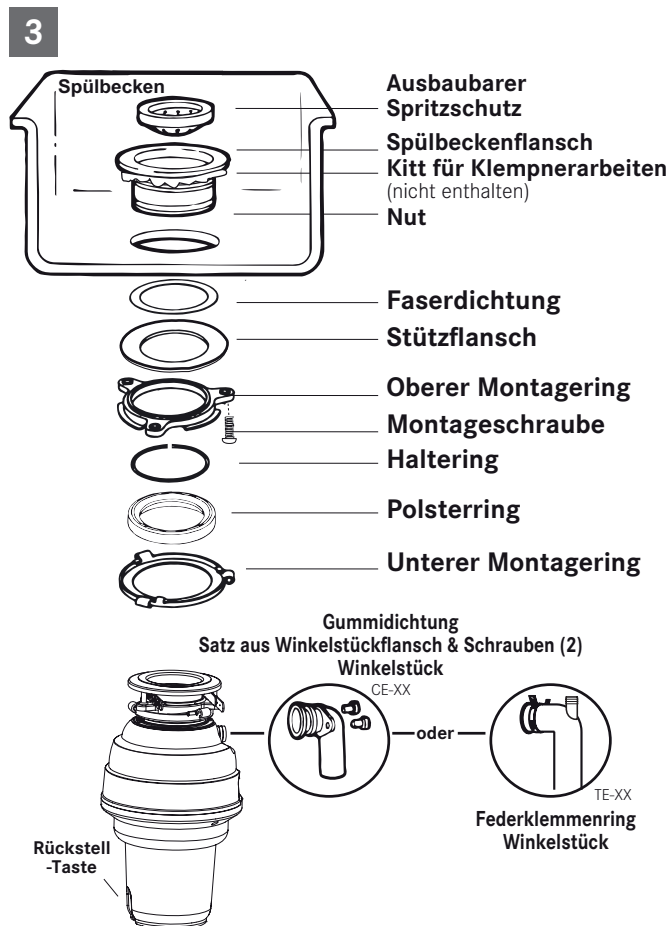
Wenn Sie einen Geschirrspüler verwenden, sollte dieser vorzugsweise direkt mit dem relevanten Anschluss im Siphon verbunden werden. Wenn im Siphon kein Anschluss für einen Geschirrspüler vorhanden ist, gehen Sie wie folgt vor:

- Klopfen Sie mit einem stumpfen Werkzeug (wie einem Stahlkürner oder einem Holzdübel) den gesamten Stopfen heraus (Abb. 2A). Verwenden Sie dazu keinesfalls einen Schraubendreher oder ein scharfes Werkzeug. (Wenn der Stopfen nach dem Heraus klopfen in den Entsorger fällt, müssen Sie ihn entweder entfernen oder beim Betrieb des Entsorgers zerkleinern. Dadurch wird der Entsorger keinesfalls beschädigt, allerdings erfordert die Zerkleinerung eine gewisse Zeit).



- Verbinden Sie den Überlaufschlauch (Abb. 2B) mithilfe der Schlauchschelle. Wenn die Schlauchgröße abweicht, benötigen Sie einen abgesetzten Gummiadapter.
- Verbinden Sie den Geschirrspülerschlauch (Abb. 2B) mithilfe der Schlauchschelle. Vergewissern Sie sich, dass alle Leitungsanschlüsse dicht sind und alle relevanten Vorschriften für Klempnerarbeiten erfüllen. Lassen Sie das Wasser laufen und prüfen Sie auf Leckagen.

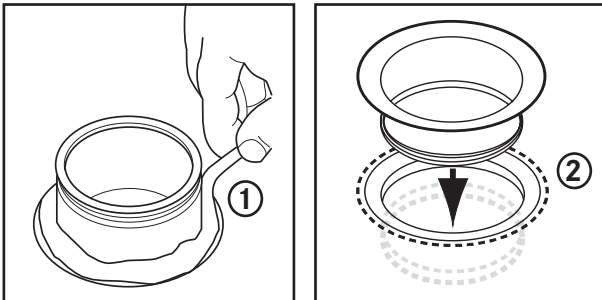
## INSTALLATION DER MONTAGEEINHEIT



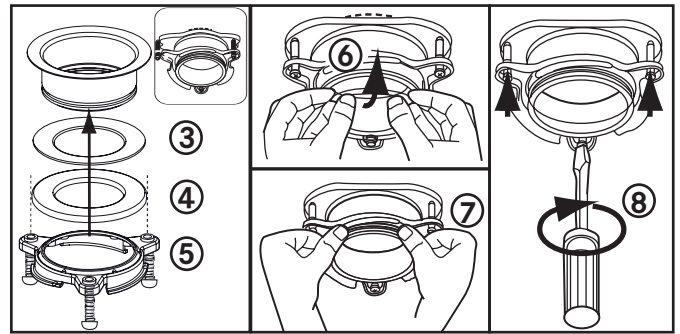
**HINWEIS:** Die Montagekomponenten sind im Lieferzustand in derselben Reihenfolge zusammengebaut, in der sie im Spülbecken zusammengebaut werden. Achten Sie daher genau auf die Reihenfolge der Komponenten des Montagesystems, bevor Sie diese zerlegen.

- **Der Polsterring und der untere Montagering verbleiben während der Installation am Entsorger.** Zerlegen Sie die anderen Komponenten der Montageeinheit, indem Sie den unteren Montagering im Uhrzeigersinn drehen, bis die unteren Montageringlaschen von der Rampe des oberen Montagerings gleiten. Dadurch können Sie die obere Einheit von der verbleibenden unteren Montageeinheit trennen.
- Lösen Sie die 3 Montageschrauben bis der obere Montagering an die Oberseite des Stützflansches bewegt werden kann. Lösen Sie den Haltering mit einem Schraubendreher.

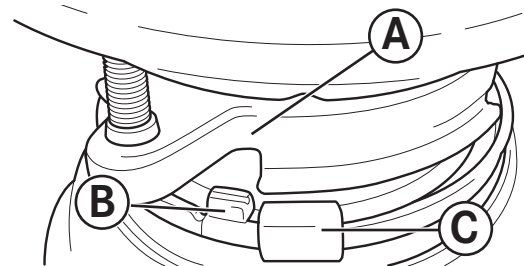
- ▶ Bewahren Sie die verbleibenden Teile in der Reihenfolge auf, in der sie ausgebaut wurden. Bevor Sie den Entsorger mit der Montageeinheit unter dem Spülbecken verbinden, müssen Sie sich vergewissern, dass sich der untere Montagering an seinem Einbauort befindet und dass der schwarze Polsterring weiterhin ordnungsgemäß an der Oberseite der Entsorgeröffnung eingesetzt ist. (Entfernen Sie nicht den Polsterring.)
- ▶ Prüfen Sie, dass Ihr Spülbecken sauber ist. Bringen Sie einen Strang aus Kitt für Klempnerarbeiten am Spülbeckenflansch an (1). Drücken Sie von der Oberseite des Spülbeckens den Spülbeckenflansch nach unten gegen die Spülbeckenöffnung, um eine gute Abdichtung zu gewährleisten (2). **Bewegen oder drehen Sie** den Spülbeckenflansch nicht mehr, nachdem er eingesetzt wurde, da anderenfalls die Dichtung beschädigt werden könnte.



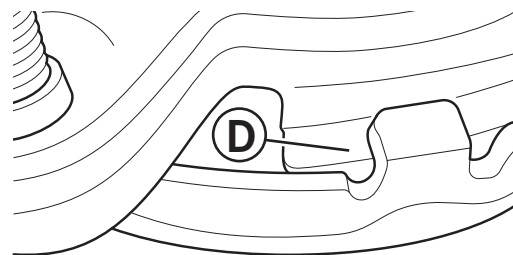
- ▶ Stellen Sie einen schweren Gegenstand wie den Entsorger (verwenden Sie ein Handtuch, um das Spülbecken nicht zu zerkratzen) oben auf den Spülbeckenflansch, um ihn in der unteren Position zu halten.
- ▶ Nehmen Sie den verbleibenden Teil der Montageeinheit, der zur Seite gelegt wurde. Setzen Sie von unterhalb des Spülbeckens die Faserdichtung ein (3), gefolgt vom Stützflansch (4) und dem oberen Montagering (5).
- ▶ Halten Sie die 3 Teile an ihrem Ort, während Sie den Haltering (6) anbringen. Ziehen Sie den Haltering zu diesem Zweck auseinander und schieben Sie ihn auf den Spülbeckenflansch (7), bis er in die Nut des Spülbeckenflansches (7) einrastet.



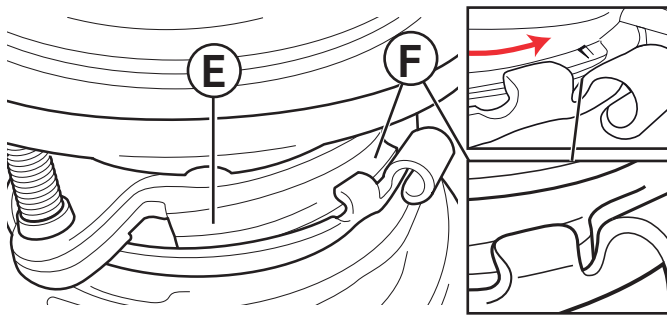
- ▶ Ziehen Sie die 3 Montageschrauben gleichmäßig und fest am Stützflansch (8) an. Ziehen Sie die Schrauben nicht zu fest an.
- ▶ Schaben Sie jeglichen überschüssigen Kitt ab.
- ▶ Bringen Sie den Entsorger auf dem oberen Montagering an, indem Sie die 3 Montagelaschen auf dem unteren Montagering an den Aufschieberampen auf dem oberen Montagering ausrichten und entgegen dem Uhrzeigersinn drehen.



- ▶ Der untere Montagering (der Bestandteil des Entsorgers ist) hat 3 Laschen, die an der Rampe des Montagerings einrasten (A) zeigt zum oberen Montagering. (B) ist die Lasche, die auf die „Rampe“ gleitet. (C) ist die Öse, mit der die Drehung des unteren Montagerings unterstützt wird.
- ▶ Verwenden Sie bei Bedarf einen Schraubendreher als Hebel.



- ▶ Heben Sie den unteren Montagering an und drehen Sie ihn entgegen dem Uhrzeigersinn, bis alle 3 Montagelaschen über den Außenkanten (F) auf den Aufschieberampen (D) des oberen Montagerings verriegeln.



- ▶ Beim Drehen des unteren Montagerings entgegen dem Uhrzeigersinn gleitet jede Lasche auf die Rampe des oberen Montagerings (E) und wird über den Außenkanten (F) in ihrer Position verriegelt.
- ▶ Verwenden Sie bei Bedarf einen Schraubendreher oder Hammer als Hebel.
- ▶ Wenn ein Entsorger ausgebaut werden muss, kann der untere Montagering auf einfache Weise gelöst werden, wenn mit einem Hammer im Uhrzeigersinn auf die Öse geklopft wird.

## Elektrischer Anschluss

- ▷ Sie dürfen den Entsorger ausschließlich mit einer geeigneten Stromversorgung für Haushalte verbinden.

Das Gefäß, mit dem dieses Gerät verbunden ist, muss durch einen Schalter gesteuert werden.

**! WARNUNG:** Unsachgemäßer Anschluss des Erdungsleiters der Ausrüstung kann zu **Stromschlaggefahr** führen. Prüfen Sie die Erdung gemeinsam mit einem qualifizierten Elektriker oder Kundendiensttechniker, wenn Sie sich nicht sicher sind, ob das Gerät **ordnungsgemäß geerdet ist**. Nehmen Sie keine Änderungen am mitgelieferten Stecker des Geräts vor, wenn der Stecker nicht in die Steckdose passt. Lassen Sie **die richtige Steckdose** durch einen qualifizierten Elektriker installieren.

**Anweisungen für die Erdung FÜR SPEISERESTE-ENTSORGER, DIE MIT EINEM GEERDETEN STECKER-NETZKABEL AUSGERÜSTET SIND.**

- ▷ Dieses Gerät muss geerdet werden. Im Falle von Fehlfunktionen oder Defekten stellt die Erdung dem elektrischen Strom einen Weg des geringsten Widerstands bereit, um die Stromschlaggefahr zu verringern. Dieses Gerät ist mit einem Stromkabel ausgerüstet, das über einen Schutzleiter und einen Stecker mit Schutzkontakt verfügt.

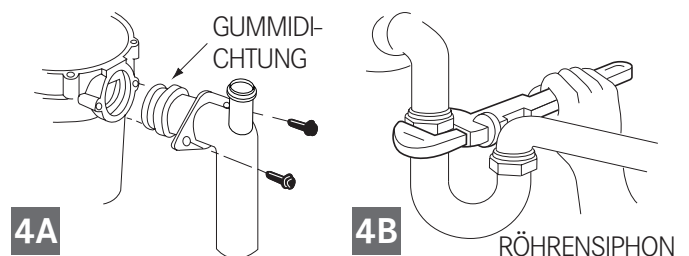
- ▷ Der Stecker muss in eine geeignete Steckdose gesteckt werden, die laut allen vor Ort gültigen Vorschriften und Gesetzen installiert und geerdet wurde.
- ▷ Falls das Netzkabel beschädigt ist, muss es durch den Hersteller, dessen Kundendienstvertreter oder eine Person mit ähnlicher Qualifikation ersetzt werden, um Gefahren zu vermeiden.

**Wenn die angebrachten Netzkabel oder Stecker entfernt werden, hat dies den Garantieverlust zur Folge.**

## Montage des Ausflusswinkelstücks

MODELLE CE-50, CE-75, TE-75S

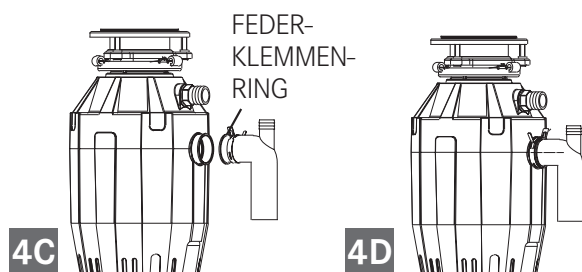
- ▶ Verbinden Sie das Ausflusswinkelstück mit dem Entsorger, indem Sie den Flansch gegen die Gummidichtung auf dem Winkelstück gleiten lassen und die Schrauben in den Entsorger anziehen (Abb. 4A). Verbinden Sie dann die Unterseite des Winkelstücks durch Anziehen der Überwurfmutter (Abb. 4B). Wenn Sie ein gerades Rohr verwenden, muss dessen Lippe der Lippe auf dem Winkelstück ähneln. Entfernen Sie die Dichtung aus dem Winkelstück und montieren Sie sie auf dem geraden Rohr, wobei das ebene Ende der Dichtung in Richtung der Ausflussöffnung des Entsorgers zeigt.



Wenn Sie eine Verbindung mit einem Geschirrspüler herstellen, kehren Sie zum Abschnitt **ANSCHLUSS DER LEITUNGEN (2A-B)** zurück. Falls nicht, vergewissern Sie sich, dass alle Leitungsanschlüsse dicht sind und alle relevanten Vorschriften für Klempnerarbeiten erfüllen. Lassen Sie das Wasser laufen und prüfen Sie auf Leckagen.

## MODELLE TE-50, TE-75, TE-125, TE-125BF

- ▶ Drücken Sie auf die Flügel auf der Federklammer, um sie aus der Gummihülse zu entfernen. Lassen Sie die Federklammer über die glatte Seite des Winkelstücks gleiten und schieben Sie sie in Richtung der Seite des Winkelstücks mit der Lippe (Abb. 4C).
- ▶ Setzen Sie das Ausflusswinkelstück so in die Gummihülse ein, dass die Lippe am Winkelstück in die Nut innerhalb der Gummihülse passt. Positionieren Sie die Federklammer über der Gummihülse und sichern Sie sie (Abb. 4D). Falls Sie ein gerades Rohr verwenden, müssen Sie ein Rohr mit einer Lippe verwenden, die der Lippe am Winkelstück entspricht, das mit dem Entsorger ausgeliefert wurde.



- ▶ Wenn Sie eine Verbindung mit einem Geschirrspüler herstellen, kehren Sie zum Abschnitt ANSCHLUSS DER LEITUNGEN (2A-B) zurück. Falls nicht, vergewissern Sie sich, dass alle Leitungsanschlüsse dicht sind und alle relevanten Vorschriften für Klempnerarbeiten erfüllen. Lassen Sie das Wasser laufen und prüfen Sie auf Leckagen.

## Betätigung mit Luftschalter

### Entsorger-Luftschaltereinheit

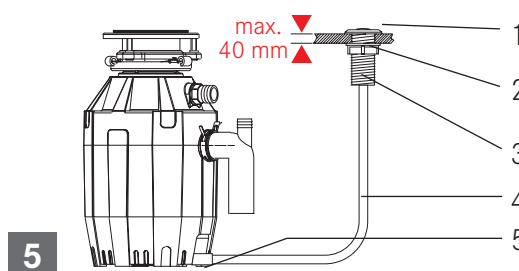
Stellglied aus folgenden Bestandteilen:

1. Stellglied-Taste
2. Stellglied-Mutter
3. Stellglied-Auslass (Gewindeabschnitt)

LUFTSCHALTER-SENSERGEHÄUSE, das im Entsorger installiert wird. Nur die Luftrohrdüse ist von außerhalb des Entsorgers sichtbar.

Luftrohr-Einheit aus folgenden Bestandteilen:

4. Luftrohr - klar oder schwarz
5. Luftrohr-Mutter



## Installation und Betriebsanweisung

- ▶ Wenn noch keine Bohrung vorhanden ist, müssen Sie ein Loch mit einem Durchmesser von 35 mm bis 40 mm in das Spülbecken oder die Arbeitsplatte an der Stelle bohren, an der die Stellglied-Taste (1) platziert werden soll.
- ▶ Setzen Sie von der Oberseite aus den Stellglied-Auslass durch das gebohrte Loch ein.
- ▶ Drehen Sie die Stellglied-Mutter (2) auf den Stellglied-Auslass (3) und ziehen Sie sie von Hand fest an.
- ▶ Bringen Sie das Luftrohr fest an: eine Seite zum Stellglied-Auslass (3) und eine Seite zum Sensoreinlass.
- ▶ Verbinden Sie den Stecker des Entsorger-Netzkabels mit der Netzstromversorgung.
- ▶ Drücken Sie die Stellglied-Taste (1), um den Entsorger einzuschalten. Drücken Sie die Stellglied-Taste nochmals, um ihn wieder auszuschalten.

## Empfehlungen

- ▶ Vergewissern Sie sich vor der Verwendung Ihres Geschirrspülers, dass der Entsorger leer ist, damit das Wasser ordnungsgemäß abfließen kann.
- ▶ Es empfiehlt sich, den Stöpsel im Spülbeckenabfluss zu belassen, wenn er nicht in Gebrauch ist. Dadurch wird vermieden, dass Küchengeräte und Fremdkörper in den Entsorger fallen.
- ▶ Ihr Entsorger ist solide gebaut, damit Sie ihn viele Jahre lang problemlos nutzen können. Er kommt mit allen normalen Küchenabfällen zurecht, kann jedoch Folgendes NICHT zerkleinern oder entsorgen: Kunststoff, Blechdosen, Flaschenverschlüsse, Glas, Porzellan, Leder, Stoff, Gummi, Schnüre, Muschel- und Austernschalen, Aluminiumfolie oder Federn.

# BETRIEBSANWEISUNG

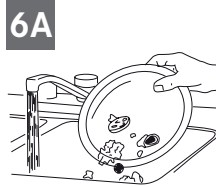
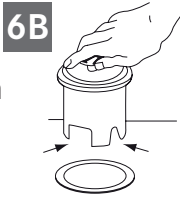
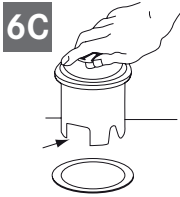
Ihr Entsorger unterstützt die kontinuierliche Zufuhr, wenn Sie nicht speziell einen Entsorger für die portionsweise Zufuhr erworben haben.

## Kontinuierliche Zufuhr

Die Transporträder mit schwenkbaren Mitnehmern als Einklemmschutz geben ein Klickgeräusch von sich, wenn sie zu Anfang in ihre Position schwenken. Dies ist ein Zeichen für den normalen Betrieb.

- ▶ Nehmen Sie den Spülbeckenstöpsel heraus. Drehen Sie das Kaltwasser mit mittlerem Durchfluss auf.
- ▶ Drehen Sie den Schalter auf ON (EIN); der Motor dreht sich jetzt mit voller Drehzahl und ist betriebsbereit.
- ▶ Geben Sie Speisereste hinein. Geeignet für dieses Gerät sind Tischabfälle, Obst- und Gemüseschalen, Rinden, Körner und Samen, Obstkerne, kleinere Knochen und Kaffeemehl. Um die Entsorgung der Speisereste zu beschleunigen, brechen oder hacken Sie große Knochen, Rinden und Maiskolben und größere Brocken in kleine Stücke. Große Knochen und faserhaltige leere Maiskolben und große Schalen benötigen viel Zeit, um gemahlen zu werden; es ist besser, sie mit anderem Abfall zu entsorgen. Der Entsorger scheint seine Drehzahl beim Mahlen zu verringern, das ist normal. Im Grunde erhöht der Entsorger aber seine Drehzahl (Mahlkraft) und arbeitet unter normalen Bedingungen.
- ▶ Bevor Sie den Entsorger ausschalten, lassen Sie das Wasser und den Entsorger noch circa 15 Sekunden laufen, nachdem das Zerschreddern aufgehört hat. Auf diese Weise wird sicher gestellt, dass der ganze Abfall durch die Geruchsfalle und den Abfluss hinunter gespült wird.
- ▶ Die Verwendung von warmem Wasser mit dem laufenden Entsorger wird nicht empfohlen. Es ist besser, kaltes Wasser zu verwenden, denn so bleiben Abfall und Fette in fester Form und lassen sich besser hinunter spülen.

## Portionsweise Zufuhr

- ▶ Nehmen Sie den Spülbeckenstöpsel heraus. Drehen Sie das Kaltwasser mit mittlerem Durchfluss auf.
- ▶ Geben Sie Speisereste hinein. **6A**  Geeignet für dieses Gerät sind Tischabfälle, Gemüseschalen, Maiskolben, Rinden, Körner, Knochen und Kaffeemehl (Abb. **6A**).
- ▶ Setzen Sie den Stöpsel ein, um den Entsorger (Abb. **6B**) zu starten. Einer der beiden kleinen Schlitze in der Stöpselbasis muss am Schaltstößel innerhalb des Halses des Entsorgers ausgerichtet werden. Drücken Sie den Stöpsel fest nach unten, um den Entsorger einzuschalten. Heben Sie den Stöpsel an, um den Entsorger auszuschalten. **6B** 
- ▶ Lassen Sie den Entsorger 15 Sekunden lang laufen, nachdem die Zerkleinerung beendet wurde. Auf diese Weise wird sichergestellt, dass der ganze Abfall durch den Abfluss hinuntergespült wird.
- ▶ Um das Spülbecken zu befüllen **6C**  setzen Sie den Stöpsel ein und richten Sie den größten Schlitz am Schaltstößel aus. (Abb. **6C**) Drücken Sie den Stöpsel nach unten, um das Spülbecken abzudichten, ohne den Entsorger zu starten. Wenn der Schlitz mittlerer Größe (Abb. **6B**) in der Stöpselbasis am Schaltstößel ausgerichtet ist, kann Wasser ablaufen, aber Geschirr usw. kann nicht versehentlich in den Entsorger fallen.



### ACHTUNG

- ▷ Kaltes Wasser empfohlen.
- ▷ Verwenden Sie den Speisereste-Entsorger niemals für harte Materialien wie Glas oder Metall.
- ▷ Schalten Sie die Maschine aus und ziehen Sie den Stecker aus der Steckdose, wenn Sie versuchen, einen blockierten Drehteller mit einem Holzlöffel freizubekommen.



**DAS DARF NICHT HINEIN:**

- Lauge und chemische Abflussreiniger (Hydrochlorsäure und Salzsäure), da diese die Metallteile ernsthaft korrodieren würden. Wenn Sie dennoch diese Reiniger verwendet haben, so ist der entstandene Schaden sehr leicht zu erfassen und die Garantie damit erloschen
- Zu viele Öle und Fette
- Kunststoffmaterialien
- Kürbisse
- Bananenschalen
- Ananasblätter
- Spargel
- Artischocken
- Schalen (Muschel-/Austernschalen aller Art)
- Medikamente
- Metall (Flaschenverschlüsse)
- Plastikteile
- Rindsknochen und Knochen ähnlicher Größe

**DAS DARF HINEIN:**

- Maiskolben zerkleinert
- Kleine Knöchelchen (von Hähnchen, Kaninchen usw.)
- Nussschalen
- Kleinere Fleischreste
- Melonenschalen, Wassermelone
- Kernchen/Samen von Obst
- Traubenkerne und -schalen
- Reiskörner
- Kaffeebohnen
- Eierschalen
- Fischgräten
- Fischköpfe
- Nudeln
- Gemüse oder Gemüseschalen
- Käse
- Brot
- Suppe

## FEHLERSUCHE

---

Bevor Sie eine Reparatur oder einen Austausch angehen, empfehlen wir Ihnen, Folgendes zu prüfen:

**LAUTE GERÄUSCHE** (nicht die Geräusche, die beim Mahlen von kleineren Knochen oder Obstkernen entstehen): diese lauten Geräusche entstehen in der Regel, wenn versehentlich eine Gabel, ein Löffel, ein Flaschenverschluss oder andere Fremdobjekte in das Gerät gelangt sind.

- ▶ Um dies zu beheben, schalten Sie das Gerät aus und das Wasser ab. Wenn der Entsorger zum Stillstand gekommen ist.

**WENN DAS GERÄT NICHT STARTET:**

- ▶ Ziehen Sie den Stecker aus der Steckdose und drehen Sie den Wandschalter oder den Schalter des Sicherungskastens in die Aus-Position „OFF“, je nach Modell und nach der Konfiguration der Verdrahtung.
- ▶ Entfernen Sie den Stöpsel Entfernen Sie den Stöpsel. Prüfen Sie mit dem Holzstiel eines Besens, ob sich der Drehteller frei drehen lässt. Lässt sich der Drehteller frei drehen, ersetzen Sie den Spritzschutz und prüfen Sie die Rückstell-Taste „Reset“, um zu sehen, ob sie ausgelöst wurde. Die Rückstell-Taste „Reset“ ist rot und befindet sich am gegenüber liegenden Auslass-Winkelstück, relativ unten (siehe A).

Drücken Sie die Taste hinein, bis sie klickt und gedrückt bleibt. Hat die Rückstell-Taste „Reset“ nicht ausgelöst, prüfen Sie, ob ein Kabel zum Entsorger kurzgeschlossen oder gebrochen ist. Prüfen Sie den elektrischen Ein-Schalter, den Sicherungskasten bzw. den Überlastschalter Wenn die Verdrahtung und die elektrischen Komponenten intakt sind, kann das Gerät interne Probleme haben, die den Kundendienst oder den Austausch erforderlich machen.

**WENN SICH DER DREHTELLER NICHT FREI DREHEN LÄSST:**

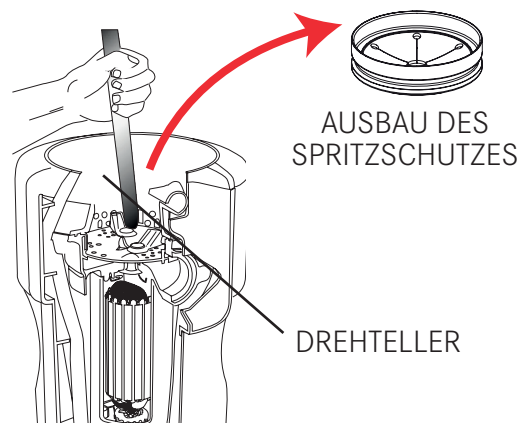
- ▶ Schalten Sie den Entsorger aus und prüfen Sie, ob sich Fremdobjekte zwischen Drehteller und Mahlring verfangen haben. Lösen Sie das Fremdobjekt, indem Sie den Drehteller mit einem Holzstiel drehen und das Objekt vorsichtig entfernen (siehe 7). Falls sich kein Fremdobjekt im Gerät findet, können interne Störungen vorliegen.

UNDICHTIGKEITEN: Falls das Gerät oben leckt, kann dies auf Folgendes zurück zu führen sein:

- Spülbeckenflansch sitzt nicht korrekt (Dichtung muss mittig sitzen, neuen Kitt aufbringen oder Festziehen).
- Der Stützring ist nicht korrekt festgezogen.
- Die Dämpfung ist defekt oder nicht korrekt installiert.

Wenn das Gerät am Speisereste-Winkelstück leckt, kann dies daran liegen, dass die Schrauben des Winkelstücks nicht korrekt festgezogen sind.

7



## REINIGUNG UND PFLEGE

VERSUCHEN SIE KEINESFALLS, IHREN ENTSORGER ZU SCHMIEREN!

Der Motor ist dauergeschmiert. Der Entsorger reinigt sich selbst und scheuert alle seine internen Bauteile bei jeder Benutzung. VERWENDEN SIE NIEMALS Lauge oder chemische Abflussreiniger wie Hydrochlorsäure und Salzsäure oder ähnliche Produkte im Entsorger zum Freimachen des Spülbeckenabflusses da diese die Metallteile des Entsorgers ernsthaft korrodieren würden.

Wenn Sie dennoch diese Reiniger verwendet haben, so ist der entstandene Schaden sehr leicht zu erfassen und die Garantie damit komplett erloschen. Mineralische Ablagerungen aus Ihrem Haushaltswasser können sich auf dem Edelstahl-Drehteller ablagern, so dass es wie Rost aussieht. DIES IST VÖLLIG NORMAL und kein Grund zur Beunruhigung, denn die Edelstahldrehteller können nicht rosten.

## ENTSORGUNG



Das Symbol am Produkt oder auf der Verpackung weist darauf hin, dass das Gerät nicht als normaler Hausmüll entsorgt werden darf.

Mit der vorschriftsmäßigen Entsorgung des Gerätes tragen Sie dazu bei, schädliche Auswirkungen auf Umwelt und Gesundheit zu vermeiden.

Weitere Informationen zum Recycling des Geräts erhalten Sie bei der zuständigen Behörde, der örtlichen Abfallbeseitigung oder beim Händler, der das Gerät verkauft hat.

- ▷ Ausrangiertes Gerät über die speziellen Sammelstellen für elektrische und elektronische Geräte entsorgen.

Im Einklang mit Gesetzesdekret Nr. 15 vom 25. Juli zur Umsetzung der Richtlinien 2002/96/EG zur Beschränkung der Verwendung gefährlicher Stoffe in Elektro- und Elektronikgeräten sowie Entsorgung von Altgeräten.

Das Symbol einer durchgestrichenen Abfalltonne weist darauf hin, dass das Produkt am Ende seiner Lebensdauer nicht zusammen mit dem Hausmüll entsorgt werden darf.

Daher muss das Gerät am Ende seiner Lebensdauer zu einer geeigneten Sammelstelle für das Recycling elektrischer und elektronischer Geräte gebracht oder beim Kauf eines vergleichbaren Neugeräts beim Händler abgegeben werden.

Die sachgemäße getrennte Sammlung von Altgeräten für eine anschließende Wiederverwendung, Aufbereitung und umweltfreundliche Entsorgung dient der Vorbeugung von potenziellen Umwelt- und Gesundheitsschäden. Sie erleichtert das Recycling der bei der Geräteherstellung eingesetzten Materialien.

Der Speisereste-Entsorger ist ausschließlich für die Verwendung in Privathaushalten konzipiert.

## SOMMAIRE

---

A propos de ce manuel d'utilisation	28
Usage prévu	28
Informations sur la sécurité	29
Pièces de l'ensemble	30
Démontage de l'ancien appareil	31
Raccordement de plomberie	32
Montage du système	32
Branchement électrique	34
Fixation du coude d'évacuation	34
Avec interrupteur d'air	35
Mode d'emploi	35
Alimentation continue	35
Alimentation discontinue	36
Résolution de problèmes	37
Entretien courant et maintenance	38
Mise au rebut	38

## A PROPOS DE CE MANUEL D'UTILISATION

Ce manuel d'utilisation s'applique à plusieurs modèles de cet appareil. Il est donc possible que certaines des fonctions et caractéristiques décrites ne soient pas disponibles sur votre modèle.

FRANKE se réserve le droit d'apporter des modifications au produit sans préavis. Toutes les informations sont correctes au moment de la publication.

- ▶ Conservez le manuel d'utilisation.
- ▶ Utilisez l'appareil décrit dans ce manuel d'utilisation uniquement pour l'usage prévu.

Symbole	Signification
	Symbole d'avertissement. Risque de blessure.
▷	Actions dans les remarques de sécurité et avertissements pour éviter les blessures et les dommages.
▶	Action. Indique une action à effectuer.
■	Résultat. Résultat d'une ou de plusieurs actions.
✓	Condition préalable à remplir avant d'exécuter l'action suivante.



## USAGE PRÉVU

Le broyeur de déchets alimentaires est un appareil électrique à installer sous l'évier afin de broyer des restes alimentaires en morceaux.

Assurez-vous que les autorités autorisent l'installation d'un broyeur de déchets alimentaires.

- ▷ Utilisez le broyeur de déchets uniquement pour des restes alimentaires.

## INFORMATIONS SUR LA SÉCURITÉ

INSTRUCTIONS RELATIVES AUX RISQUES D'INCENDIE, D'ÉLECTROCUTION OU DE BLESSURES AUX PERSONNES.

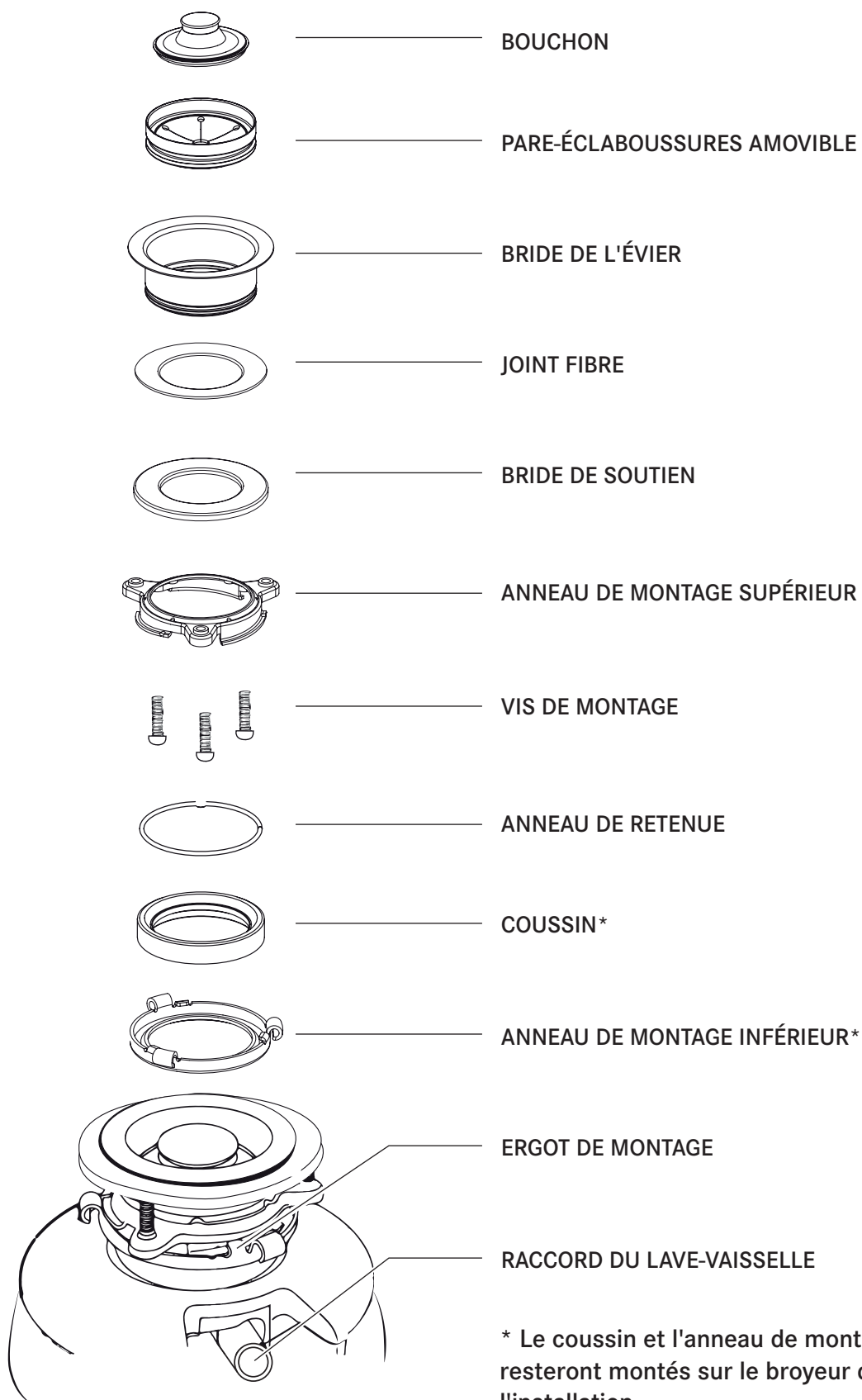


**AVERTISSEMENT** : lorsque vous utilisez des appareils électriques, il est impératif de respecter des précautions de base, y compris les précautions suivantes:

- ▷ Lisez toutes les instructions avant d'utiliser l'appareil.
  - ▷ Afin de réduire le risque de blessure, une surveillance attentive est nécessaire lorsqu'un appareil est utilisé à proximité d'enfants.
  - ▷ N'insérez pas vos doigts ou vos mains dans un broyeur de déchets.
  - ▷ Mettez l'alimentation en position OFF avant d'essayer de résoudre un problème de bourrage ou de retirer un objet du broyeur.
  - ▷ Lorsque vous essayez de résoudre un problème de bourrage dans un broyeur de déchets, utilisez un objet long en bois tel qu'une cuillère en bois ou le manche en bois d'un balai ordinaire ou d'un balai à franges.
  - ▷ Lorsque vous essayez de retirer des objets d'un broyeur de déchets, utilisez des pincettes ou une pince longue. Si le broyeur est actionné de manière magnétique, il convient d'utiliser des outils non-magnétiques.
- ▷ Afin de réduire le risque de blessure par des matériaux qui pourraient être expulsés par un broyeur de déchets, ne mettez pas les objets suivants dans un broyeur: coquillages ou coquilles d'huitres ; produits de nettoyage caustiques des évacuations ou produits similaires; verre, porcelaine ou plastique ; os de grandes dimensions ; métaux (bouchons de bouteilles, canettes, feuilles d'aluminium ou ustensiles) ; graisse chaude ou autres liquides chauds ; épis de maïs entiers.
  - ▷ Lorsque vous n'utilisez pas un broyeur, laissez le bouchon en place afin d'éviter le risque que des objets ne tombent dedans.
  - ▷ N'utilisez PAS le broyeur sans que le pare-éclaboussures.
  - ▷ En ce qui concerne les instructions de mise à la terre, consultez la section BRANCHEMENTS ÉLECTRIQUES de ce manuel.
  - ▷ **Ce broyeur de déchets alimentaires a été conçu pour fonctionner avec une alimentation de 220-240 V~, 50/60 Hz exclusivement. L'utilisation de toute autre tension ou fréquence nuit à sa performance.**

Le récipient auquel cet appareil est connecté doit être contrôlé par un interrupteur.

## PIÈCES DE L'ENSEMBLE



## DÉMONTAGE DE L'ANCIEN APPAREIL

INSTRUCTIONS STANDARDS, QUI PEUVENT VARIER SELON VOTRE MODÈLE.

- ▷ Avant de démarrer cette étape, **éteignez l'alimentation électrique** au niveau du disjoncteur ou du coffret électrique.
- ▷ **Débranchez le broyeur.**

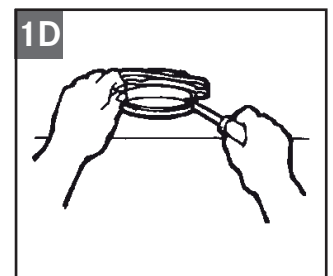
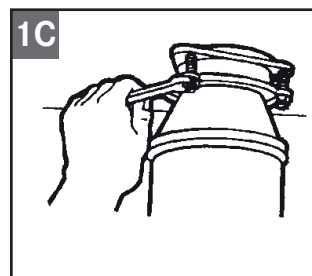
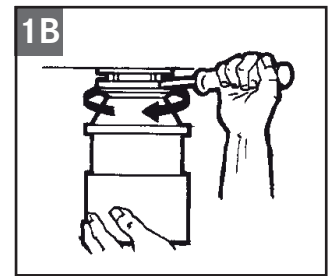
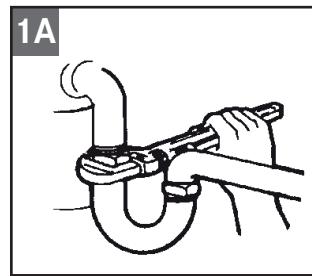
Si votre ancien appareil était du même type que le système de votre nouveau broyeur, procédez simplement dans l'ordre inverse des instructions de montage décrites dans « MONTAGE DU SYSTÈME ». Si votre nouveau système est différent, suivez les instructions suivantes :

- ▶ Ayez à disposition un récipient pour collecter tout excès d'eau / de déchets provenant du broyeur actuel.
- ▶ Utilisez un serre-tube pour débrancher le conduit d'évacuation raccordé au coude d'écoulement du broyeur (fig. **1A**).
- ▶ Retirez le broyeur de la bride de l'évier en faisant tourner l'anneau de montage vers la gauche dans le sens des aiguilles d'une montre (fig. **1B**). Si vous ne pouvez pas à faire tourner l'anneau de montage, tapez sur une des extensions de l'anneau avec un marteau. Certains systèmes de montage sont dotés d'extensions tubulaires. L'insertion d'un tournevis dans un tube fournira un effet de levier supplémentaire pour tourner l'anneau de montage (fig. **1B**). Pour certains broyeurs, il peut être nécessaire de retirer ou de desserrer des écrous sur les vis de montage (fig. **1C**). Pour certains broyeurs, il peut être nécessaire de retirer un collier.

**ATTENTION:** Assurez-vous d'étayer le broyeur lorsque vous réalisez cette étape, sans quoi il pourrait tomber lorsque l'anneau de montage est débranché de l'ensemble de montage.

- ▶ Pour démonter le reste du système de montage de l'évier, desserrez les vis et appuyez sur l'anneau de montage vers le haut. Sous celui-ci se trouve un anneau élastique. Utilisez un tournevis pour relâcher cet anneau (fig. **1D**). Retirez l'anneau de montage, l'anneau de protection et le joint de la bride de l'évier. Pour certains systèmes, il est nécessaire de dévisser un grand anneau maintenant la bride de l'évier en place. Poussez la bride de l'évier vers le haut à travers l'évier et nettoyez l'ancien mastic sur l'évier.
- ▶ Assurez-vous que l'évier est propre et parfaitement sec.

**IMPORTANT :** C'est le moment idéal pour nettoyer le siphon et les conduits d'évacuation en utilisant un dégorgeoir ou un furet avant d'installer votre nouveau broyeur.

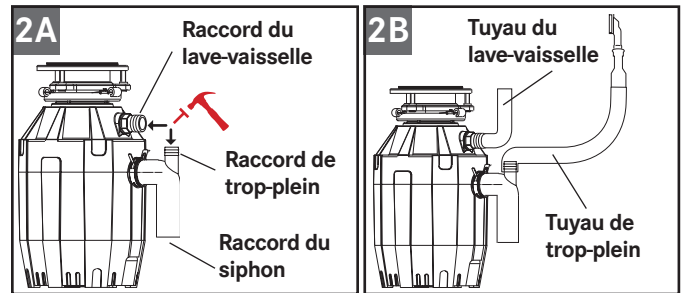


## RACCORDEMENT DE PLOMBERIE

Si aucun lave-vaisselle et/ou trop-plein ne doivent être raccordés, passez à la section suivante.

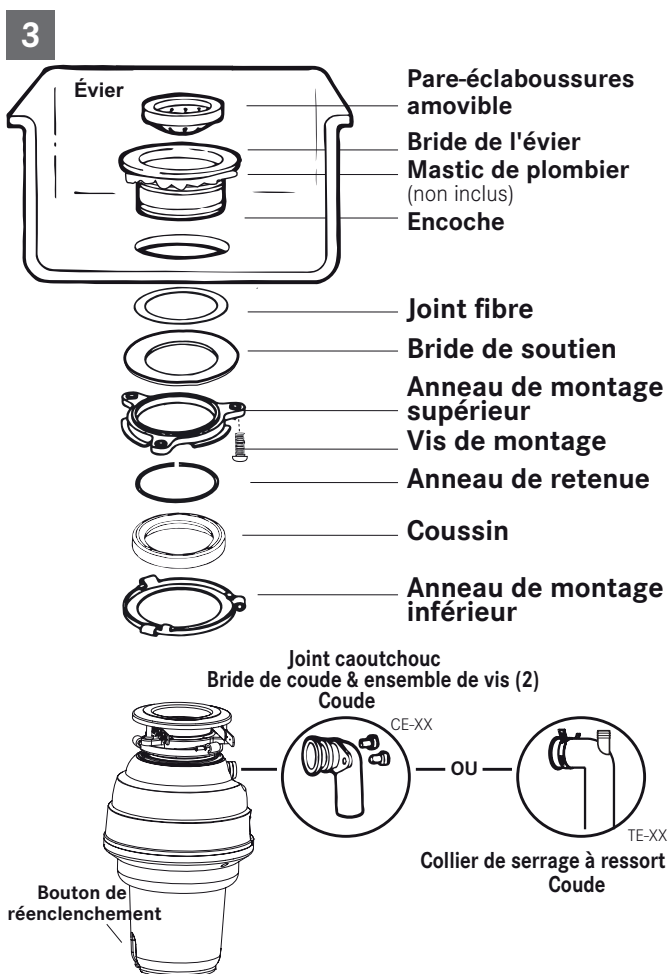
Si vous utilisez un lave-vaisselle, il est préférable qu'il soit branché directement au raccord correspondant du siphon. S'il n'y a pas de raccord de lave-vaisselle au niveau du siphon, procédez comme suit :

- ▶ En utilisant un instrument percutant (poinçon en acier ou gouille en bois), retirez intégralement le bouchon (fig. 2A). N'utilisez pas de tournevis ou d'instrument coupant. (Lorsque la bonde tombe dans le broyeur, vous pouvez la retirer ou la broyer lorsque le broyeur est utilisé. Cela n'endommagera aucunement le broyeur, bien que le broyage puisse prendre du temps).



- ▶ Branchez le tuyau de trop-plein (fig. 2B) à l'aide d'un collier de serrage. S'il y a différentes tailles de tuyaux, vous aurez besoin d'un adaptateur caoutchouc à étage.
- ▶ Branchez le tuyau du lave-vaisselle (fig. 2B) à l'aide d'un collier de serrage. Assurez-vous que tous les raccords de plomberie sont étanches et conformes aux codes et normes de plomberie. Faites couler de l'eau et vérifiez qu'il n'y a pas de fuites.

## MONTAGE DU SYSTÈME

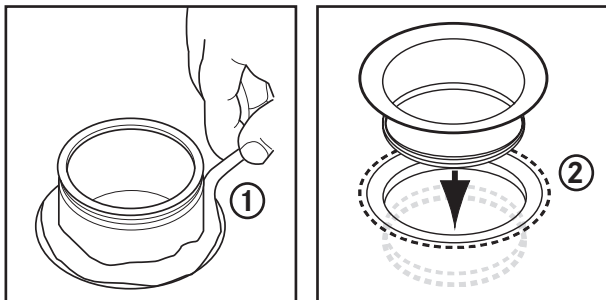


**REMARQUE :** Les composants de montage fournis sont assemblés dans le même ordre que celui utilisé pour les monter sur l'évier. Notez donc bien l'ordre d'emboîtement des composants du système avant de les désassembler.

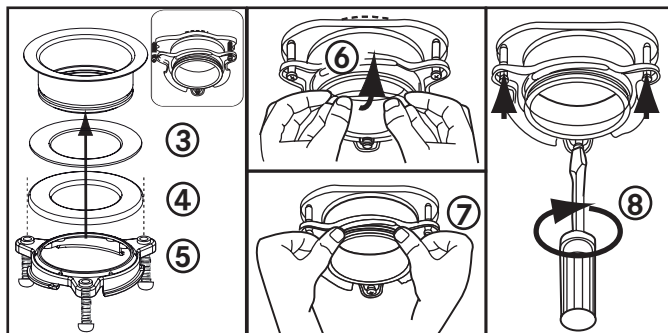
- ▶ **Le coussin et l'anneau de montage inférieur resteront montés sur le broyeur durant l'installation.** Démontez les autres composants de l'ensemble de montage en faisant tourner l'anneau de montage inférieur dans le sens des aiguilles d'une montre jusqu'à ce que ses ergots se désolidarisent du socle de l'anneau de montage supérieur. Cela vous permettra de séparer l'ensemble supérieur du reste de l'ensemble de montage inférieur.
- ▶ Dévissez les 3 vis de montage jusqu'à ce que l'anneau de montage supérieur puisse être déplacé jusqu'en haut de la bride de soutien. Enlevez l'anneau de retenue à l'aide d'un tournevis.
- ▶ Gardez les pièces restantes ensemble dans l'ordre dans lequel elles ont été démontées. Avant de brancher le broyeur à l'ensemble de montage sous l'évier, assurez-vous que l'anneau de montage inférieur est en place et que le coussin noir est toujours correctement engagé en haut de l'ouverture du broyeur. (Ne pas retirer le coussin)



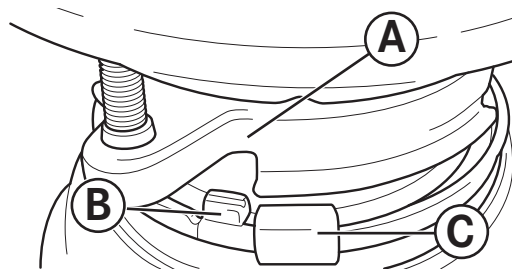
- ▶ Assurez-vous que l'évier est propre. Faites un cordon de mastic de plombier autour de la partie inférieure de la bride de l'évier (1). Depuis le haut de l'évier, poussez la bride de l'évier vers le bas contre l'ouverture de l'évier pour assurer une connexion étanche (2). **Ne déplacez pas ou ne faites pas tourner** la bride de l'évier une fois en place, cela pourrait rompre le scellé.



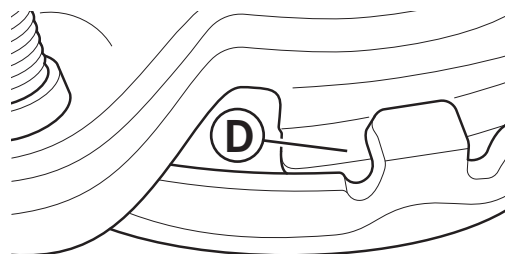
- ▶ Placez un objet avec un poids semblable à celui du broyeur sur la bride de l'évier pour la maintenir en place (utilisez une serviette pour éviter de rayer l'évier).
- ▶ Saisissez la partie restante de l'ensemble de montage que vous aviez mis de côté. Depuis le dessous de l'évier, insérez le joint fibre (3), puis la bride de soutien (4), et enfin l'anneau de montage supérieur (5).
- ▶ Maintenez les trois parties en place tout en fixant l'anneau de retenue (6) en le tirant et en le faisant glisser sur la bride de l'évier (7) jusqu'à ce qu'il s'enclenche dans l'encoche de la bride de l'évier (7).



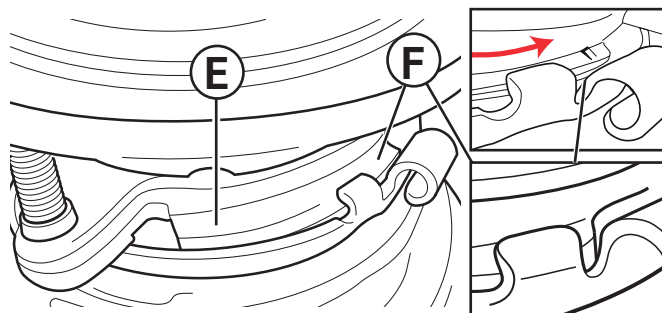
- ▶ Serrez les trois vis de montage de manière uniforme et ferme contre la bride de soutien (8). Ne serrez pas de façon excessive.
- ▶ Enlevez le surplus de mastic de plombier.
- ▶ Montez le broyeur sur l'anneau de montage supérieur en alignant les trois ergots de montage sur l'anneau de montage inférieur avec les socles sur l'anneau de montage supérieur et faites-les tourner dans le sens inverse des aiguilles d'une montre.



- ▶ L'anneau de montage inférieur (qui fait partie du broyeur) a 3 ergots qui se fixent au socle de l'anneau de montage. (A) dirigé vers l'anneau de montage supérieur. (B) est l'ergot qui se fixe dans le « socle ». (C) est l'« oreille » qui est utilisée pour faire tourner l'anneau de montage inférieur.
- ▶ Utilisez un tournevis pour obtenir un effet de levier si nécessaire.



- ▶ Soulevez et faites tourner l'anneau de montage inférieur dans le sens inverse des aiguilles d'une montre jusqu'à ce que les trois ergots de montage soient verrouillés au-dessus des arêtes (F) des socles (D) sur l'anneau de montage supérieur.



- ▶ Lorsque vous faites tourner l'anneau de montage inférieur dans le sens inverse des aiguilles d'une montre, chaque ergot se glisse dans le socle de l'anneau de montage supérieur (E) et se verrouille en position au-dessus des arêtes (F).
- ▶ Utilisez un tournevis ou un marteau pour obtenir un effet de levier si nécessaire.
- ▶ Si un broyeur doit être retiré, frapper sur l'oreille dans le sens des aiguilles d'une montre avec un marteau permettra de desserrer facilement l'anneau de montage inférieur.

## Branchement électrique

- ▷ Branchez le broyeur à un réseau électrique approprié uniquement.

Le récipient auquel cet appareil est connecté doit être contrôlé par un interrupteur.

**AVERTISSEMENT :** Un branchement incorrect du conducteur de mise à la terre de l'équipement peut entraîner un risque d'**électrocution**. Sollicitez l'aide d'un électricien qualifié ou d'un technicien si vous avez des doutes quant à la **bonne mise à la terre de l'appareil**. Ne modifiez pas la fiche livrée avec l'appareil si elle n'est pas adaptée à la prise murale. Faites **installer une prise appropriée** par un électricien qualifié.

### Instructions de mise à la terre

POUR LES BROyeurs DE DÉCHETS ÉQUIPÉS D'UN CORDON D'ALIMENTATION AVEC MISE À LA TERRE

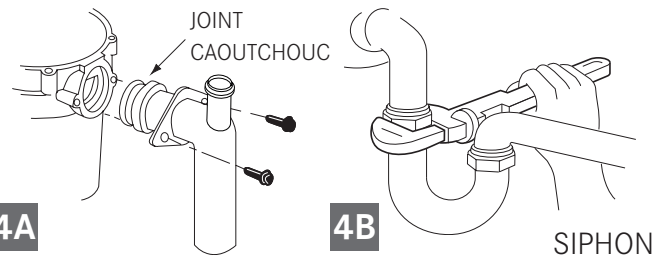
- ▷ Cet appareil doit être mis à la terre. En cas de défaillance ou de panne, la mise à la terre fournit une voie de moindre résistance pour le courant électrique afin de réduire le risque d'électrocution. Cet appareil est doté d'un cordon comprenant un conducteur de mise à la terre de l'équipement et d'une fiche de terre.
- ▷ La fiche doit être branchée dans une prise murale appropriée qui est correctement installée et mise à la terre conformément aux codes et règlements locaux.
- ▷ Si le câble d'alimentation est endommagé, il doit être remplacé par le fabricant, son service après-vente agréé ou toute autre personne ayant une qualification semblable afin d'éviter tout risque.

**Retirer le cordon d'alimentation fourni, ou la fiche, rend la garantie caduque.**

### Fixation du coude d'évacuation

MODÈLES CE-50, CE-75, TE-75S

- ▶ Branchez le coude d'évacuation au broyeur en faisant glisser la bride contre le joint en caoutchouc sur le coude et resserrez les vis sur le broyeur (fig. 4A). Puis raccordez la partie inférieure du coude en la serrant à l'aide de l'écrou coulissant (fig. 4B). En cas d'utilisation d'un conduit droit, il doit être doté d'un embout similaire à celui du coude. Retirez le joint du coude et installez-le sur le conduit droit avec l'extrémité plate du joint faisant face à l'ouverture d'évacuation du broyeur.



4A

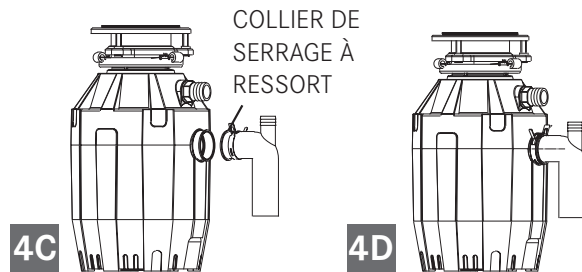
4B

SIPHON

Si vous effectuez un branchement vers un lave-vaisselle, consultez la section RACCORDEMENT DE PLOMBERIE (2A-B). Sinon, assurez-vous que tous les raccords de plomberie sont étanches et conformes aux codes et normes de plomberie. Faites couler de l'eau et vérifiez qu'il n'y a pas de fuites.

MODÈLES TE-50, TE-75, TE-125, TE-125BF

- ▶ Appuyez sur les ailettes du collier à ressort pour le retirer du manchon en caoutchouc. Faites glisser le collier à ressort sur le côté lisse du coude et faites-le glisser vers le côté ayant un embout sur le coude. (fig. 4C).
- ▶ Insérez le coude d'évacuation sur l'embout en caoutchouc de sorte que l'embout du coude s'emboîte dans l'encoche située à l'intérieur du manchon en caoutchouc. Positionnez le collier à ressort sur le manchon en caoutchouc et fixez-le (fig. 4D). En cas d'utilisation d'un conduit droit, utilisez un conduit avec un embout correspondant à l'embout sur le coude fourni avec le broyeur.



4C

4D

COLLIER DE SERRAGE À RESSORT

- ▶ Si vous effectuez un branchement vers un lave-vaisselle, consultez la section RACCORDEMENT DE PLOMBERIE (2A-B). Sinon, assurez-vous que tous les raccords de plomberie sont étanches et conformes aux codes et normes de plomberie. Faites couler de l'eau et vérifiez qu'il n'y a pas de fuites.

### Avec interrupteur d'air

#### Ensemble d'interrupteur d'air du broyeur

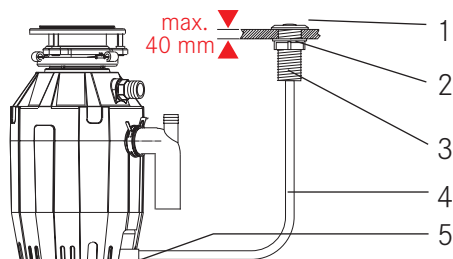
L'actionneur, comprenant :

1. Bouton de l'actionneur
2. Écrou de l'actionneur
3. Sortie de l'actionneur (option filetée)

Le boîtier du capteur de l'interrupteur d'air qui est installé sur le broyeur. Seul l'embout du tube d'air est visible depuis l'extérieur du broyeur.

Ensemble du tube d'air, comprenant :

4. Tube d'air - Transparent ou noir
5. Écrou du tube d'air



5

### Installation et mode d'emploi

- ▶ En l'absence de trou - percez un trou de 35 mm à 40 mm dans l'évier ou le plan de travail sur lequel le bouton de l'actionneur (1) sera positionné.
- ▶ Insérez, depuis le haut, la sortie de l'actionneur à travers le trou percé.
- ▶ Vissez l'écrou de l'actionneur (2) sur la sortie de l'actionneur (3) et serrez-le fermement à la main.
- ▶ Branchez fermement le tube d'air : un côté sur la sortie de l'actionneur (3) et un côté sur la prise d'entrée du capteur au niveau du cordon d'alimentation de broyeur vers l'alimentation électrique principale.
- ▶ Pour allumer le broyeur, appuyez sur le bouton (1). Pour l'éteindre, appuyez de nouveau sur le bouton.

### Suggestions

- ▶ Assurez-vous que le broyeur est vide avant d'utiliser votre lave-vaisselle afin que l'évacuation fonctionne correctement.
- ▶ Il peut être utile de laisser le bouchon en place dans l'évacuation de l'évier afin d'éviter que des ustensiles ou des corps étrangers ne tombent dans le broyeur.
- ▶ Votre broyeur dispose d'une construction solide pour fonctionner sans problème pendant de longues années. Il pourra traiter tous les restes alimentaires normaux, mais ne pourra PAS broyer des objets comme du plastique, des canettes, des bouchons de bouteilles, du verre, de la porcelaine, du cuir, du tissu, du caoutchouc, de la ficelle, des coquillages ou des coquilles d'huitres, des feuilles d'aluminium ou des plumes.

**IMPORTANT:** Si le cordon d'alimentation est endommagé, il doit être remplacé par le fabricant ou son service après-vente.

## MODE D'EMPLOI

Votre broyeur fonctionne avec une alimentation continue si vous n'avez pas spécifié que vous souhaitiez acheter un broyeur à alimentation discontinue.

### Alimentation continue

Les rotors pivotants anti-blocage émettent un cliquetis lorsqu'ils entrent en mouvement. Ceci indique un fonctionnement normal.

- ▶ Enlevez le bouchon de l'évier. Laissez couler le robinet d'eau froide avec un flux moyen.
- ▶ Mettez l'interrupteur en position ON ; votre moteur tourne à plein régime et il est prêt à l'emploi.
- ▶ Mettez des restes de nourriture. Dans l'évacuation vous pouvez mettre des restes d'aliments, des épiluchures, des croustes, des graines, des noyaux, de petits os et du marc de café. Pour accélérer le broyage des déchets alimentaires, coupez ou cassez les gros os, les croustes et les épis.

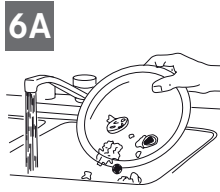
Le broyage des gros os et des feuilles fibreuses nécessite un temps considérable et ils peuvent être plus facilement jetés avec d'autres déchets. Ne vous affolez pas si l'appareil ralentit lorsqu'il est en train de broyer. Le broyeur augmente le couple (puissance de broyage) et fonctionne normalement.

- ▶ Avant d'éteindre le broyeur, laissez couler de l'eau avec l'appareil allumé pendant environ 15 secondes après la fin du broyage. Cela permet que tous les restes soient correctement évacués.
- ▶ Il n'est pas recommandé d'utiliser de l'eau chaude lorsque le broyeur fonctionne. Avec l'eau froide les débris et les graisses restent solides ; le broyeur peut ainsi évacuer les particules.

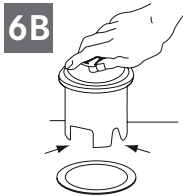
## Alimentation discontinue

► Enlevez le bouchon de l'évier. Laissez couler le robinet d'eau froide avec un débit moyen.

► Mettez des restes de nourriture. Dans l'évacuation, vous pouvez mettre des restes alimentaires, des épluchures, des croûtes, des graines, des noyaux, de petits os ou du marc de café (fig. 6A).

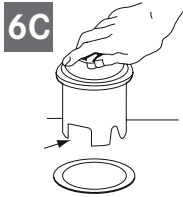


► Insérez le bouchon pour démarrer le broyeur (fig. 6B). Une des deux encoches à la base du bouchon doit être alignée avec le plongeur à l'intérieur du goulot du broyeur. Poussez fermement vers le bas pour allumer le broyeur. Soulevez le bouchon pour éteindre le broyeur.



► Laissez fonctionner le broyeur pendant 15 secondes après la fin du broyage. Cela permet que tous les restes soient correctement évacués.

► Pour remplir l'évier, insérez le bouchon et alignez la plus grande encoche avec le plongeur (fig. 6C). Appuyez vers le bas pour obstruer l'évier sans faire démarrer le broyeur.



Lorsque l'encoche de taille moyenne (fig. 6B) à la base du bouchon est alignée avec le plongeur, l'eau peut s'écouler, mais les couverts, etc., ne peuvent pas tomber accidentellement dans le broyeur.



### ATTENTION

- ▷ L'utilisation d'eau froide est recommandée.
- ▷ N'utilisez pas le broyeur de déchets alimentaires avec des matériaux durs tels que du verre ou du métal.
- ▷ Éteignez la machine ou débranchez-la lorsque vous essayez de débloquer une plaque tournante bloquée avec une cuillère en bois.

### NE PAS INTRODUIRE :

- Lessive et produits de nettoyage des évacuations (acide chlorhydrique), car ils entraînent une corrosion sévère des parties métalliques. Si vous les utilisez, les dommages seront facilement détectés et toutes les garanties seront nulles
- Excès de graisse et huile
- Matériaux plastiques
- Citrouilles
- Peaux de banane
- Feuilles d'ananas
- Asperges
- Artichauts
- Coquillages (ex. huîtres, moules, etc.)
- Médicaments
- Métal (bouchon de bouteille)
- Pièces plastiques
- Os de vache et/ou de grandes dimensions

### À INTRODUIRE :

- Épis de maïs
- Petits os (ex. de poulet, lapin)
- Coquilles de noix
- Restes de viande
- Peaux de melon, pastèque
- Graines de fruits
- Acinus de raisin
- Grains de riz
- Grains de café
- Coquilles d'œuf
- Arrêtes de poisson
- Têtes de poisson
- Pâtes
- Légumes ou peaux de légumes
- Fromage
- Pain
- Soupe

## RÉSOLUTION DE PROBLÈMES

Avant de demander une réparation ou un remplacement, nous vous conseillons de vérifier les points suivants :

**BRUITS** (autres que ceux du broyage de petits os ou de noyaux de fruits) : ils sont habituellement causés par l'entrée accidentelle d'une cuillère, d'une capsule ou de tout autre corps étranger.

- Pour corriger cela, éteignez l'interrupteur électrique et l'eau. Une fois que le broyeur est arrêté.

**L'UNITÉ NE DÉMARRE PAS :**

- Débranchez le câble d'alimentation ou mettez soit l'interrupteur mural soit le disjoncteur en position « OFF », selon votre modèle et la configuration de câblage.
- Enlevez le bouchon. Regardez si la plaque tournante tourne librement en utilisant un manche à balai en bois. Si la plaque tournante tourne librement, remplacer le pare-éclaboussures et regardez le bouton de réenclenchement pour voir s'il a bougé. Le bouton de réenclenchement est rouge et se trouve en face du coude d'écoulement, près du bas (voir 3). Appuyez sur le bouton jusqu'à ce que vous entendiez un clic et qu'il reste enfoncé. Si le bouton de réenclenchement n'a pas bougé, regardez si un câble branché au broyeur n'est pas court-circuité ou cassé. Regardez l'interrupteur d'alimentation électrique, la boîte à fusibles ou le disjoncteur. Si les composants électriques et de câblage sont intacts, l'unité a peut-être des problèmes internes qui demandent une intervention ou le remplacement d'une pièce.

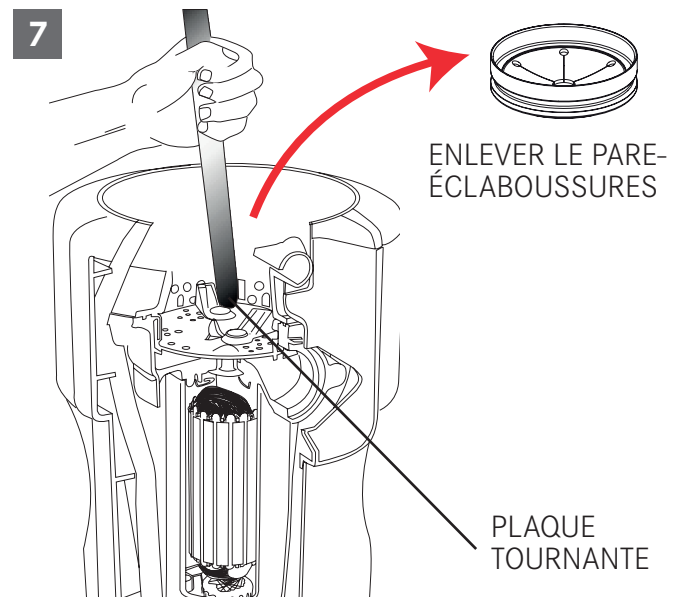
**SI LA PLAQUE TOURNANTE NE TOURNE PAS LIBREMENT :**

- Éteignez le broyeur puis regardez si un corps étranger ne s'est pas logé entre la plaque tournante et la meule. Délogez l'objet en faisant bouger la plaque tournante avec un manche à balais en bois et enlevez l'objet (voir **B**). Si aucun corps étranger n'est présent, il y a peut-être des problèmes internes.

**FUITES :** si l'unité fuit par le haut, cela peut être dû à :

- Appui incorrect de la bride de l'évier (centrage, masticage ou serrage du joint).
- Anneau de support incorrectement serré.
- Coussin défectueux ou incorrectement installé.

Si l'unité fuit au coude d'écoulement, cela peut être dû à un serrage inadéquat des vis de la bride du coude.



## ENTRETIEN COURANT ET MAINTENANCE

### N'ESSAYEZ PAS DE LUBRIFIER VOTRE BROYEUR !

Le moteur est lubrifié en permanence. Le broyeur est autonettoyant et purge ses parties internes à chaque utilisation. NE mettez JAMAIS dans le broyeur de lessive, de nettoyants chimiques, comme de l'acide chlorhydrique, ni de produits pour déboucher l'évacuation de l'évier, ils pourraient entraîner la corrosion des parties métalliques.

Si vous les utilisez, les dommages pourront être facilement détectés et toutes les garanties seront nulles. Des dépôts minéraux de l'eau peuvent se former sur la plaque tournant en acier inoxydable et donner l'aspect de rouille. NE vous inquiétez PAS, les plaques tournantes en acier inoxydable ne rouillent pas.

## MISE AU REBUT



Le symbole sur le produit ou sur l'emballage indique que l'appareil ne doit pas être jeté avec les déchets ménagers.

En éliminant l'appareil correctement, vous contribuez à éviter des conséquences graves pour l'environnement et la santé.

Des informations complémentaires sur le recyclage de l'appareil sont disponibles auprès de l'autorité compétente, du service local de traitement des déchets ou du revendeur de l'appareil.

- ▷ Éliminez l'appareil via un point de collecte spécialisé pour les déchets électroniques et électriques.

Conformément à l'article du décret n° 15 daté du 25 juillet, mise en oeuvre des directives, 2002/96/CE concernant la réduction des substances dangereuses utilisées dans les appareils électriques et électroniques et l'élimination des déchets ».

Le symbole de poubelle barrée sur l'appareil indique qu'à la fin de sa durée de vie utile le produit ne doit pas être jeté avec les ordures ménagères.

Par conséquent, lorsque l'appareil a atteint la fin de sa vie active, l'utilisateur doit le porter à un centre de recyclage approprié pour les déchets électroniques et électrotechniques, ou au revendeur lors de l'achat d'un nouvel appareil de type équivalent.

La mise au rebut des déchets séparés de l'appareil en bonne et due forme pour recyclage ultérieur, le traitement et l'élimination écologiques contribuent à éviter l'impact potentiellement négatif sur l'environnement et la santé et facilite le recyclage des matériaux utilisés dans la construction des appareils.

Le broyeur de déchets alimentaires est à usage domestique uniquement.

# INDICE

---

Informazioni sul libretto di uso	40
Utilizzo	40
Informazioni per la sicurezza	40
Componenti dell'elettrodomestico	41
Rimuovere un'unità preesistente	42
Collegamento idraulico	43
Installazione sul blocco di fissaggio	43
Collegamento elettrico	45
Collegamento dell'angolo dello scarico	45
Interruttore dell'aria attivato	46
Istruzioni operative	47
Alimentazione continua	47
Alimentazione a batch	47
Risoluzione dei problemi	48
Pulizia e manutenzione	49
Smaltimento	49

## INFORMAZIONI SUL LIBRETTO DI USO

Queste istruzioni per l'uso sono valide per diversi modelli del dispositivo. È quindi possibile che alcune delle caratteristiche e funzioni qui descritte non siano disponibili nel modello specifico acquistato.

FRANKE si riserva il diritto di apportare modifiche al prodotto senza preavviso. Tutte le informazioni sono corrette al momento della pubblicazione.

- ▶ Conservare le istruzioni per l'uso.
- ▶ Utilizzare il dispositivo descritto in queste istruzioni per l'uso solo conformemente all'uso previsto.

Simbolo	Significato
	Avviso di pericolo. Avviso di pericolo di lesioni.
▷	Azioni in sicurezza e avvertenze per evitare lesioni o danni.
▶	Azione. Specifica un'azione che deve essere compiuta.
■	Risultato. Risultato di una o più azioni.
✓	Presupposto che deve essere soddisfatto prima di eseguire l'azione successiva.



Avviso di pericolo.  
Avviso di pericolo di lesioni.

▷ Azioni in sicurezza e avvertenze per evitare lesioni o danni.

▶ Azione. Specifica un'azione che deve essere compiuta.

■ Risultato. Risultato di una o più azioni.

✓ Presupposto che deve essere soddisfatto prima di eseguire l'azione successiva.

## UTILIZZO

Il tritarifiuti è un dispositivo elettrico da collocare sotto al lavello per sminuzzare gli scarti di cibo.

Assicurarsi che le autorità locali permettano l'installazione del tritarifiuti.

- ▷ Usare l'apparecchio soltanto per rifiuti alimentari.

## INFORMAZIONI PER LA SICUREZZA

ISTRUZIONI RIGUARDO AL RISCHIO DI INCENDIO, DI FOLGORAZIONE O DI LESIONI PERSONALI.



**AVVERTIMENTO:** Durante l'utilizzo di elettrodomestici, seguire sempre le precauzioni di base, incluso quanto segue:

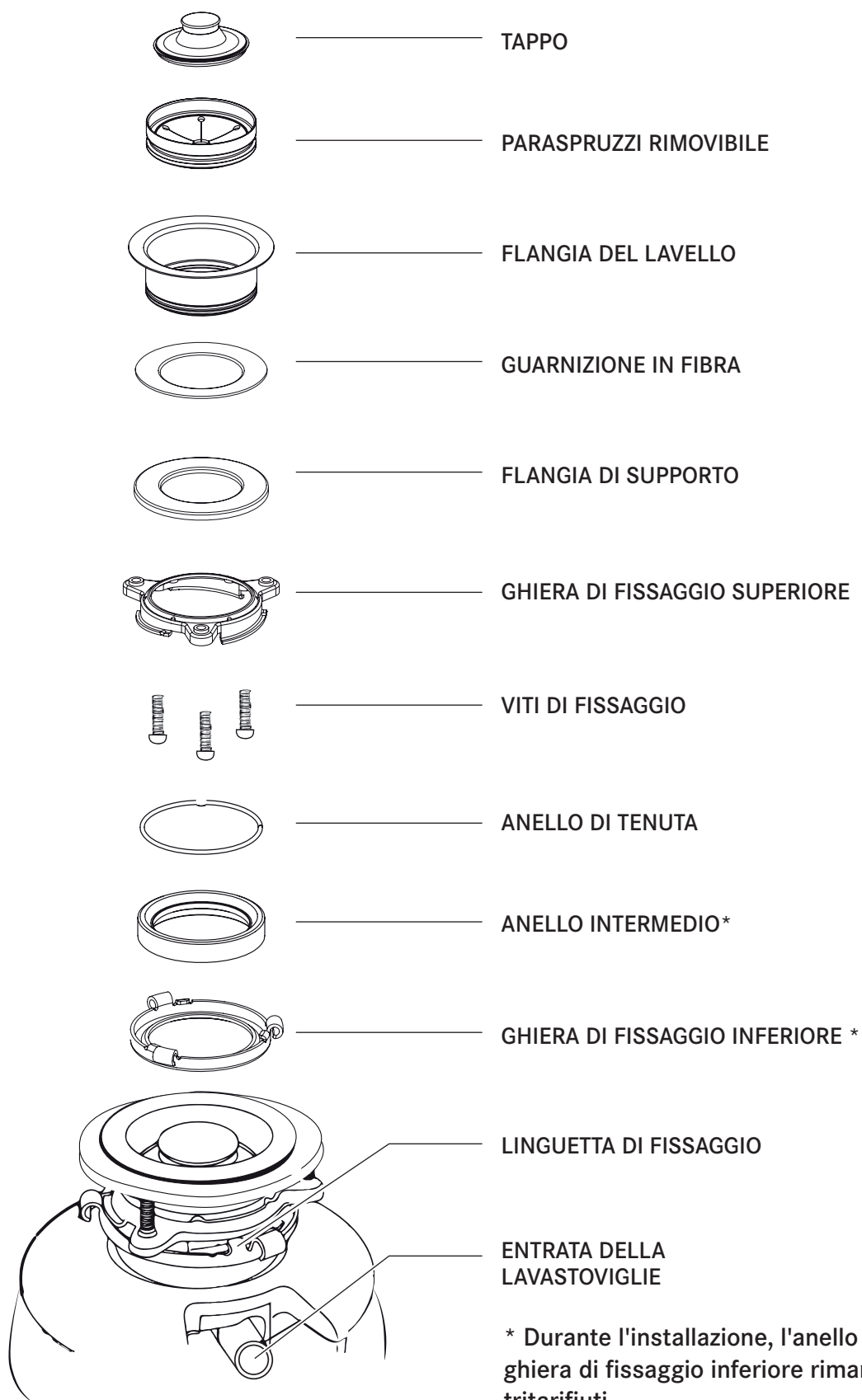
- ▷ Leggere tutte le istruzioni prima di utilizzare l'elettrodomestico.
- ▷ Per ridurre il rischio di lesioni, quando l'elettrodomestico viene usato vicino a bambini è necessaria un'attenta supervisione.
- ▷ Non inserire dita o mani nel tritarifiuti.
- ▷ Spegnerlo prima di cercare di sturarlo o di rimuovere un oggetto inceppato al suo interno.
- ▷ Quando si cerca di sturare il tritarifiuti, usare un lungo oggetto in legno, come un cucchiaio o il manico di una scopa.
- ▷ Quando si cerca di rimuovere un oggetto dal tritarifiuti, usare pinze o tenaglie con manico lungo. Se il tritarifiuti viene azionato magneticamente, utilizzare strumenti non magnetici.

- ▷ Per ridurre il rischio di lesioni dovute a materiali espulsi dal tritarifiuti, non inserire nell'elettrodomestico i seguenti oggetti: conchiglie di ostriche o vongole; disgorganti caustici o prodotti simili; vetro, porcellana e plastica; ossa grandi intere; metalli, come tappi di bottiglie, lattine, fogli di alluminio o utensili; grasso o liquidi bollenti; pannocchie intere.
- ▷ Quando il tritarifiuti non è in uso, collocare il tappo al fine di ridurre le possibilità che qualcosa cada al suo interno.
- ▷ NON usare il tritarifiuti in assenza del paraspruzzi.
- ▷ Vedere la porzione del manuale CONNESSIONI ELETTRICHE per le istruzioni di messa a terra.
- ▷ **Questo tritarifiuti è stato progettato per funzionare unicamente a 220-240V~, 50/60 Hz. L'utilizzo con un valore di tensione o Hz diverso avrà un impatto negativo sulle prestazioni.**

La presa alla quale è collegato questo elettrodomestico deve essere controllata da un interruttore.



## COMPONENTI DELL'ELETTRODOMESTICO



## RIMUOVERE UN'UNITÀ PREESISTENTE

ISTRUZIONI TIPICHE, IL MODELLO PUÒ VARIARE.

- ▷ Prima di iniziare, **togliere l'alimentazione** dall'interruttore magnetitermico o dalla scatola dei fusibili.
- ▷ **Togliere la spina del tritarifiuti.**

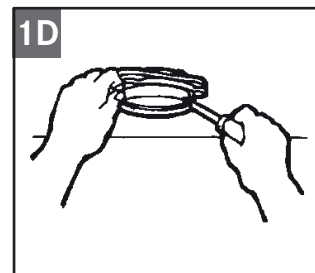
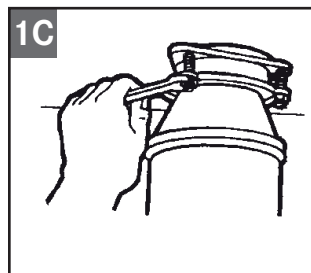
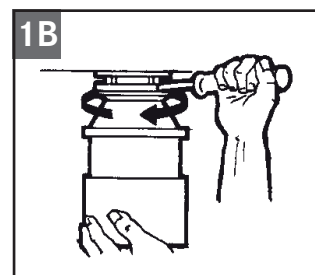
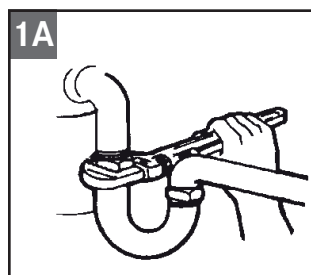
Se l'attacco dell'unità preesistente è dello stesso tipo di quello presente sul nuovo tritarifiuti, seguire al contrario le istruzioni di assemblaggio presenti nell'Installazione del blocco di montaggio. Se l'attacco è diverso, procedere nel seguente modo:

- ▶ Tenere a portata di mano un contenitore nel quale raccogliere l'acqua in eccesso/rifiuti presenti nel tritarifiuti presente.
- ▶ Con una chiave giratubi rimuovere la tubazione di scarico nel punto in cui si collega all'angolo dello scarico del tritarifiuti (fig. 1A).
- ▶ Rimuovere il tritarifiuti dalla flangia del lavello ruotando la ghiera di fissaggio a sinistra in senso orario (fig. 1B). Nel caso in cui non fosse possibile ruotare la ghiera di montaggio, battere su una delle estensioni della ghiera con un martello. Alcuni attacchi presentano estensioni tubolari. Inserendo un cacciavite in un tubo è possibile fare maggiormente leva per ruotare la ghiera di fissaggio (fig. 1B). Alcuni tritarifiuti necessitano della rimozione o dell'allentamento di dadi dalle viti di fissaggio (fig. 1C). Alcuni tritarifiuti possono richiedere la rimozione di un morsetto.

**CAUTELA:** Sostenere il tritarifiuti durante questo passaggio per evitare che cada quando la ghiera di fissaggio viene staccata dal resto del blocco.

- ▶ Per rimuovere il rimanente blocco di fissaggio dal lavello, allentare le viti, spingere verso l'alto la ghiera di montaggio. Al di sotto è presente l'anello elastico. Usare un cacciavite per rimuoverlo (fig. 1D). Rimuovere la ghiera di montaggio, l'anello di protezione e la guarnizione dalla flangia del lavello. Per alcuni attacchi è necessario svitare un grande anello che tiene in posizione la flangia del lavello. Tirare verso l'alto la flangia del lavello attraverso il lavello e rimuovere il vecchio stucco.
- ▶ Verificare che il lavello sia pulito e completamente asciutto.

**IMPORTANTE:** Questo è il momento più adatto per pulire il dissipatore e le tubazioni di scarico facendo scorrere un mandrino flessibile per disostruire i tubi prima di posizionare il nuovo tritarifiuti.

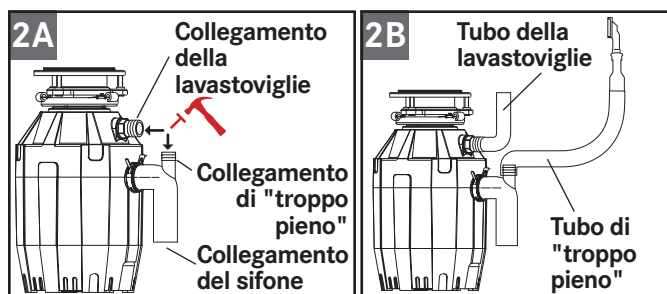


## COLLEGAMENTO IDRAULICO

Nel caso in cui la lavastoviglie e/o il tubo di "troppo pieno" non debbano essere collegati passare alla sezione seguente.

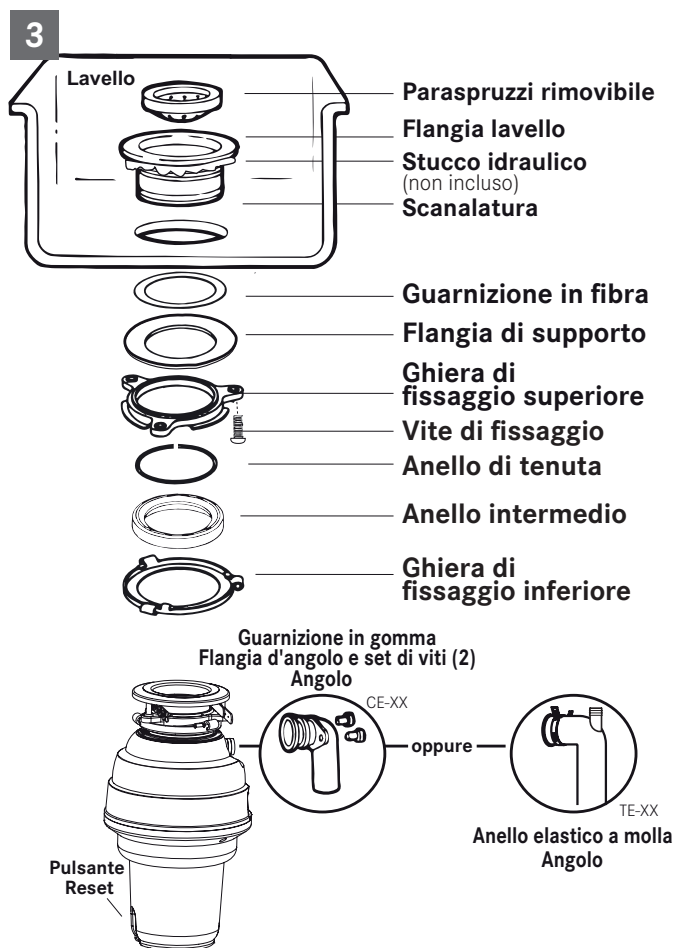
Se si utilizza una lavastoviglie, è preferibile collegarla in modo diretto al collegamento apposito nel sifone. Se non è disponibile una connessione della lavastoviglie nel sifone, completare la seguente procedura:

- ▶ usando uno strumento smussato (punteruolo in acciaio o tassello in legno), estrarre l'intero tappo (fig. 2A). Non usare un cacciavite o strumenti affilati. (Quando il tappo cade nel tritarifiuti, è possibile rimuoverlo o sminuzzarlo con il tritarifiuti stesso. Questa azione non danneggia l'elettrodomestico ma richiede del tempo).



- ▶ Collegare il tubo di "troppo pieno" (fig. 2B) con una fascetta per tubi. Se la dimensione del tubo è diversa è necessario un adattatore graduato in gomma.
- ▶ Collegare il tubo della lavastoviglie (fig. 2B) con una fascetta per tubi. Verificare che tutti i collegamenti siano saldi e che rispettino le normative e le ordinanze in materia di idraulica. Far scorrere dell'acqua e controllare la presenza di perdite.

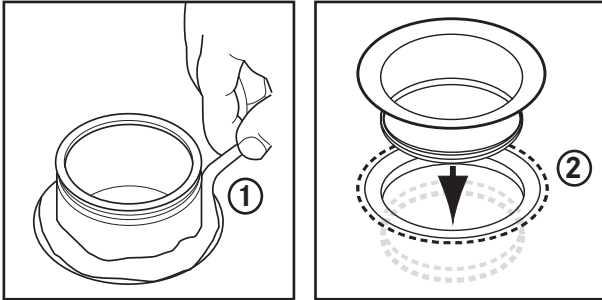
## INSTALLAZIONE SUL BLOCCO DI FISSAGGIO



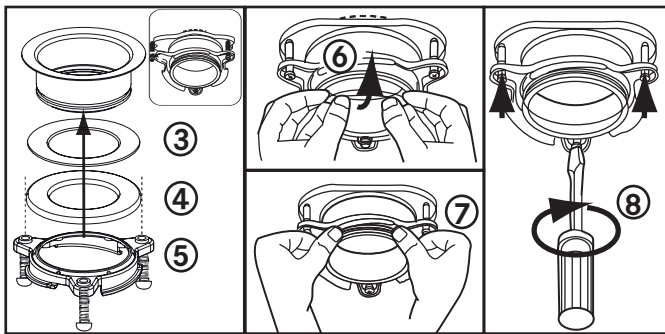
**NOTA:** I componenti di fissaggio sono pronti all'uso e montati nello stesso modo in cui sono assemblati sul lavello, perciò è consigliabile porre particolare attenzione all'ordine dei componenti di montaggio prima di smontarli.

- ▶ Durante l'installazione, l'anello intermedio e la ghiera di fissaggio inferiore rimangono fissati al tritarifiuti. Smontare gli altri componenti del blocco di fissaggio ruotando la ghiera di fissaggio inferiore in senso orario fino a quando le linguette di montaggio inferiori fuoriescono dalla rampa della ghiera. In questo modo è possibile separare il blocco superiore dal blocco inferiore rimanente.
- ▶ Svitare le 3 viti di fissaggio fino a quando è possibile spostare la ghiera di fissaggio superiore sopra la flangia di supporto. Rimuovere l'anello di tenuta con un cacciavite.
- ▶ Tenere insieme le parti rimanenti, nell'ordine in cui sono state rimosse. Prima di collegare il tritarifiuti al blocco di fissaggio sotto al lavello, verificare che la ghiera di montaggio inferiore sia in posizione e che l'anello intermedio nero sia ancora posizionato correttamente sopra l'apertura del tritarifiuti. (Non rimuovere l'anello intermedio).

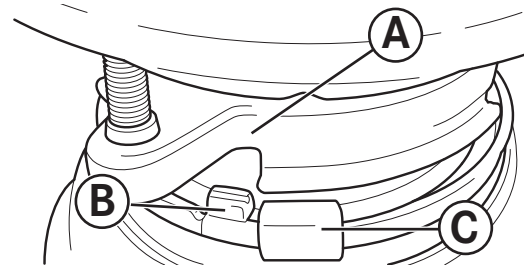
- ▶ Controllare che il lavello sia pulito. Collocare una punta di stucco idraulico sulla flangia del lavello (1). Dalla parte superiore del lavello, spingere la flangia del lavello verso il basso contro l'apertura di quest'ultimo, per fare sì che la sigillatura sia ottimale (2). **Non muovere o ruotare** la flangia del lavello dopo averla posizionata per evitare di rompere la sigillatura.



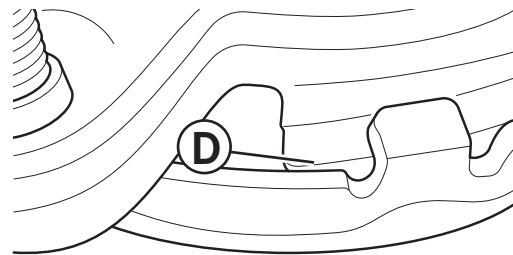
- ▶ Collocare un oggetto pesante, come il tritarifiuti (usare un asciugamani per evitare di graffiare il lavello) sulla flangia del lavello per tenerla in posizione.
- ▶ Prendere la parte rimanente del blocco di fissaggio che era stata messa da parte. Dalla parte al di sotto del lavello inserire la guarnizione in fibra (3), quindi la flangia di supporto (4) e poi la ghiera di fissaggio superiore (5).
- ▶ Tenere in posizione le tre parti mentre si colloca l'anello di tenuta (6) aprendolo e facendolo scorrere sulla flangia del lavello (7) fino a inserirlo nella scanalatura della flangia (7).



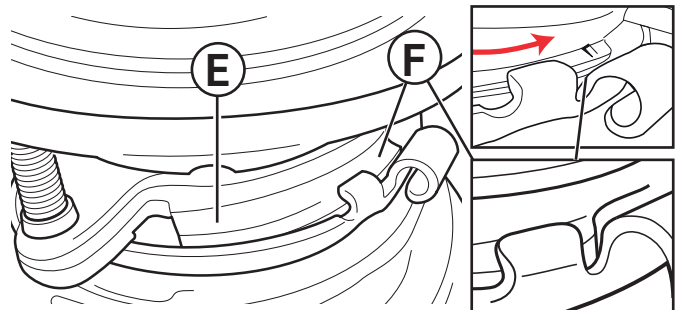
- ▶ Serrare le tre viti di fissaggio in modo uniforme e saldamente contro alla flangia di supporto (8). Non serrare eccessivamente.
- ▶ Eliminare lo stucco idraulico in eccesso.
- ▶ Collocare il tritarifiuti sulla ghiera di fissaggio superiore allineando le tre linguette di fissaggio con le rampe di scorrimento sulla ghiera di fissaggio superiore e ruotando in senso antiorario.



- ▶ La ghiera di fissaggio inferiore (che fa parte del tritarifiuti) è dotata di 3 linguette che si agganciano alla rampa della ghiera di fissaggio. (A) punta alla ghiera di fissaggio superiore. (B) è la linguetta che scorre sulla "rampa". (C) è l'"orecchio" usato per agevolare la rotazione della ghiera di fissaggio inferiore.
- ▶ Se necessario usare un cacciavite per fare leva.



- ▶ Sollevare e ruotare in senso antiorario la ghiera di fissaggio inferiore fino a quando le tre linguette di fissaggio si bloccano sulle creste (F) delle rampe (D) della ghiera di fissaggio superiore.



- ▶ Facendo ruotare la ghiera di fissaggio inferiore in senso antiorario, ciascuna linguetta scorre sulla rampa (E) della ghiera di fissaggio superiore e si blocca sulle creste (F).
- ▶ Se necessario usare un cacciavite o un martello per fare leva.
- ▶ Qualora fosse necessario rimuovere un tritarifiuti, battere sull'orecchio con un martello in senso antiorario allenterà facilmente la ghiera di fissaggio inferiore.

## Collegamento elettrico

► Collegare il tritarifiuti solo a una presa corretta.

La presa alla quale è collegato questo elettrodomestico deve essere controllata da un interruttore.

**⚠ AVVERTIMENTO:** Un collegamento errato del conduttore di terra può provocare il rischio di **folgorazione**. Chiedere la consulenza di un elettricista qualificato in caso di dubbi riguardo alla **corretta messa a terra**. Non modificare la spina fornita con il dispositivo nel caso in cui non entrasse nella presa. Chiedere a un elettricista qualificato di **posizionare una presa corretta**.

### Istruzioni per la messa a terra

PER TRITARIFIUTI DOTATI DI CAVO DI ALIMENTAZIONE CON MESSA A TERRA

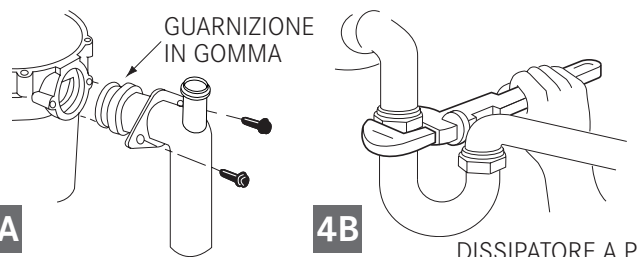
- Questo dispositivo deve essere collegato a terra. In caso di malfunzionamento o guasto, la messa a terra fornisce un percorso di minore resistenza alla corrente elettrica e riduce il rischio di folgorazione. Il dispositivo è dotato di un cavo con conduttore con spina di messa a terra.
- La spina deve essere inserita in una presa adatta, correttamente installata e con una messa a terra che rispetta tutta le normative e ordinanze locali.
- Se il cavo di alimentazione è danneggiato deve essere sostituito dal costruttore, da un suo tecnico del servizio di assistenza o comunque da una persona con qualifica simile, in modo da prevenire ogni rischio.

**La rimozione del cavo di alimentazione collegato o della spina invalida la garanzia.**

## Collegamento dell'angolo dello scarico

MODELLI CE-50, CE-75, TE-75S

- Collegare l'angolo dello scarico al tritarifiuti facendo scorrere la flangia contro la guarnizione in gomma sull'angolo e serrando le viti nel tritarifiuti (fig. 4A). Quindi collegare la parte inferiore dell'angolo serrando il dado scorrevole (fig. 4B). In caso di utilizzo di tubo diritto, deve essere dotato di labbro simile a quello presente sull'angolo. Rimuovere la guarnizione dall'angolo e installarla sul tubo diritto con l'estremità piatta della guarnizione rivolta verso l'apertura di scarico del tritarifiuti.



4A

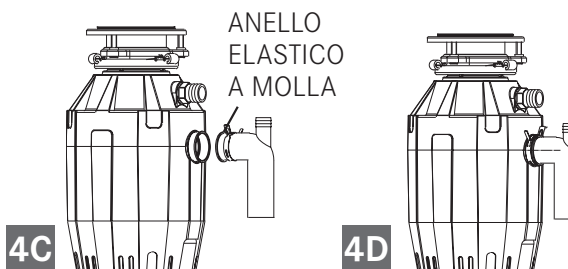
4B

DISSIPATORE A P

- Se si sta collegando una lavastoviglie, tornare alla sezione COLLEGAMENTO IDRAULICO (2A-B). Altrimenti, verificare che tutti i collegamenti siano saldi e rispettino le normative e ordinanze in materia di idraulica. Far scorrere dell'acqua e controllare la presenza di perdite.

MODELS TE-50, TE-75, TE-125, TE-125BF

- Abbassare le alette presenti sul morsetto a molla per rimuoverlo dal manicotto in gomma. Far scivolare il morsetto a molla sul lato liscio dell'angolo e farlo scorrere verso il lato con labbri dell'angolo (fig. 4C).
- Inserire l'angolo di scarico nel manicotto in gomma in modo che il labbro dell'angolo si insedi nella scanalatura all'interno del manicotto in gomma. Collocare il morsetto a molla sul manicotto in gomma e fissarlo (fig. 4D). Se si utilizza un tubo diritto, usare un tubo con labbro che corrisponda a quello sull'angolo fornito con il tritarifiuti.



4C

4D

ANELLO ELASTICO A MOLLA

- Se si sta collegando una lavastoviglie, tornare alla sezione COLLEGAMENTO IDRAULICO (2A-B). Altrimenti, verificare che tutti i collegamenti siano saldi e rispettino le normative e ordinanze in materia di idraulica. Far scorrere dell'acqua e controllare la presenza di perdite.

## Interruttore dell'aria attivato

### Blocco interruttore dell'aria del tritarifiuti

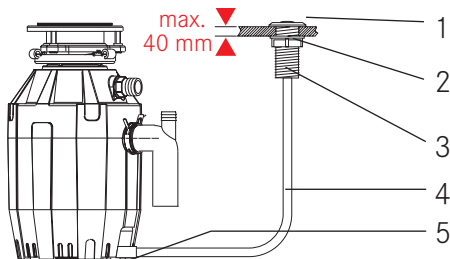
L'attuatore, che è costituito da:

1. Pulsante dell'attuatore
2. Dado dell'attuatore
3. Presa dell'attuatore (porzione filettata)

l'involucro del sensore dell'interruttore dell'aria che è installato nel tritarifiuti. Solo la bocchetta del tubo dell'aria è visibile dall'esterno del tritarifiuti.

Il blocco del tubo dell'aria che è costituito da:

4. Tubo dell'aria, trasparente o nero
5. Dado del tubo dell'aria



### Suggerimenti

- ▶ Verificare che il tritarifiuti sia vuoto prima di usare la lavastoviglie, in modo che possa svuotarsi correttamente.
- ▶ Lasciare il tappo nello scarico del lavello quando il tritarifiuti non è in uso, per evitare che utensili o corpi estranei cadano al suo interno.
- ▶ Il tritarifiuti è un elettrodomestico resistente, pensato per funzionare per molti anni senza bisogno di manutenzione. Sminuzza qualsiasi rifiuto alimentare ma NON è adatto per oggetti quali plastica, lattine di alluminio, tappi di bottiglia, vetro, porcellana, cuoio, tessuto, gomma, stringhe, conchiglie di vongole e ostriche, fogli di alluminio e piume.

### Istruzioni di installazione e di funzionamento

- ▶ In assenza di fori, forare con un trapano dai 35 ai 40 mm nel lavello o nel banco dove collocare il pulsante dell'attuatore (1).
- ▶ Inserire dalla parte superiore la presa dell'attuatore, attraverso il foro.
- ▶ Avvitare il dado dell'attuatore (2) sulla presa dell'attuatore (3) e serrare saldamente a mano.
- ▶ Collegare saldamente il tubo dell'aria: un lato alla presa dell'attuatore (3) e l'altro lato al cavo di alimentazione del tritarifiuti con presa di entrata del sensore nell'impianto elettrico.
- ▶ Per accendere il tritarifiuti, premere il pulsante dell'attuatore (1). Per spegnerlo, premere di nuovo il pulsante dell'attuatore.

## ISTRUZIONI OPERATIVE

Il tritarifiuti è ad alimentazione continua, salvo acquisto specifico di tritarifiuti ad alimentazione batch.

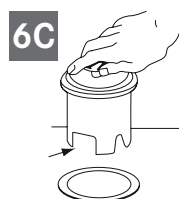
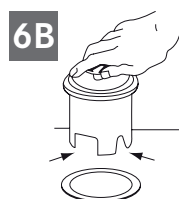
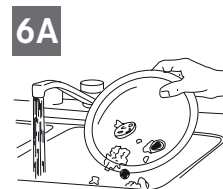
### Alimentazione continua

I giranti anti-inceppamento producono un suono quando si collocano in posizione. Indica il normale funzionamento.

- ▶ Rimuovere il tappo del lavello. Far scorrere un flusso medio di acqua fredda.
- ▶ Portare l'interruttore in posizione ON; il motore funzionerà a pieno regime e sarà pronto per l'uso.
- ▶ Immettere gli scarti alimentari. Nello scarico possono essere inseriti scarti alimentari, bucce, croste, semi, noccioli, piccoli ossi e fondi di caffè. Per accelerare lo smaltimento dei rifiuti, tagliare o spezzare ossi, noccioli e pannocchie di grandi dimensioni. Grandi ossi e bucce fibrose possono richiedere più tempo ed è più semplice gettarli via insieme agli altri scarti. È normale che il tritarifiuti rallenti durante il funzionamento. In tal caso il tritarifiuti aumenta la coppia (la potenza di sminuzzatura) e si tratta di una condizione operativa normale.
- ▶ Prima di spegnere il tritarifiuti, lasciare scorrere acqua e funzionare il tritarifiuti per circa 15 secondi dopo il termine della sminuzzatura. Questo assicura che tutti i rifiuti vengano completamente fatti defluire nel dissipatore e nello scarico.
- ▶ Si consiglia di non utilizzare acqua calda durante l'utilizzo del tritarifiuti. L'acqua fredda aiuta a mantenere solidi rifiuti e grassi, permettendo al tritarifiuti di eliminare le particelle.

### Alimentazione a batch

- ▶ Rimuovere il tappo del lavello. Far scorrere un flusso medio di acqua fredda.
- ▶ Immettere gli scarti alimentari. Nello scarico possono essere inseriti scarti alimentari, bucce vegetali, pannocchie, semi, noccioli, ossi e fondi di caffè (fig. 6A).
- ▶ Inserire il tappo per avviare il tritarifiuti (fig. 6B). Una delle due piccole scanalature alla base del tappo deve allinearsi con lo stantuffo dell'interruttore all'interno del collo del tritarifiuti. Spingere con forza verso il basso per accendere il tritarifiuti. Sollevare il tappo per arrestare il tritarifiuti.
- ▶ Lasciare in funzione il tritarifiuti per 15 secondi dopo il termine della sminuzzatura. Questo assicura che tutti i rifiuti vengano completamente fatti defluire nello scarico.
- ▶ Riempire il lavello, inserire il tappo e allineare la scanalatura più grande con lo stantuffo dell'interruttore (fig. 6C). Spingere verso il basso per sigillare il lavello senza avviare il tritarifiuti. Quando la scanalatura di medie dimensioni (fig. 6B) nella base del tritarifiuti viene allineata con lo stantuffo dell'interruttore, l'acqua è libera di defluire senza che stoviglie, ecc. rischino di cadere accidentalmente nel tritarifiuti.



### CAUTELA

- ▷ Si consiglia di utilizzare acqua fredda.
- ▷ Non utilizzare il tritarifiuti con materiali solidi quali vetro o metall.
- ▷ Spegnere l'elettrodomestico o staccare la spina nel caso in cui fosse necessario sbloccare una piattaforma girevole con un cucchiaio di legno.

**NON IMMETTERE QUANTO SEGUE:**

- Soda caustica e detergenti chimici (acido cloridrico e muriatico), in quanto possono causare seri danni ai componenti meccanici. Un danno di questo genere è facilmente identificabile e invalida qualsiasi garanzia.
- Eccessive quantità di grasso e olio
- Materiali plastici
- Pezzi di zucca
- Bucce di banana
- Foglie di ananas
- Asparagi
- Carciofi
- Conchiglie (per esempio ostriche, cozze, ecc.)
- Medicine
- Metallo (tappi di bottiglie)
- Pezzi di plastica
- Ossa di bovino e/o ossa di grandi dimensioni

**POSSONO ESSERE INSERITI:**

- Pannocchie di granoturco
- Ossa di piccole dimensioni (per esempio ossa di pollo, coniglio)
- Gusci di noci
- Avanzi di carne
- Bucce di melone, cocomero
- Semi di frutti
- Acini d'uva
- Grani di riso
- Chicchi di caffè
- Gusci di uova
- Lische di pesce
- Teste di pesce
- Pasta
- Verdure o bucce di verdure
- Formaggi
- Pane
- Minestre

## RISOLUZIONE DEI PROBLEMI

---

Prima di provare a riparare o sostituire dei componenti, si consiglia di effettuare i controlli seguenti:

**RUMORI** (non quelli emessi durante la triturazione di ossa di piccole dimensioni e di noccioli di frutta): generalmente sono provocati dall'immissione accidentale di un cucchiaino, un tappo di bottiglia o un oggetto estraneo.

- ▶ Per rimediare al problema, dopo l'arresto dell'apparecchio, spegnerlo e scollegarlo dall'alimentazione idrica.

**L'APPARECCHIO NON SI AVVIA:**

- ▶ Scollegare il cavo elettrico o spegnere l'interruttore a parete o l'interruttore nel quadro elettrico, in base al modello e alla configurazione del cablaggio.
- ▶ Rimuovere il tappo e/o il paraspruzzi. Con il manico in legno di una scopa controllare se il piano rotante ruota liberamente. Se ruota liberamente, sostituire il paraspruzzi e controllare se è scattato il pulsante "Reset". Il pulsante "Reset" è rosso e si trova dalla parte opposta del gomito di scarico, vicino alla base dell'apparecchio (fig. 3). Premere il pulsante finché non si avverte uno scatto e rimane premuto.

- ▶ Se il pulsante "Reset" non è scattato, controllare se si è verificato un cortocircuito o se si è rotto un cavo elettrico. Controllare l'interruttore elettrico o la scatola dei fusibili. Se il cablaggio e i componenti elettrici sono intatti, l'apparecchio potrebbe avere problemi interni che richiedono una riparazione o sostituzione di componenti.

**SE IL PIANO ROTANTE NON RUOTA LIBERAMENTE:**

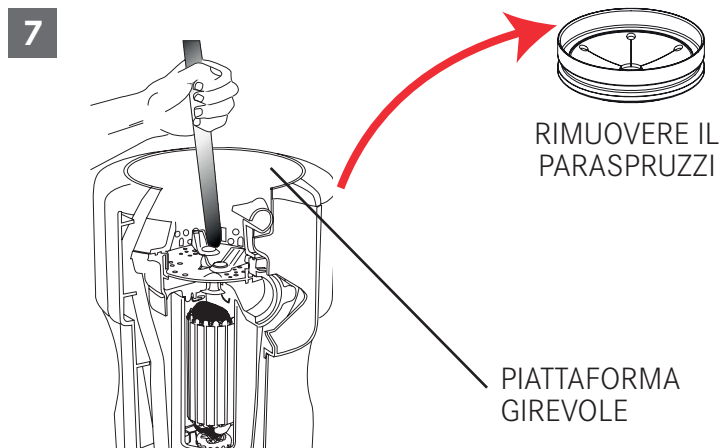
- ▶ Spegner l'apparecchio, controllare se vi sono oggetti estranei fra il piano rotante e il disco rotore. Spostare l'oggetto ruotando il piano con il manico in legno di una scopa e rimuovere l'oggetto (figura 7). Se non è presente alcun oggetto estraneo, possono esservi problemi interni.

**PERDITE:** se l'apparecchio perde dalla parte superiore, ciò può essere dovuto a:

- La flangia del lavello non è inserita correttamente (centraggio della guarnizione, mastice o serraggio).
- L'anello di supporto non è serrato correttamente.
- Il supporto della guarnizione è difettoso o installato scorrettamente.



Se l'apparecchio ha una perdita in corrispondenza del gomito dello scarico, può essere dovuta a un serraggio scorretto delle viti della flangia del gomito.



## PULIZIA E MANUTENZIONE

### NON LUBRIFICARE IL TRITARIFIUTI!

Il motore viene lubrificato permanentemente. Il tritarifiuti si pulisce autonomamente e lava i propri componenti interni a ogni utilizzo. Non immettere **mai** soda caustica o detergenti chimici, come acido cloridrico o muriatico per disgorgare lo scarico del lavello, nel tritarifiuti. Questi prodotti possono causare seri danni alle parti metalliche.

Un danno di questo genere è facilmente identificabile e invalida qualsiasi garanzia. È possibile che si formino depositi minerali sulla piattaforma girevole in acciaio inox, simili a ruggine. **Non** bisogna allarmarsi, le piattaforme girevoli in acciaio inox usate non si corrodono.

## SMALTIMENTO



Questo simbolo sul prodotto o sulla confezione indica che il dispositivo non deve essere smaltito con i normali rifiuti domestici.

Lo smaltimento adeguato del dispositivo contribuisce a evitare conseguenze dannose per l'ambiente e la salute. Maggiori informazioni sul riciclaggio del dispositivo possono essere ottenute dall'autorità competente, dal servizio di smaltimento rifiuti locale o dal fornitore del dispositivo.

- ▷ Smaltire il dispositivo presso un punto di raccolta rifiuti specializzato per dispositivi elettrici ed elettronici.

Smaltimento ai sensi dell'articolo del Decreto legislativo n. 15 datato 25 luglio, Applicazione delle direttive, 2002/96/CE, riguardanti la riduzione delle sostanze pericolose utilizzate nei dispositivi elettrici ed elettronici, e lo smaltimento dei rifiuti”.

Il simbolo del bidone dei rifiuti barrato presente sul dispositivo indica che al termine della sua vita utile il prodotto non deve essere smaltito insieme ai comuni rifiuti domestici.

Quindi, quando il dispositivo raggiunge la fine della sua vita operativa, l'utilizzatore deve conferirlo a un apposito centro di riciclaggio di rifiuti elettrici ed elettronici oppure restituirlo al negoziante in caso di acquisto di un nuovo dispositivo di tipo equivalente.

L'adeguata raccolta differenziata del dispositivo rottamato per il successivo riciclaggio, trattamento e smaltimento ecocompatibile contribuisce a evitare un impatto potenzialmente negativo sull'ambiente e sulla salute e facilita il riciclaggio dei materiali utilizzati nella produzione del dispositivo.

Il tritarifiuti deve essere usato esclusivamente per rifiuti domestici.

# ÍNDICE

---

Acerca de este manual	51
Uso previsto	51
Información de seguridad	52
Piezas de montaje	53
Eliminación de la unidad antigua	54
Conexión de fontanería	55
Instalación del conjunto de montaje	55
Conexión eléctrica	57
Colocación del codo de descarga	57
Interruptor de aire accionado	58
Instrucciones de funcionamiento	59
Alimentación continua	59
Alimentación por lotes	59
Localización de averías	60
Limpieza y mantenimiento	61
Eliminación	61

## ACERCA DE ESTE MANUAL

Este manual se aplica a varios modelos del dispositivo. Por ello, puede que algunas de las funciones que se describen no estén disponibles en su modelo en concreto.

FRANKE se reserva el derecho de hacer modificaciones en el producto sin aviso previo. Toda la información es correcta en el momento de su expedición.

- ▶ Guarde el manual del usuario.
- ▶ Use el dispositivo descrito en este manual única y exclusivamente para su uso previsto.

Symbol	Significado
	Símbolo de advertencia. Advertencia contra riesgos de lesión.
▷	Medidas de seguridad y notas de advertencia para evitar lesiones o daños.
▶	Medida activa. Especifica una acción a realizar.
■	Resultado. Resultado de una o más acciones.
✓	Condición previa que debe cumplirse para realizar la acción siguiente.



Símbolo de advertencia. Advertencia contra riesgos de lesión.



Medidas de seguridad y notas de advertencia para evitar lesiones o daños.



Medida activa. Especifica una acción a realizar.



Resultado. Resultado de una o más acciones.



Condición previa que debe cumplirse para realizar la acción siguiente.

## USO PREVISTO

El triturador de residuos es un dispositivo eléctrico que se instala bajo el fregadero con el fin de desmenuzar los residuos alimentarios en trozos.

Asegúrese de que las autoridades permitan la instalación del triturador de residuos.

- ▷ Utilice el triturador de residuos solo para residuos alimentarios.

## INFORMACIÓN DE SEGURIDAD

---

INSTRUCCIONES RELATIVAS AL RIESGO DE INCENDIO, DESCARGA ELÉCTRICA O LESIONES A PERSONAS.

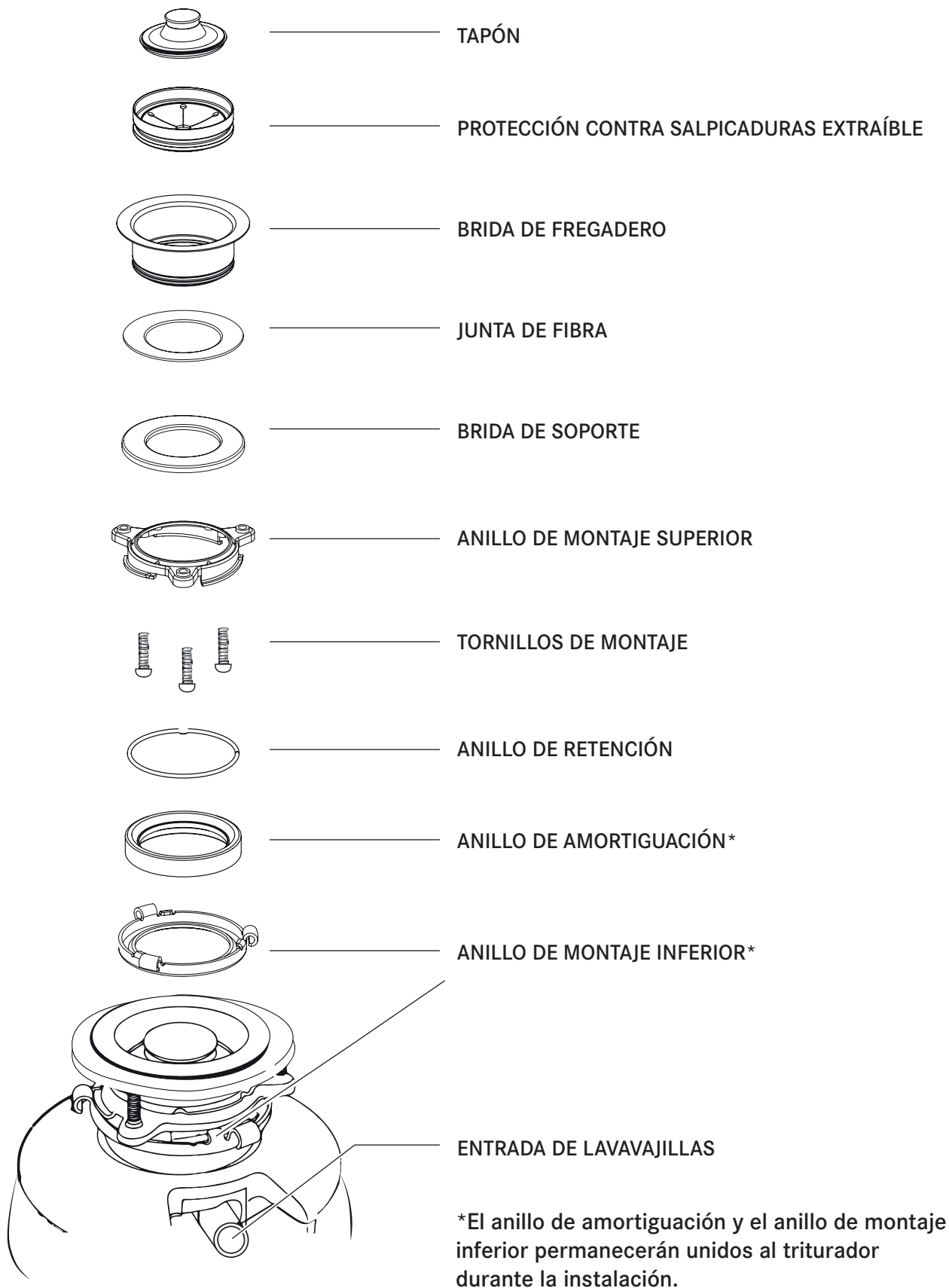


**ADVERTENCIA:** Cuando utilice aparatos eléctricos, siempre debe respetar las precauciones básicas, incluyendo las siguientes:

- ▷ Lea todas las instrucciones antes de utilizar el dispositivo.
- ▷ Para reducir el riesgo de lesiones, se requiere una supervisión exhaustiva si el dispositivo se utiliza cerca de niños.
- ▷ No ponga los dedos ni las manos en un triturador de residuos.
- ▷ Coloque el interruptor de alimentación en posición de apagado antes de intentar eliminar un atasco o retirar un objeto del triturador.
- ▷ Cuando intente deshacer un atasco de un triturador de residuos, utilice un objeto largo de madera, como una cuchara de madera o el palo de madera de una escoba o una fregona.
- ▷ Cuando intente retirar objetos de un triturador de residuos, utilice pinzas o alicates de mango largo. Si el triturador se acciona magnéticamente, debe utilizar herramientas no magnéticas.
- ▷ Para reducir el riesgo de lesiones por materiales expulsados de un triturador de residuos, no introduzca los siguientes materiales: conchas de almejas u ostras; limpiadores de drenajes cáusticos o productos similares; vidrio, porcelana o plástico; huesos enteros grandes; metal, como tapones de botellas, latas, papel de aluminio o utensilios; grasas calientes u otros líquidos calientes o cáscaras enteras de maíz.
- ▷ Cuando no utilice un triturador, deje el tapón en su lugar para reducir el riesgo de que caigan dentro objetos.
- ▷ NO utilice el triturador a menos que el protector contra salpicaduras esté en su sitio.
- ▷ Para consultar las instrucciones de puesta a tierra, consulte la sección CONEXIONES ELÉCTRICAS del presente manual.
- ▷ **Este triturador de residuos ha sido diseñado para funcionar exclusivamente en 220-240 V~, 50/60 Hz. El uso de cualquier otro voltaje o Hz perjudicará el rendimiento.**

El receptáculo al que se conecta el dispositivo debe estar controlado por un interruptor.

## PIEZAS DE MONTAJE



## ELIMINACIÓN DE LA UNIDAD ANTIGUA

INSTRUCCIONES ESTÁNDAR, SU MODELO PUEDE VARIAR.

- ▷ Antes de comenzar este paso, **desconecte la alimentación eléctrica** en el disyuntor o en la caja de fusibles.
- ▷ **Desenchufe el triturador.**

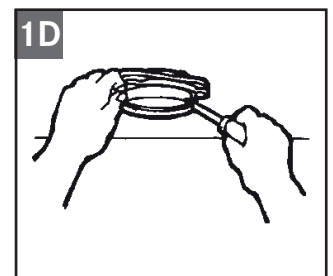
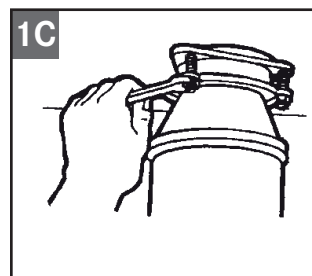
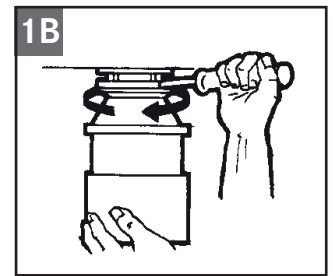
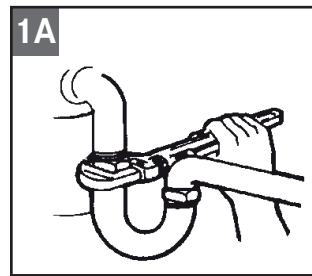
Si su soporte antiguo es del mismo tipo que el de su triturador nuevo, simplemente siga las instrucciones de montaje que se encuentran en Instalación del soporte. Si su nuevo sistema de montaje es diferente, siga estas instrucciones:

- ▶ Tenga un contenedor disponible para recoger cualquier exceso de agua/residuos del triturador actual.
- ▶ Utilice una llave de tubo para desconectar la línea de drenaje donde se conecta al codo de descarga del triturador (figura 1A).
- ▶ Retire el triturador de la brida del fregadero girando el anillo de montaje hacia la izquierda, en el sentido de las agujas del reloj (figura 1B). Si no puede girar el anillo de montaje, golpee una de las extensiones del anillo con un martillo. Algunos sistemas de montaje tienen extensiones tubulares. Si inserta un destornillador en un tubo dispondrá de una palanca adicional para girar el anillo de montaje (figura 1B). En algunos trituradores a veces es necesario extraer o aflojar las tuercas de los tornillos de montaje (figura 1C). En algunos trituradores también puede ser necesario retirar una abrazadera.

**PRECAUCIÓN:** Asegúrese de sujetar el triturador mientras realiza este paso o podría caerse al desconectar el anillo de montaje del conjunto de montaje.

- ▶ Para quitar el sistema de montaje restante del fregadero, afloje los tornillos y empuje el anillo de montaje hacia arriba. El anillo de presión se encuentra debajo. Utilice un destornillador para sacar el anillo (figura 1D). Retire el anillo de montaje, el anillo protector y la junta de la brida del fregadero. Algunos soportes requerirán desenroscar un anillo grande que sujeta la brida del fregadero en su lugar. Tire de la brida del fregadero hacia arriba a través de este y limpie la vieja masilla.
- ▶ Asegúrese de que el fregadero quede limpio y completamente seco.

**IMPORTANTE:** Antes de instalar el triturador nuevo, es un buen momento para limpiar el sifón y drenar las tuberías mediante una barrena de drenaje o un desatascador alargado.

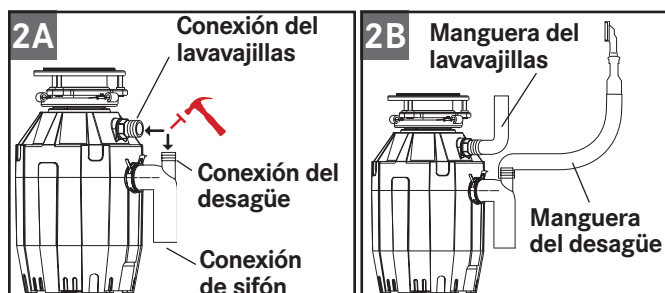


## CONEXIÓN DE FONTANERÍA

Si **no va a conectar** el lavavajillas y/o el desagüe, vaya a la siguiente sección.

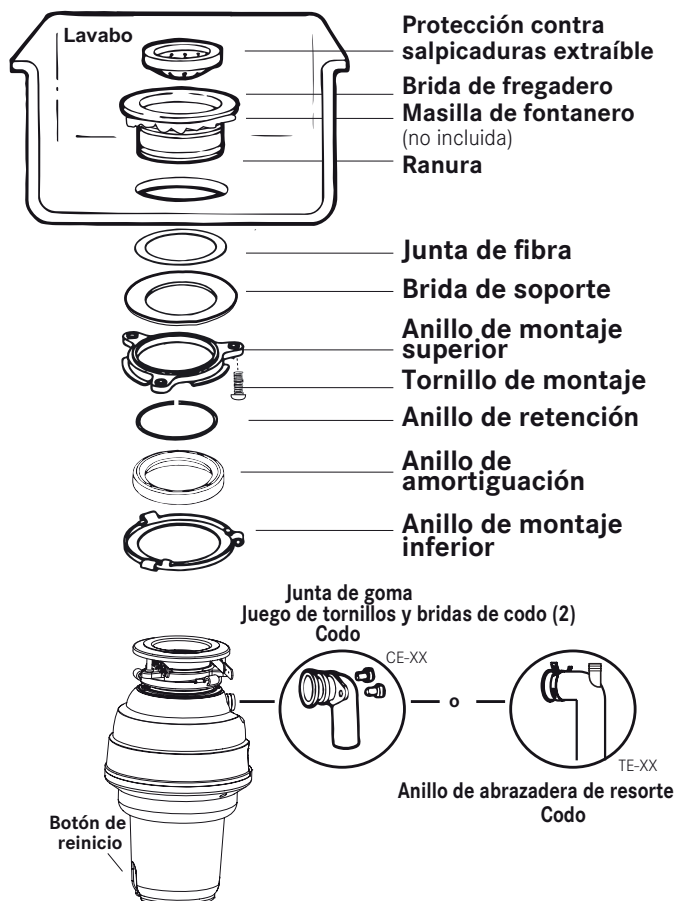
Si está utilizando un lavavajillas, deberá conectarlo preferiblemente a la conexión relevante en el sifón directamente. Si no se dispone de una conexión de lavavajillas en el sifón, complete el siguiente procedimiento:

- ▶ Utilizando un instrumento contundente (punzón de acero o clavija de madera), quite completamente el tapón (figura 2A). No utilice un destornillador ni un instrumento afilado. (Cuando el tapón ciego caiga en el triturador, puede quitarlo o triturarlo cuando se use el triturador. Esto no dañará el triturador, pero puede tardar un tiempo considerable en triturarlo).



- ▶ Conecte la manguera del desagüe (figura 2B) con la abrazadera de la manguera. Si el tamaño de la manguera es diferente, necesitará un adaptador de goma escalonado.
- ▶ Conecte la manguera del lavavajillas (figura 2B) con la abrazadera de la manguera. Asegúrese de que todas las conexiones de fontanería sean estancas y de que cumplan todos los códigos y ordenanzas de fontanería. Deje correr el agua y compruebe que no haya fugas.

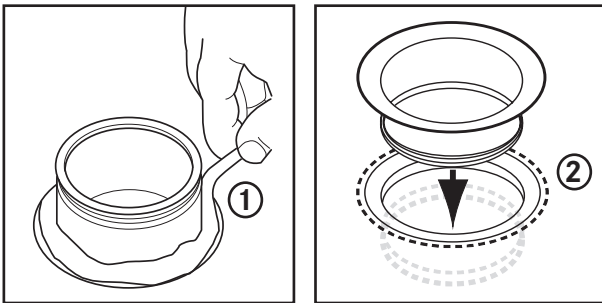
## INSTALACIÓN DEL CONJUNTO DE MONTAJE



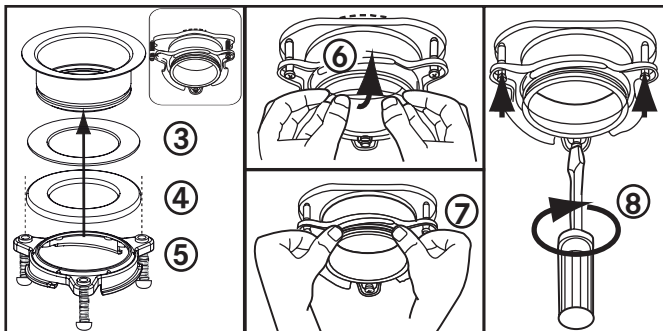
**NOTA:** Los componentes de montaje se ensamblan fuera de la caja en el mismo orden en el que se montarán en el fregadero, así que preste atención al orden de los componentes del sistema de montaje antes de desmontarlos.

- ▶ **El anillo de amortiguación y el anillo de montaje inferior permanecerán unidos al triturador durante la instalación.** Desmonte los otros componentes del conjunto de montaje girando el anillo de montaje inferior en el sentido de las agujas del reloj hasta que las lengüetas del anillo de montaje inferior se deslicen de la rampa del anillo de montaje superior. Esto le permitirá separar el conjunto de montaje superior del conjunto de montaje inferior restante.
- ▶ Desatornille los 3 tornillos de montaje hasta que pueda mover el anillo de montaje superior a la parte superior de la brida de soporte. Retire el anillo de retención con un destornillador.

- ▶ Mantenga las piezas restantes juntas en el mismo orden en el que se quitaron. Antes de conectar el triturador al conjunto de montaje bajo el fregadero, asegúrese de que el anillo de montaje inferior se encuentra en su lugar y de que el anillo de amortiguación negro sigue conectado correctamente a la parte superior de la abertura del triturador. (No quite el anillo de amortiguación).
- ▶ Asegúrese de que el fregadero quede limpio. Aplique una gota de masilla de fontanero en la brida del fregadero (1). Desde la parte superior del fregadero, empuje la brida del fregadero hacia abajo contra la abertura del fregadero para garantizar un buen sellado (2). **No mueva ni gire** la brida del fregadero una vez que se haya asentado o podría romper el sellado.

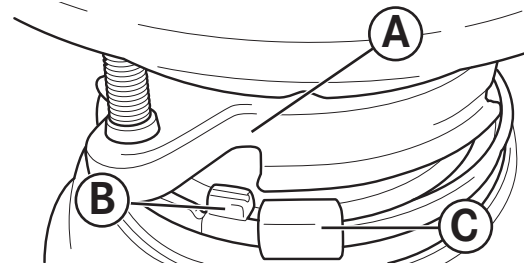


- ▶ Coloque un objeto pesado, como el triturador (utilice una toalla para evitar rasgar el fregadero), en la parte superior de la brida del fregadero para apretarla.
- ▶ Tome la parte restante del conjunto de montaje que dejó a un lado. Desde debajo del fregadero, inserte la junta de fibra (3), la brida de soporte (4) y, a continuación, el anillo de montaje superior (5).
- ▶ Sujete las tres piezas mientras coloca el anillo de retención (6) tirando de él y deslizándolo sobre la brida del fregadero (7) hasta que encaje en su ranura (7).

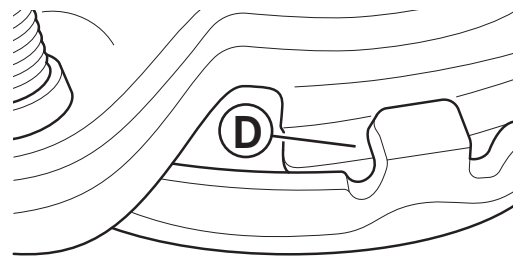


- ▶ Apriete los tres tornillos de montaje de forma uniforme y firme contra la brida de soporte (8). No los apriete demasiado.
- ▶ Recorte el exceso de masilla de fontanero.

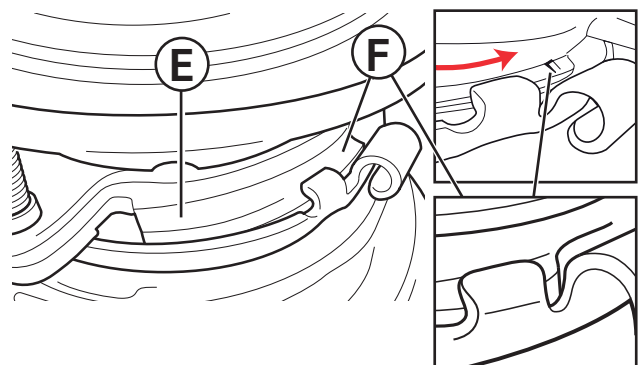
- ▶ Coloque el triturador en el anillo de montaje superior alineando las tres lengüetas de montaje en el anillo de montaje inferior con las rampas de deslizamiento del anillo de montaje superior y girándolo en sentido contrario a las agujas del reloj.



- ▶ El anillo de montaje inferior (que forma parte del triturador) cuenta con 3 lengüetas que sujetan la rampa del anillo de montaje. (A) apunta al anillo de montaje superior. (B) es la lengüeta que se desliza hacia arriba sobre la «rampa». (C) es el «oreja» que se utiliza para girar el anillo de montaje inferior.
- ▶ En caso necesario, utilice un destornillador a modo de palanca.



- ▶ Levante y gire el anillo de montaje inferior en sentido contrario a las agujas del reloj hasta que las tres lengüetas de montaje queden bloqueadas sobre las crestas (F) de las rampas deslizantes (D) del anillo de montaje superior.



- ▶ A medida que vaya girando el anillo de montaje inferior en sentido contrario a las agujas del reloj, cada lengüeta se irá deslizando hacia arriba sobre la rampa del anillo de montaje superior (E) hasta quedar bloqueadas en posición sobre las crestas (F).



- ▶ En caso necesario, utilice un destornillador o un tornillo a modo de palanca.
- ▶ Si necesita desmontar un triturador, golpear ligeramente la oreja en el sentido de las agujas del reloj con un martillo aflojará fácilmente el anillo de montaje inferior.

## Conexión eléctrica

- ▶ Conecte el triturador a una corriente doméstica apropiada.

El receptáculo al que se conecta el dispositivo debe estar controlado por un interruptor.

**⚠ ADVERTENCIA:** Una conexión incorrecta del conductor de puesta a tierra del equipo puede provocar riesgo de **descarga eléctrica**. Si tiene dudas sobre si el dispositivo está correctamente conectado a tierra, consulte a un electricista o a un técnico cualificado. No modifique el conector suministrado con el dispositivo si no encaja en la toma de corriente. Tenga una toma de corriente adecuada instalada por un electricista cualificado.

## Instrucciones de puesta a tierra

PARA TRITURADORES DE RESIDUOS EQUIPADOS CON UN CABLE DE ALIMENTACIÓN CON CONEXIÓN A TIERRA

- ▶ Este dispositivo debe estar conectado a tierra. En caso de mal funcionamiento o avería, la puesta a tierra proporciona una trayectoria de menor resistencia a la corriente eléctrica con el fin de reducir el riesgo de descarga eléctrica. Este dispositivo está equipado con un cable que dispone de un conductor de puesta a tierra y un conector de conexión a tierra.
- ▶ El conector debe estar enchufado en una toma de corriente apropiada, correctamente instalada y conectada a tierra conforme a todos los códigos y ordenanzas locales.
- ▶ Si el cable de alimentación está dañado, el fabricante, el agente de servicios o persona igualmente cualificada debe sustituirlo para evitar cualquier tipo de riesgo.

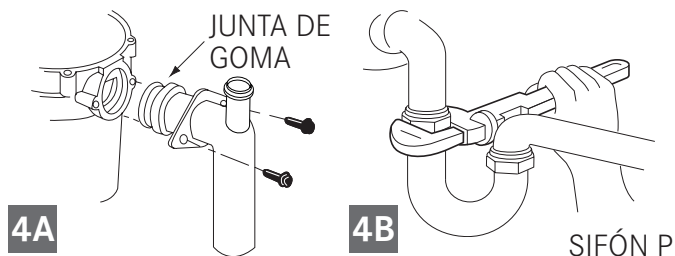
**Retirar un cable de alimentación o un conector anula la garantía.**

## Colocación del codo de descarga

MODELOS CE-50, CE-75, TE-75S

- ▶ Conecte el codo de residuos al triturador deslizando la brida contra la junta de goma del codo y atornillando los tornillos en el triturador (figura 4A). A continuación, conecte la parte

inferior del codo apretando la tuerca deslizante (figura 4B). Si se utiliza una tubería recta, debe contar con un borde similar al del codo. Retire la junta del codo e instálela en la tubería recta con el extremo plano de la junta apuntando hacia la abertura de descarga del triturador.



Si está realizando la conexión a un lavavajillas, vuelva a la sección CONEXIÓN DE FONTANERÍA (2A-B). En caso contrario, asegúrese de que todas las conexiones de fontanería sean estancas y de que cumplan todos los códigos y ordenanzas de fontanería. Deje correr el agua y compruebe que no haya fugas.

MODELOS TE-50, TE-75, TE-125, TE-125BF

- ▶ Presione las alas de la abrazadera de resorte para extraerla de la manga de goma. Deslice la abrazadera de resorte sobre el lado liso del codo y deslícela hacia el lado con borde del codo. (figura 4C).
- ▶ Inserte el codo de residuos en la manga de goma para que el extremo del codo se ajuste a la ranura situada dentro de la manga de goma. Coloque la abrazadera de resorte sobre la manga de goma y asegúrela (figura 4D). Si usa un tubo recto, utilice uno con un extremo que coincida con el extremo del codo suministrado con el triturador.



- ▶ Si está realizando la conexión a un lavavajillas, vuelva a la sección CONEXIÓN DE FONTANERÍA (2A-B). En caso contrario, asegúrese de que todas las conexiones de fontanería sean estancas y de que cumplan todos los códigos y ordenanzas de fontanería. Deje correr el agua y compruebe que no haya fugas.

## Interruptor de aire accionado

### Conjunto de interruptor de aire del triturador

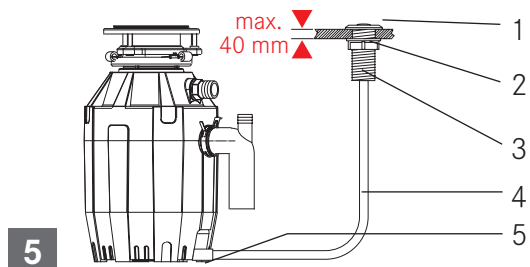
El actuador está formado por:

1. Botón del actuador
2. Tuerca del actuador
3. Salida del actuador (parte con rosca)

La caja del sensor de interruptor de aire que se instala en el triturador. Solo la boquilla del tubo de aire es visible desde el exterior del triturador.

El conjunto de tubo de aire consta de:

4. Tubo de aire transparente o negro
5. Tuerca del tubo de aire



5

### Instrucciones de instalación y funcionamiento

- ▶ Si todavía no existe un orificio, taladre uno de 35 mm a 40 mm en el fregadero o en la encimera donde se va a colocar el botón del actuador (1).
- ▶ Inserte, desde la parte superior, la salida del actuador a través del agujero taladrado.
- ▶ Enrosque la tuerca del actuador (2) en la salida de este (3) y apriétela firmemente con la mano.

- ▶ Conecte firmemente el tubo de aire: un lado a la salida del actuador (3) y el otro a la entrada del sensor.
- ▶ Conecte el cable de alimentación del triturador al servicio eléctrico principal.
- ▶ Para encender el triturador, pulse el botón del actuador (1). Para apagarlo, vuelva a pulsar el botón del actuador.

### Sugerencias

- ▶ Asegúrese de que el triturador esté vacío antes de usar su lavavajillas para que pueda drenar adecuadamente.
- ▶ Es posible que desee dejar el tapón en el desagüe del fregadero cuando no esté en uso para evitar que utensilios y objetos extraños caigan dentro del triturador.
- ▶ Su triturador se ha diseñado a conciencia para garantizar muchos años de servicio libres de problemas. Funciona con cualquier desecho alimentario convencional, pero NO triturará ni eliminará elementos como: plástico, latas, tapas de botellas, vasos, porcelana, cuero, tela, goma, cuerdas, conchas de almejas y ostras, papel de aluminio o plumas.

## INSTRUCCIONES DE FUNCIONAMIENTO

Su triturador cuenta con una alimentación continua si no ha adquirido específicamente un triturador con alimentación por lotes.

### Alimentación continua

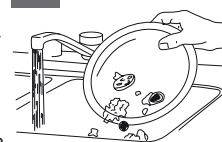
Los impulsores giratorios antiatascos hacen un sonido de chasquido cuando oscilan. Esto indica un funcionamiento normal.

- ▶ Retire el tapón del fregadero. Abra el grifo con un flujo intermedio de agua fría.
- ▶ Gire el interruptor a la posición de encendido; el motor gira a plena velocidad y está listo para su uso.
- ▶ Vierta los desperdicios de comida. Por el desagüe caen migajas de comida, cortezas, cáscaras, semillas, pepitas de fruta, pequeños huesos y posos de café. Para acelerar la trituración de los desperdicios de comida, corte o rompa los huesos, cáscaras y mazorcas grandes. Los huesos grandes y las cáscaras fibrosas requieren un tiempo considerable de trituración y se desechan con más facilidad con otro tipo de basura. No se alarme si el triturador reduce la velocidad durante la trituración. En realidad, el triturador está incrementando el par (potencia de trituración) y funcionando en condiciones normales.
- ▶ Antes de desconectar el triturador, deje que corra el agua y que el triturador funcione durante aproximadamente 15 segundos después de finalizar la trituración. Esto garantiza que todos los desperdicios se vayan totalmente por el sifón y el desagüe.
- ▶ No se recomienda utilizar agua caliente mientras esté funcionando el triturador. El agua fría mantiene sólidos los desperdicios y las grasas para que el triturador pueda eliminar las partículas.

### Alimentación por lotes

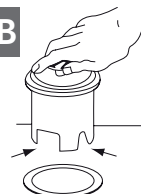
- ▶ Retire el tapón del fregadero. Abra el flujo de agua fría a la mitad.
- ▶ Raspe los residuos de alimentos. Por el desagüe van los desechos de la mesa, las mondas de verduras, mazorcas, cortezas, huesos y granos de café (figura 6A).

6A



- ▶ Introduzca el tapón para poner en marcha el triturador (figura 6B). Una de las dos pequeñas ranuras situadas en la base del tapón debe alinearse con el émbolo del interruptor dentro del cuello del triturador. Empuje firmemente hacia abajo para encender el triturador.

6B



- ▶ Haga funcionar el triturador durante 15 segundos tras detener la trituración. Esto asegura que todos los residuos se limpien a fondo por el desagüe.

- ▶ Para llenar el fregadero, inserte el tapón y alinee la ranura más grande con el émbolo del interruptor (figura 6C). Empuje hacia abajo para sellar el fregadero sin arrancar el triturador. Cuando la ranura mediana (figura 6B) de la base del tapón está alineada con el émbolo del interruptor, el agua puede drenar, pero la vajilla, etc., no puede caer accidentalmente en el triturador.

6C



### PRECAUCIÓN

- ▷ Se recomienda utilizar agua fría.
- ▷ No utilice el triturador de residuos con materiales duros como vidrio o metal.
- ▷ Apague la máquina o desenchúfela mientras intenta desbloquear una placa giratoria bloqueada con una cuchara de madera.

**NO VIERTA:**

- Lejía y limpiadores químicos de desagüe (ácido clorhídrico y muriático), ya que pueden provocar corrosión grave en las piezas de metal. De lo contrario, los daños resultantes se pueden detectar fácilmente y se anularán todas las garantías.
- Grasa y aceite en exceso
- Materiales plásticos
- Calabaza
- Cáscaras de plátano
- Hojas de piña
- Espárragos
- Alcachofas
- Conchas (ostras, mejillones, etc.)
- Medicinas
- Metales (tapones de botellas)
- Piezas de plástico
- Huesos de vaca y/o de grandes dimensiones

**PUEDE VERTER:**

- Mazorcas de maíz
- Pequeños huesos (huesos de pollo o conejo)
- Cáscaras de nuez
- Restos de carne
- Cáscaras de melón o sandía
- Semillas de frutas
- Racimos de uva
- Granos de arroz
- Granos de café
- Cáscaras de huevo
- Espinas de pescado
- Cabezas de pescado
- Pasta
- Verduras o piel de verduras
- Queso
- Pan
- Sopa

## LOCALIZACIÓN DE AVERÍAS

---

Antes de encargar una reparación o sustitución, le recomendamos que revise lo siguiente:

**RUIDOS FUERTES** (diferentes a los que se generan durante la trituración de pequeños huesos y pepitas de fruta): éstos se deben generalmente a la entrada accidental de una cuchara, tapón de botella u otro objeto extraño.

- ▶ Para corregirlo, desconecte el interruptor eléctrico y cierre el agua una vez detenido el triturador.

**LA UNIDAD NO ARRANCA:**

- ▶ Desenchufe el cable de alimentación o gire el interruptor de pared o el interruptor de la caja de disyuntores a la posición de apagado "OFF" en función del modelo y de la configuración del cableado.
- ▶ Retire el tapón y / o el protector contra salpicaduras. Compruebe si la plataforma giratoria gira libremente con el mango de una escoba de madera. Si la plataforma giratoria gira libremente, sustituya la protección contra salpicaduras y compruebe el botón reset para ver si se ha activado. El botón reset es rojo y está situado frente al codo de descarga, cerca de la parte inferior (Fig. 3). Pulse el botón hasta que haga clic y permanezca pulsado.

- ▶ Si no se ha activado el botón reset, compruebe si hay algún cable cortocircuitado o roto que conecte con el triturador. Compruebe el interruptor de alimentación eléctrica, la caja de fusibles o el disyuntor. Si el cableado y los componentes eléctricos están intactos, la unidad puede tener problemas internos que requieran mantenimiento o sustitución.

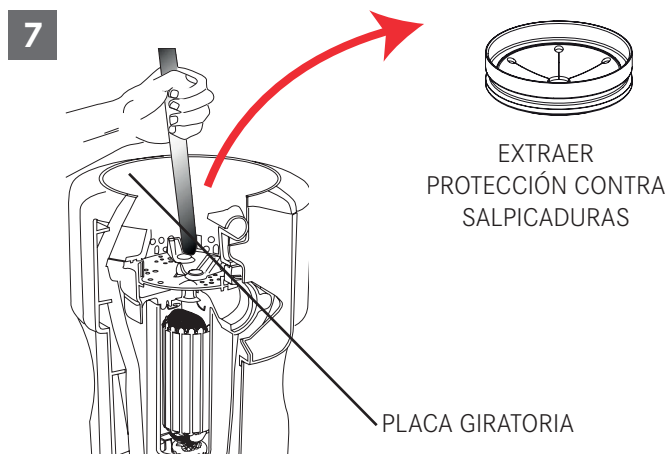
**SI LA PLATAFORMA GIRATORIA NO GIRA LIBREMENTE:**

- ▶ Desconecte el triturador y compruebe si hay algún objeto extraño alojado entre la plataforma giratoria y el anillo de trituración. Desaloje el objeto girando la plataforma con el mango de una escoba de madera y retire el objeto (Fig. 7). Si no se encuentra ningún objeto extraño, puede haber problemas internos.

FUGAS: si la unidad tiene fugas en la parte superior, esto se puede deber a:

- Asiento indebido de la brida de fregadero (centrado de la junta, masilla o apriete).
- El anillo de soporte no se ha apretado correctamente.
- El soporte del cojín es defectuoso o se ha instalado incorrectamente.

Si la unidad tiene fugas en el codo de desperdicios, la fuga se puede deber a un apriete incorrecto de los tornillos de la brida de codo.



## LIMPIEZA Y MANTENIMIENTO

¡NO INTENTAR LUBRICAR EL TRITURADOR!

El motor está permanentemente lubricado. El triturador se limpia automáticamente y lava las piezas internas cada vez que se utiliza. **Nunca** vierta en el triturador lejía ni limpiadores químicos de desagüe como, por ejemplo, ácido clorhídrico y muriático o productos para desatascar el desagüe de fregadero, ya que pueden provocar corrosión grave en las piezas de metal.

De lo contrario, los daños resultantes se pueden detectar fácilmente y se anularán todas las garantías. Se pueden formar depósitos minerales procedentes del agua en la plataforma giratoria de acero inoxidable, dando aspecto de óxido. **No** se alarme, las plataformas giratorias de acero inoxidable utilizadas no se oxidarán.

## ELIMINACIÓN



El símbolo indicado en el producto o en el embalaje indica que el dispositivo no debe desecharse como parte de los residuos domésticos.

Desechando correctamente el dispositivo, usted contribuye a cuidar el medioambiente y a evitar efectos perjudiciales para la salud.

Para más información acerca del reciclaje del dispositivo, consulte a las autoridades competentes, a la empresa encargada de la eliminación de desechos a nivel local, o bien al vendedor del dispositivo.

- ▷ Si va a desechar definitivamente el dispositivo, hágalo en un punto de recogida de residuos especializado en dispositivos eléctricos y electrónicos.

De conformidad con el artículo del Decreto Ley N<sup>o</sup> 15 con fecha del 25 de julio, Implementación de las Directiva 2002/96/CEE en relación a la reducción de las sustancias peligrosas usadas en aparatos eléctricos y electrónicos, y la eliminación de residuos».

El símbolo de cubo de la basura tachado que hay en el aparato significa que, al final de su vida útil, el producto no debe eliminarse junto con los desechos domésticos normales.

Por lo tanto, cuando el aparato haya alcanzado el final de su vida útil, el usuario debe llevarlo a un centro de reciclaje especializado en residuos electrónicos y electrotécnicos, o bien devolverlo al proveedor al comprar un aparato nuevo de similares características.

Una adecuada recogida de desechos clasificados del aparato desmontado contribuye a evitar un posible impacto negativo en el medioambiente y potenciales efectos nocivos para la salud, y además facilita el reciclaje de los materiales usados en la fabricación de aparatos.

El triturador de desperdicios de comida sólo está destinado a uso doméstico.

# ÍNDICE

---

Acerca deste manual	63
Utilização prevista	63
Informação sobre segurança	63
Peças de montagem	64
Remoção da unidade antiga	65
Ligação da canalização	66
Instalação do conjunto de fixação	66
Ligação elétrica	68
Ligação do tubo curvo de descarga	68
Operação do interruptor de ar	69
Instruções de operação	69
Alimentação contínua	69
Alimentação por lotes	70
Resolução de problemas	71
Limpeza e manutenção	72
Eliminação	72

## ACERCA DESTE MANUAL

Este manual do utilizador aplica-se a diversos modelos do aparelho. Assim, algumas das funcionalidades e funções descritas podem não estar disponíveis no seu modelo específico.

A FRANKE reserva-se o direito de realizar modificações no produto sem aviso prévio. Todas as informações estão corretas no momento da edição.

- ▶ Guarde o manual do utilizador.
- ▶ Utilize o aparelho descrito neste manual do utilizador apenas de acordo com a utilização pretendida.

Símbolo	Significado
	Símbolo de aviso. Aviso contra riscos de ferimentos.
▷	Ações nas notas de segurança e de aviso para evitar ferimentos ou danos.
▶	Passo de ação. Especifica uma ação a realizar.
■	Resultado. Resultado de um ou mais passos de ação.
✓	Pré-condição que tem de ser satisfeita antes de se efetuar a ação seguinte.

## UTILIZAÇÃO PREVISTA

O triturador de resíduos alimentares é um aparelho elétrico que deve ser instalado debaixo do lavatório para triturar os resíduos alimentares em pequenos pedaços.

Certifique-se de que a instalação do triturador é permitida pelas autoridades.

- ▷ Utilize o triturador de resíduos apenas para resíduos alimentares.

## INFORMAÇÃO SOBRE SEGURANÇA

INSTRUÇÕES RELACIONADAS COM O RISCO DE INCÊNDIO, CHOQUE ELÉTRICO OU FERIMENTOS CAUSADOS A UMA OU MAIS PESSOAS.

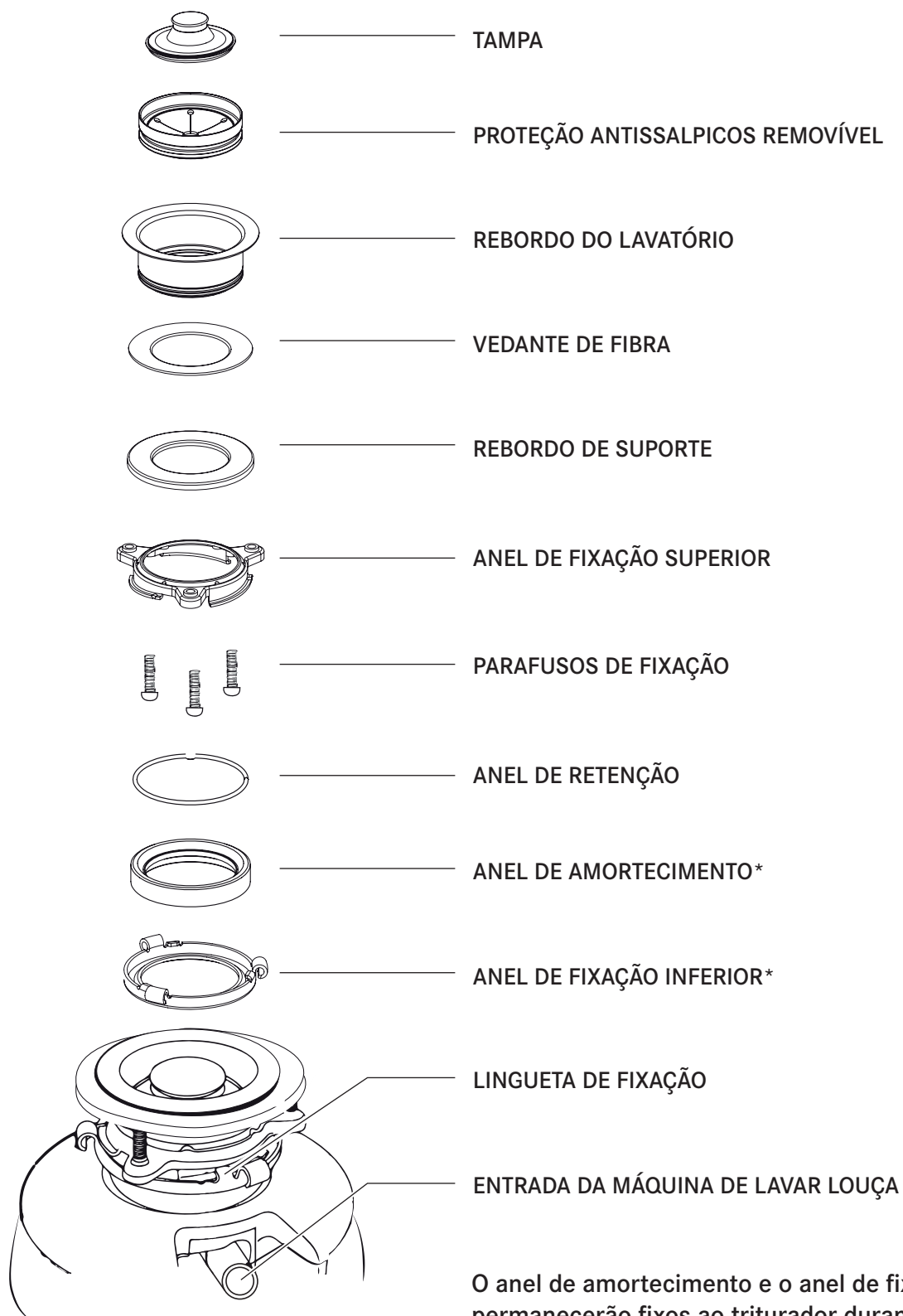
**AVISO:** ao utilizar aparelhos elétricos, devem ser sempre tomadas precauções básicas, incluindo as seguintes:

- ▷ Leia todas as instruções antes de utilizar o aparelho.
- ▷ Para reduzir o risco de ferimentos, é necessária supervisão rigorosa quando o aparelho for utilizado perto de crianças.
- ▷ Não coloque os dedos ou as mãos dentro de um triturador.
- ▷ Gire o interruptor de energia para a posição DESLIGADO antes de tentar limpar uma obstrução ou remover um objeto do triturador.
- ▷ Ao tentar desobstruir um triturador, utilize um objeto de madeira comprido, como uma colher de pau ou o cabo de madeira de uma vassoura ou esfregona.
- ▷ Ao tentar remover objetos de um triturador, utilize tenazes ou pinças de cabos compridos. Se o triturador for acionado magneticamente, devem ser utilizadas ferramentas não magnéticas.

- ▷ Para reduzir o risco de ferimentos causados por materiais que possam ser expelidos por um triturador, não coloque o seguinte no seu interior: conchas de berbigão ou de ostras; desentupidores de canos ou produtos similares; vidro, porcelana ou plástico; ossos grandes inteiros; metais, como caricas, latas, utensílios ou papel de alumínio; gordura quente ou outros líquidos quentes; maçarocas de milho inteiras.
- ▷ Quando não estiver a operar um triturador, coloque a tampa para reduzir o risco de queda de objetos para o interior do triturador.
- ▷ NÃO opere o triturador a menos que a proteção antissalpícos se encontre colocada.
- ▷ Para obter instruções adequadas de ligação à terra, consulte a secção LIGAÇÕES ELÉTRICAS deste manual.
- ▷ **Este triturador para resíduos alimentares foi projetado para operar exclusivamente a 220-240V~, 50/60 Hz. A utilização de qualquer outra tensão elétrica ou frequência afeta negativamente o desempenho.**

O recetáculo ao qual este aparelho está conectado deve ser controlado por um interruptor.

## PEÇAS DE MONTAGEM





## REMOÇÃO DA UNIDADE ANTIGA

INSTRUÇÕES TIPO, O SEU MODELO PODE SER DIFERENTE.

- ▷ Antes de iniciar esta etapa, desligue a alimentação de energia elétrica através do disjuntor ou caixa de fusíveis.
- ▷ **Desconecte o triturador.**

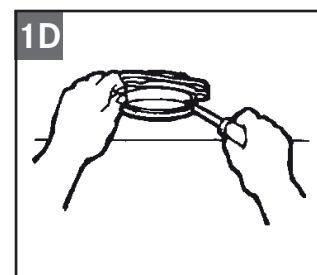
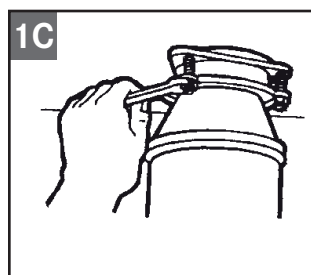
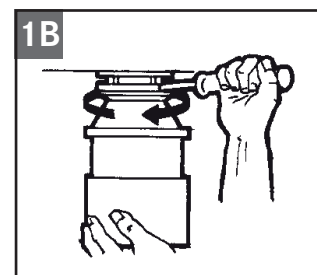
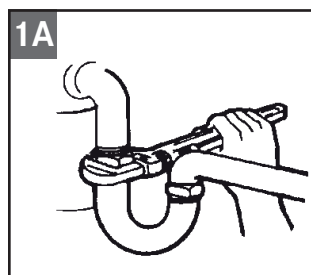
Se o seu suporte antigo for do mesmo tipo que o suporte do novo triturador, apenas siga as instruções de montagem presentes em "Instalação do conjunto de fixação" pela ordem inversa. Se o seu novo sistema de suporte for diferente, siga as seguintes instruções:

- ▶ Mantenha um recipiente disponível onde colocar qualquer excesso de resíduos/água do triturador atual.
- ▶ Utilize uma chave de tubos para desconectar o circuito de drenagem no local onde se liga ao tubo curvo de descarga do triturador (fig. 1A).
- ▶ Remova o triturador do rebordo do lavatório, girando o anel de fixação para a esquerda, no sentido horário (fig. 1B). Se não for possível girar o anel de fixação, bata numa das extensões do anel com um martelo. Alguns sistemas de fixação têm extensões tubulares. A inserção de uma chave de parafusos num tubo funcionará como alavancagem adicional para girar o anel de fixação (fig. 1B). Alguns trituradores podem exigir a remoção ou desaperto de porcas dos parafusos de fixação (fig. 1C). Alguns trituradores podem exigir a remoção de um anel de aperto.

**CUIDADO:** certifique-se de que segura o triturador enquanto realiza esta etapa, caso contrário poderá cair quando o anel de fixação for retirado do conjunto de fixação.

- ▶ Para remover o sistema de fixação restante do lavatório, desaperte os parafusos e empurre o anel de fixação para cima. Por baixo encontra-se o anel de retenção. Utilize uma chave de parafusos para retirar o anel (fig. 1D). Remova o anel de fixação, o anel de proteção e o vedante do rebordo do lavatório. Alguns suportes exigirão o desaperto de um anel grande que mantém o rebordo do lavatório na posição correta. Puxe o rebordo para cima, para fora do lavatório, e limpe os resíduos de massa antiga que encontrar.
- ▶ Certifique-se de que o lavatório se encontra limpo e totalmente seco.

**IMPORTANTE:** esta é uma boa altura para limpar o tubo de evacuação e o circuito de drenagem utilizando um gancho ou cabo para desentupimento antes de instalar o seu novo triturador.

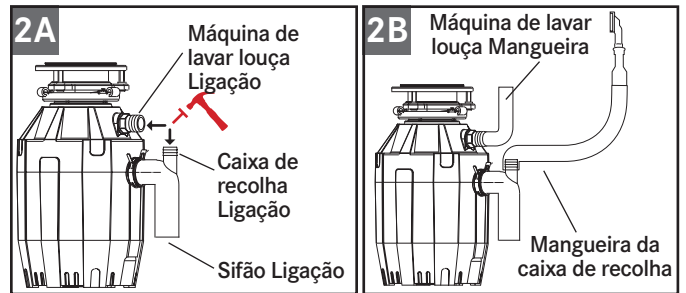


## LIGAÇÃO DA CANALIZAÇÃO

Caso não pretenda conectar uma máquina de lavar louça e/ou caixa de recolha, avance para a secção seguinte.

Se estiver a utilizar uma máquina de lavar louça, esta deverá preferencialmente ser conectada diretamente à ligação relevante no sifão. Caso não exista uma ligação disponível no sifão, efetue o seguinte procedimento:

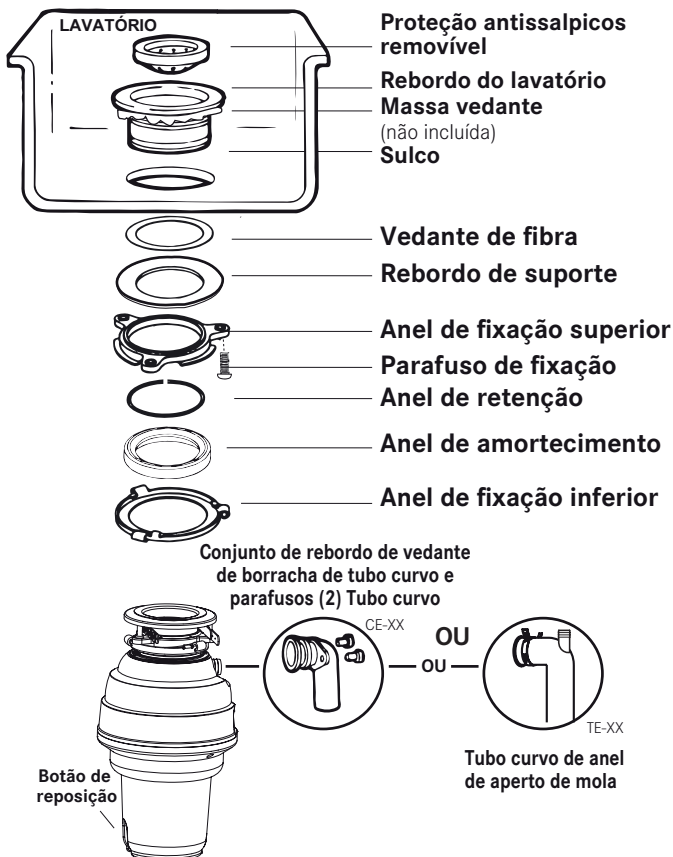
- ▶ Utilizando um instrumento pontiagudo (perfurador de aço ou pino de madeira), retire completamente a tampa (fig. 2A). Não utilize uma chave de parafusos ou um instrumento afiado. (Quando a tampa cair no triturador, poderá removê-la ou triturá-la quando o triturador for utilizado. A tampa não danificará o triturador, mas este poderá demorar algum tempo a triturá-la).



- ▶ Conecte a mangueira da caixa de recolha (fig. 2B) utilizando o anel de aperto. Se o tamanho da mangueira for diferente, será necessário um adaptador de borracha escalonado.
- ▶ Conecte a mangueira da máquina de lavar louça (fig. 2B) utilizando o anel de aperto. Certifique-se de que todas as conexões da canalização se encontram bem apertadas e de acordo com todos os códigos e regulamentações relacionados com canalização. Abra a torneira e verifique se existem fugas.

## INSTALAÇÃO DO CONJUNTO DE FIXAÇÃO

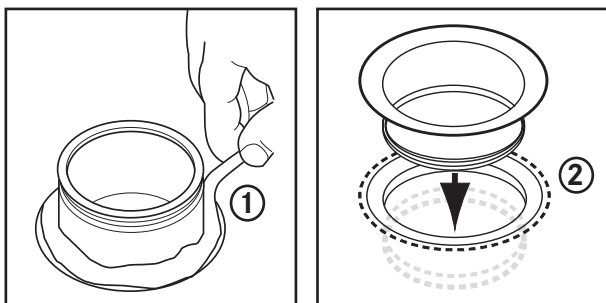
3



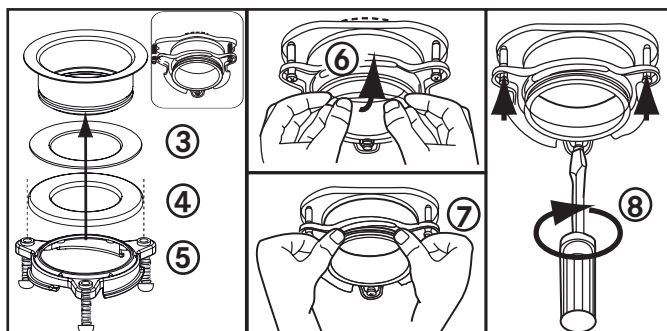
**OBSERVAÇÃO:** os componentes de fixação vêm dispostos na embalagem na mesma ordem pela qual serão montados no lavatório, pelo que deverá prestar atenção à ordem dos componentes do sistema de fixação antes de os retirar da embalagem.

- ▶ **O anel de amortecimento e o anel de fixação inferior permanecerão fixos ao triturador durante a instalação.** Remova os outros componentes do conjunto de fixação girando o anel de fixação inferior no sentido horário até as suas linguetas deslizarem do declive do anel de fixação superior. Isto permitirá separar o conjunto superior do restante conjunto inferior de fixação.
- ▶ Desaperte os 3 parafusos de fixação até que o anel de fixação superior possa ser movido para cima do rebordo de suporte. Remova o anel de retenção com uma chave de parafusos.
- ▶ Mantenha juntas as restantes peças, pela ordem em que foram removidas. Antes de conectar o triturador ao conjunto de fixação debaixo do lavatório, certifique-se de que o anel de fixação inferior se encontra colocado e que o anel de amortecimento preto ainda se encontra corretamente posicionado em cima da abertura do triturador. (Não remova o anel de amortecimento.)

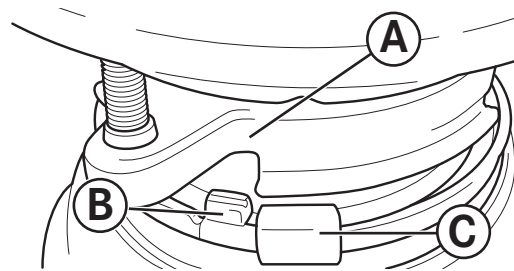
- ▶ Certifique-se de que o lavatório se encontra limpo. Instale uma noz de massa vedante no rebordo do lavatório (1). A partir do topo do lavatório, empurre o rebordo para baixo contra a abertura do lavatório para a vedar corretamente (2). Não mova ou gire o rebordo do lavatório quando este tiver sido colocado, sob pena de a vedação ser comprometida.



- ▶ Coloque um objeto pesado, como o triturador (utilize uma toalha para evitar riscar o lavatório) em cima do rebordo do lavatório para pressioná-lo para baixo.
- ▶ Pegue nas restantes peças do conjunto de fixação. A partir da parte inferior do lavatório, introduza o vedante de fibra (3), seguido do rebordo de suporte (4), e depois o anel de fixação superior (5).
- ▶ Fixe as três peças no sítio enquanto colocar o anel de retenção (6), afastando os seus limites e empurrando-o para cima do rebordo do lavatório (7) até este encaixar no sulco do rebordo do lavatório (7).

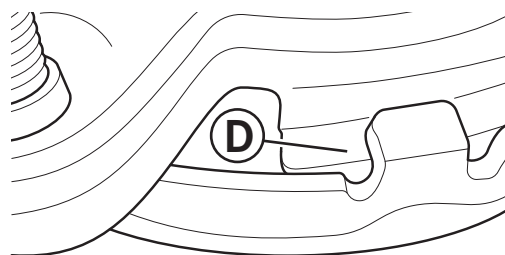


- ▶ Aperte os três parafusos de fixação de forma homogénea e firmemente contra o rebordo de suporte (8). Não os aperte em demasia.
- ▶ Remova o excesso de massa vedante.
- ▶ Fixe o triturador ao anel de fixação superior alinhando as três linguetas de fixação do anel de fixação inferior com os declives de deslize superior do anel de fixação superior e girando no sentido anti-horário.

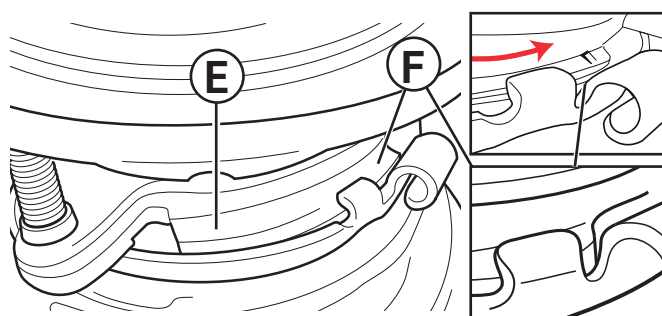


- ▶ O anel de fixação inferior (que pertence ao triturador) tem 3 linguetas que se fixam ao declive do anel de fixação. (A) aponta para o anel de fixação superior. (B) é a lingueta que desliza para cima, sobre o "declive". (C) é a "orelha" utilizada para ajudar a girar o anel de fixação inferior.

- ▶ Utilize uma chave de parafusos para efeitos de alavancagem, caso seja necessário.



- ▶ Levante e gire o anel de fixação inferior no sentido anti-horário até as três linguetas de fixação se fixarem sobre as cristas (F) no declive de deslizamento superior (D) do anel de fixação superior.



- ▶ À medida que o anel de fixação inferior é girado no sentido anti-horário, cada lingueta desliza para cima, sobre o declive do anel de fixação superior (E), e fica fixo sobre as cristas (F).
- ▶ Utilize uma chave de parafusos ou martelo para efeitos de alavancagem, caso seja necessário.
- ▶ Caso seja necessário remover um triturador, bater com um martelo na orelha no sentido horário irá facilitar o desaperto do anel de fixação inferior.

## Ligação elétrica

- ▶ Ligue o triturador apenas a uma corrente doméstica adequada.

O recetáculo ao qual este aparelho for conectado deve ser controlado por um interruptor.

**AVISO:** a ligação incorreta do condutor do dispositivo de ligação à terra pode resultar em risco de choque elétrico. Em caso de dúvida, verifique com a ajuda de um electricista ou técnico qualificado se o aparelho se encontra corretamente ligado à terra. Não modifique a ficha fornecida com o aparelho caso esta não encaixe na tomada. Instale uma tomada adequada com a ajuda de um electricista qualificado.

### Instruções de ligação à terra

PARA TRITURADORES EQUIPADOS COM UM CABO DE ALIMENTAÇÃO DE TOMADA LIGADO À TERRA

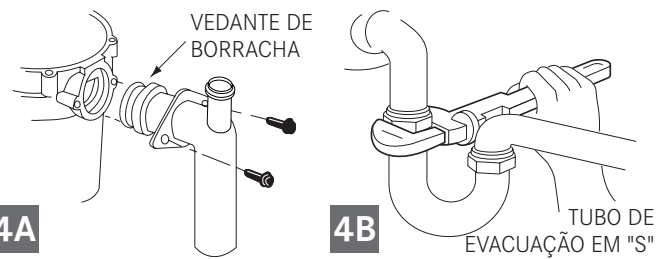
- ▶ Este aparelho tem de estar ligado à terra. Em caso de falha ou avaria, a ligação à terra oferece um caminho de menor resistência para a corrente elétrica, reduzindo o risco de choque elétrico. Este aparelho encontra-se equipado com um cabo que inclui um condutor do dispositivo de ligação à terra e uma ficha de ligação à terra.
- ▶ A ficha deve ser ligada a uma tomada adequada corretamente instalada e ligada à terra, de acordo com todos os códigos e regulamentações locais.
- ▶ Se o cabo de alimentação for danificado, deve ser substituído pelo fabricante, pelo seu agente de manutenção ou por uma pessoa similarmente qualificada para evitar situações de perigo.

**Remover um cabo de alimentação ou ficha anulará a garantia.**

### Ligação do tubo curvo de descarga

MODELOS CE-50, CE-75, TE-75S

- ▶ Conecte o tubo curvo de resíduos ao triturador deslizando o rebordo contra o vedante de borracha no tubo curvo, e apertando os parafusos em direção ao triturador (fig. 4A). Depois, conecte a parte inferior do tubo curvo apertando a porca de deslizamento (fig. 4B). Se estiver a utilizar um tubo reto, este deve ter uma extremidade semelhante à do tubo curvo. Remova o vedante do tubo curvo e instale-o no tubo reto com a extremidade plana do vedante virada para a abertura de descarga do triturador.



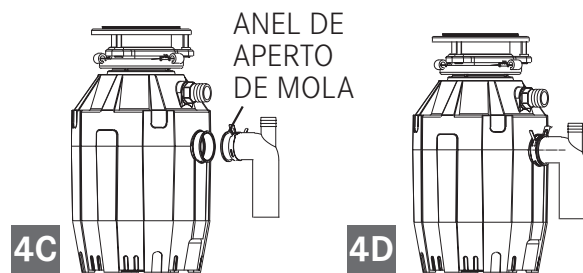
4A

4B

Caso esteja a conectar uma máquina de lavar louça, regresse à secção "Ligação da canalização" (2A-B). Caso contrário, certifique-se de que todas as conexões da canalização se encontram bem apertadas e de acordo com todos os códigos e regulamentações relacionadas com canalização. Abra a torneira e verifique se existem fugas.

MODELOS TE-50, TE-75, TE-125, TE-125BF

- ▶ Pressione as asas do anel de aperto de mola para removê-lo da manga de borracha. Empurre o anel de aperto de mola ao longo do lado liso do tubo curvo e deslize-o em direção ao lado labiado do tubo curvo (fig. 4C).
- ▶ Introduza o tubo curvo de descarga na manga de borracha de forma a que o lábio do tubo curvo encaixe no sulco localizado dentro da manga de borracha. Coloque o anel de aperto de mola sobre a manga de borracha e aperte (fig. 4D). Se estiver a utilizar um tubo reto, utilize um com um lábio semelhante ao do tubo curvo incluído com o triturador.



4C

4D

- ▶ Caso esteja a conectar uma máquina de lavar louça, regresse à secção "Ligação da canalização" (2A-B). Caso contrário, certifique-se de que todas as conexões da canalização se encontram bem apertadas e de acordo com todos os códigos e regulamentações relacionadas com canalização. Abra a torneira e verifique se existem fugas.

## Operação do interruptor de ar

### Conjunto de interruptor de ar do triturador

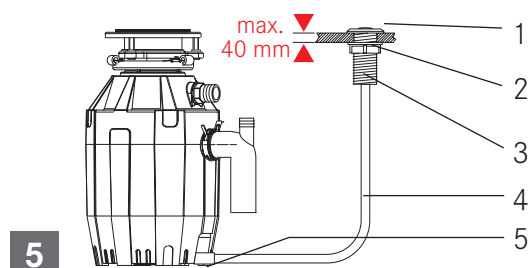
O acionador composto por:

1. Botão de acionamento
2. Porca de acionamento
3. Saída de acionamento (Porção em rosca)

Cobertura do sensor do interruptor de ar instalada no triturador. Apenas o bocal do tubo de ar é visível a partir do lado externo do triturador.

O CONJUNTO DE TUBOS DE AR COMPOSTO POR:

4. Tubo de ar - Transparente ou preto
5. Porca do tubo de ar



### Instruções de instalação e operação

- ▶ Caso não exista já um buraco - efetue uma perfuração com 35 mm a 40 mm no lavatório ou na bancada, no local onde o botão de acionamento (1) será colocado.
- ▶ Introduza, a partir do topo, a saída de acionamento através do buraco perfurado.
- ▶ Enrosque a porca de acionamento (2) sobre a saída de acionamento (3) e aperte manualmente com firmeza.
- ▶ Conecte com firmeza o tubo de ar: um dos lados apontando para a saída de acionamento (3) e o outro para a entrada do sensor.
- ▶ Conecte o cabo de alimentação do triturador ao serviço elétrico principal.
- ▶ Para ligar o triturador, pressione o botão de acionamento (1).  
Para desligar o triturador, pressione o botão de acionamento novamente.

### Sugestões

- ▶ Certifique-se de que o triturador se encontra vazio antes de utilizar a máquina de lavar louça, para que esta possa drenar corretamente.
- ▶ Poderá querer colocar a tampa no ralo do lavatório quando esta não estiver a ser utilizada, para prevenir que utensílios e objetos estranhos caiam para o interior do triturador.
- ▶ O seu triturador foi construído com materiais resistentes para oferecer-lhe muitos anos de serviço sem problemas. É capaz de triturar todos os tipos normais de resíduos alimentares, mas NÃO irá triturar itens como plástico, latas, caricas, vidro, porcelana, couro, tecido, borracha, elástico, conchas de berbigão ou de ostras, papel de alumínio ou penas.

## INSTRUÇÕES DE OPERAÇÃO

O seu triturador é de alimentação contínua, caso não tenha adquirido especificamente um triturador de alimentação por lotes.

### Alimentação contínua

Os impulsores rotativos anti-obstrução emitem um clique quando são inicialmente colocados na posição correta. Tal indica a sua operação normal.

- ▶ Remova a tampa do ralo. Ative um fluxo médio de água fria.

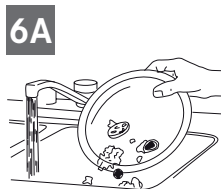
- ▶ Gire o interruptor para a posição "LIGADO"; o seu motor estará operando à velocidade máxima e pronto a ser utilizado.
- ▶ Empurre os resíduos alimentares para o interior. Para o ralo podem ir restos da mesa, cascas de vegetais, cascas, sementes, caroços, ossos pequenos e borra de café. Para acelerar a eliminação de resíduos, corte ou parta ossos grandes, cascas e espigas. Os ossos grandes e cascas fibrosas exigem tempo de trituração considerável e são mais facilmente eliminados juntamente com o lixo doméstico.

Não fique alarmado se o triturador desacelerar enquanto estiver a triturar. O triturador está, na realidade, aumentando a força de torção (poder de trituração) e está a operar em condições normais.

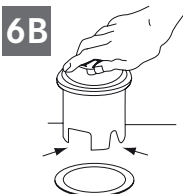
- ▶ Antes de desligar o triturador, permita que a água e o triturador continuem ativos durante aproximadamente 15 segundos após o final da trituração. Tal garante que todos os resíduos são devidamente eliminados através do tubo de evacuação e do tubo de drenagem.
- ▶ Não é recomendado utilizar água quente enquanto utiliza o triturador. A água fria irá manter os resíduos e a gordura no estado sólido, para que o triturador possa eliminar as partículas.

### Alimentação por lotes

- ▶ Remova a tampa do ralo. Ative um fluxo médio de água fria.
- ▶ Empurre os resíduos alimentares para o interior. Para o ralo podem ir restos da mesa, cascas de vegetais, espigas, cascas, caroços, ossos e borra de café (fig. 6A).

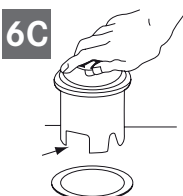


- ▶ Introduza a tampa e inicialize o triturador (fig. 6B). Uma das duas ranhuras pequenas da base da tampa deve estar alinhada com a haste do colo do triturador. Empurre para baixo com firmeza para ligar o triturador. Levante a tampa para desligar o triturador.



- ▶ Mantenha o triturador ligado durante 15 segundos após o final da trituração. Tal garante que todos os resíduos são devidamente eliminados através do tubo de drenagem.

- ▶ Para encher do lavatório, introduza a tampa e alinhe a maior ranhura com a haste (fig. 6C). Empurre para baixo para vedar do lavatório sem iniciar o triturador. Quando a ranhura intermédia (fig. 6B) da base da tampa se encontra alinhada com a haste, a água pode ser drenada, mas os talheres, etc., não podem cair acidentalmente para dentro do triturador.



### ⚠ CUIDADO

- ▷ É recomendada a utilização de água fria.
- ▷ Não utilize o triturador para resíduos alimentares com materiais duros como vidro ou metal.
- ▷ Desligue a máquina ou desconecte-a da tomada enquanto estiver a tentar desobstruir uma placa giratória obstruída com a ajuda de uma colher de pau.

### NÃO COLOQUE NO INTERIOR DO TRITURADOR:

- Soda cáustica e desentupidores de canos químicos (ácido muriático e clorídrico), pois causam corrosão grave das peças metálicas. Caso sejam utilizados esses produtos, os danos resultantes podem ser facilmente detetados e todas as garantias serão anuladas.
- Gordura e óleo em excesso
- Materiais de plástico
- Abóboras
- Casca de banana
- Folhas de ananás
- Espargos
- Alcachofras
- Conchas (p. ex., ostra, mexilhão, etc.)
- Medicamentos
- Metais (caricas)
- Pedacos de plástico
- Ossos de vaca e/ou ossos grandes

### PODE COLOCAR NO INTERIOR DO TRITURADOR:

- Espigas de milho
- Ossos pequenos (p. ex., ossos de galinha e de coelho)
- Cascas de noz
- Restos de carne
- Casca de melão e melancia
- Sementes de fruta
- Grainha das uvas
- Arroz
- Borra de café
- Casca de ovo
- Espinhas
- Cabeças de peixe
- Massa
- Vegetais ou casca de vegetais
- Queijo
- Pão
- Sopa

## RESOLUÇÃO DE PROBLEMAS

Antes de procurar serviços de reparação ou substituição, é recomendado avaliar o seguinte:

**SONS RUIDOSOS** (que não sejam aqueles que resultam da trituração de ossos pequenos e sementes de fruta): estes são normalmente causados pela entrada accidental de uma colher, carga ou outro objeto estranho.

- ▶ Para corrigir esta situação, desligue o interruptor elétrico e a água. Após o triturador ter parado.

**A UNIDADE NÃO É INICIADA:**

- ▶ Desconecte o cabo de alimentação ou gire o interruptor de parede ou o interruptor da caixa do disjuntor para a posição "DESLIGADO", dependendo do seu modelo e da configuração de fios.
- ▶ Remova a tampa e/ou a proteção antissalpícos. Verifique se a placa giratória gira livremente utilizando o cabo de madeira de uma vassoura. Caso a placa giratória gire livremente, substitua a proteção antissalpícos e verifique o botão de reposição para ver se está a fazer mau contacto. O botão de reposição é vermelho e encontra-se localizado em frente ao tubo curvo de descarga, perto do fundo (fig. 3). Pressione o botão até ouvir um clique e este permanecer pressionado.
- ▶ Se o botão de reposição não estiver a fazer mau contacto, verifique se existem fios em curto-circuito ou cortados ligados ao triturador. Verifique o interruptor de energia elétrica, a caixa de fusíveis ou o disjuntor. Se os componentes e fios elétricos estiverem intactos, a unidade pode ter problemas internos que exigem reparação ou substituição.

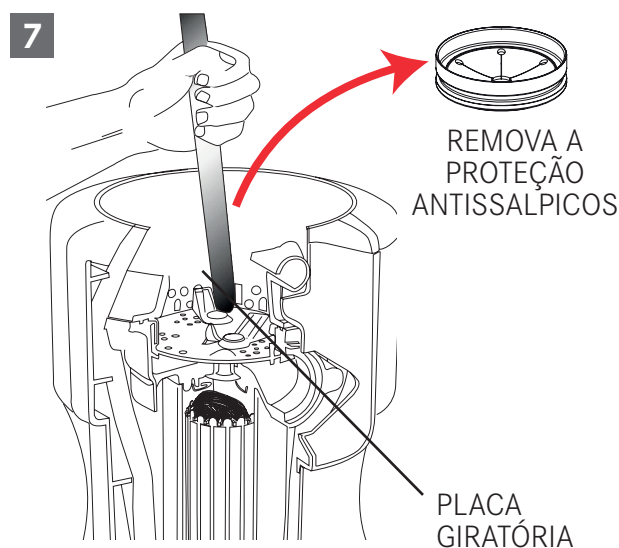
**SE A PLACA GIRATÓRIA NÃO GIRAR LIVREMENTE:**

- ▶ Desligue o triturador, depois verifique se existe qualquer objeto estranho alojado entre a placa giratória e o anel de trituração. Desaloje o objeto girando a placa com o cabo de madeira de uma vassoura e remova o objeto (fig. 7). Se não estiver presente nenhum objeto estranho, poderão existir problemas internos.

**FUGAS:** Se a unidade apresentar fugas no topo, tal poderá ser devido a:

- Fixação inadequada do rebordo do lavatório (centralização do vedante, massa ou aperto).
- O anel de suporte não foi apertado corretamente.
- Fixação de amortecimento defeituosa ou instalada incorretamente.

Se a unidade apresentar fugas no tubo curvo de descarga, tal poderá ser devido ao aperto incorreto dos parafusos do rebordo do tubo curvo.



## LIMPEZA E MANUTENÇÃO

---

### NÃO TENHA LUBRIFICAR O SEU TRITURADOR!

O motor encontra-se permanentemente lubrificado. O triturador tem capacidade de autolimpeza, e percorre as suas peças internas após cada utilização. Nunca coloque soda cáustica ou desentupidores de canos químicos, tais como ácido muriático e clorídrico, ou produtos para desobstruir o ralo do lavatório, no triturador, pois podem causar corrosão grave das peças metálicas.

Caso sejam utilizados esses produtos, os danos resultantes podem ser facilmente detetados e todas as garantias serão anuladas. É possível ocorrer a formação de depósitos minerais provenientes da água na plataforma giratória de aço inoxidável, conferindo-lhe o aspeto de ferrugem. Não fique preocupado, pois as plataformas giratórias de aço inoxidável não sofrerão efeitos de corrosão.

## ELIMINAÇÃO

---



O símbolo sobre o produto ou na embalagem indica que o aparelho não deve ser eliminado no lixo doméstico.

Ao eliminar o aparelho de forma adequada está a ajudar a evitar consequências nocivas para o ambiente e para a saúde.

Mais informações sobre como reciclar o aparelho estão disponíveis junto da autoridade competente, do serviço de eliminação de resíduos local ou do fornecedor do aparelho.

- ▷ Elimine o aparelho recorrendo a um ponto de recolha de resíduos especializado em dispositivos eletrônicos e elétricos.

De acordo com o artigo do Decreto Lei N.º 15 datado de 25 de julho, "Implementação da Diretiva 2002/96/CE, relativamente à redução de substâncias perigosas utilizadas em aparelhos elétricos e eletrônicos e eliminação de resíduos". O símbolo do caixote do lixo cortado no aparelho indica que no fim da sua vida útil o produto não deve ser eliminado como lixo doméstico.

Consequentemente, quando o aparelho chegar ao fim da sua vida útil, o utilizador deve levá-lo a um centro de reciclagem adequado para eliminação de resíduos eletrônicos e eletrotécnicos ou devolvê-lo ao revendedor quando comprar um novo aparelho de tipo equivalente.

Uma recolha de resíduos separada adequada do aparelho eliminado para posterior reciclagem, tratamento e eliminação amigável do ambiente ajuda a evitar um impacto potencialmente negativo no ambiente e na saúde e facilita a reciclagem dos materiais utilizados na construção de aparelhos.

O triturador para resíduos alimentares destina-se apenas a uso doméstico.



## ΠΙΝΑΚΑΣ ΠΕΡΙΕΧΟΜΕΝΩΝ

---

Πληροφορίες για το παρόν εγχειρίδιο	74
Προοριζόμενη χρήση	74
Πληροφορίες ασφάλειας	75
Εξαρτήματα	76
Αφαίρεση παλιάς μονάδας	77
Υδραυλική σύνδεση	78
Εγκατάσταση συστήματος τοποθέτησης	78
Ηλεκτρική σύνδεση	80
Σύνδεση καμπύλης απορροής	80
Λειτουργία διακόπτη αέρα	81
Οδηγίες λειτουργίας	82
Συνεχής τροφοδότηση	82
Τμηματική τροφοδότηση	82
Αντιμετώπιση προβλημάτων	83
Συντήρηση και επισκευή	84
Απόρριψη	85

## ΠΛΗΡΟΦΟΡΙΕΣ ΓΙΑ ΤΟ ΠΑΡΟΝ ΕΓΧΕΙΡΙΔΙΟ

Το παρόν εγχειρίδιο χρήστη ισχύει για διαφορετικά μοντέλα της συσκευής. Επομένως, κάποια από τα χαρακτηριστικά και τις λειτουργίες που περιγράφονται πιθανώς να μην είναι διαθέσιμα στο συγκεκριμένο μοντέλο σας.

FRANKE διατηρεί το δικαίωμα να πραγματοποιεί τροποποιήσεις στο προϊόν χωρίς προηγούμενη ειδοποίηση. Όλες οι πληροφορίες είναι σωστές τη στιγμή της έκδοσης.

- ▶ Φυλάξτε το εγχειρίδιο χρήστη.
- ▶ Χρησιμοποιήστε τη συσκευή που περιγράφεται στο παρόν εγχειρίδιο χρήστη μόνο σύμφωνα με την προοριζόμενη χρήση.

### Σύμβολο Σημασία



Σύμβολο προειδοποίησης.  
Προειδοποίηση για κινδύνους τραυματισμού.

- ▷ Ασφαλείς ενέργειες και σημειώσεις προειδοποίησης για αποφυγή τραυματισμού ή ζημιάς.
- ▶ Σχέδιο δράσης. Καθορίζει ποιες ενέργειες πρέπει να γίνουν.
- Αποτέλεσμα. Αποτέλεσμα ενός ή περισσότερων βημάτων δράσης.
- ✓ Προϋπόθεση που χρειάζεται να πραγματοποιείται πριν το επόμενο βήμα.

## ΠΡΟΟΡΙΖΟΜΕΝΗ ΧΡΗΣΗ

Ο σκουπιδοφάγος είναι μια ηλεκτρική συσκευή που εγκαθίσταται κάτω από τον νεροχύτη προκειμένου να τεμαχίζει τα υπολείμματα τροφών.

Βεβαιωθείτε ότι οι κατά τόπο αρχές επιτρέπουν την εγκατάσταση του σκουπιδοφάγου.

- ▷ Χρησιμοποιήστε τον σκουπιδοφάγο μόνο για υπολείμματα τροφών.

## ΠΛΗΡΟΦΟΡΙΕΣ ΑΣΦΑΛΕΙΑΣ

ΟΔΗΓΙΕΣ ΣΧΕΤΙΚΑ ΜΕ ΤΟΝ ΚΙΝΔΥΝΟ ΠΥΡΚΑΓΙΑΣ, ΗΛΕΚΤΡΟΠΛΗΞΙΑΣ Η ΤΡΑΥΜΑΤΙΣΜΟΥ.



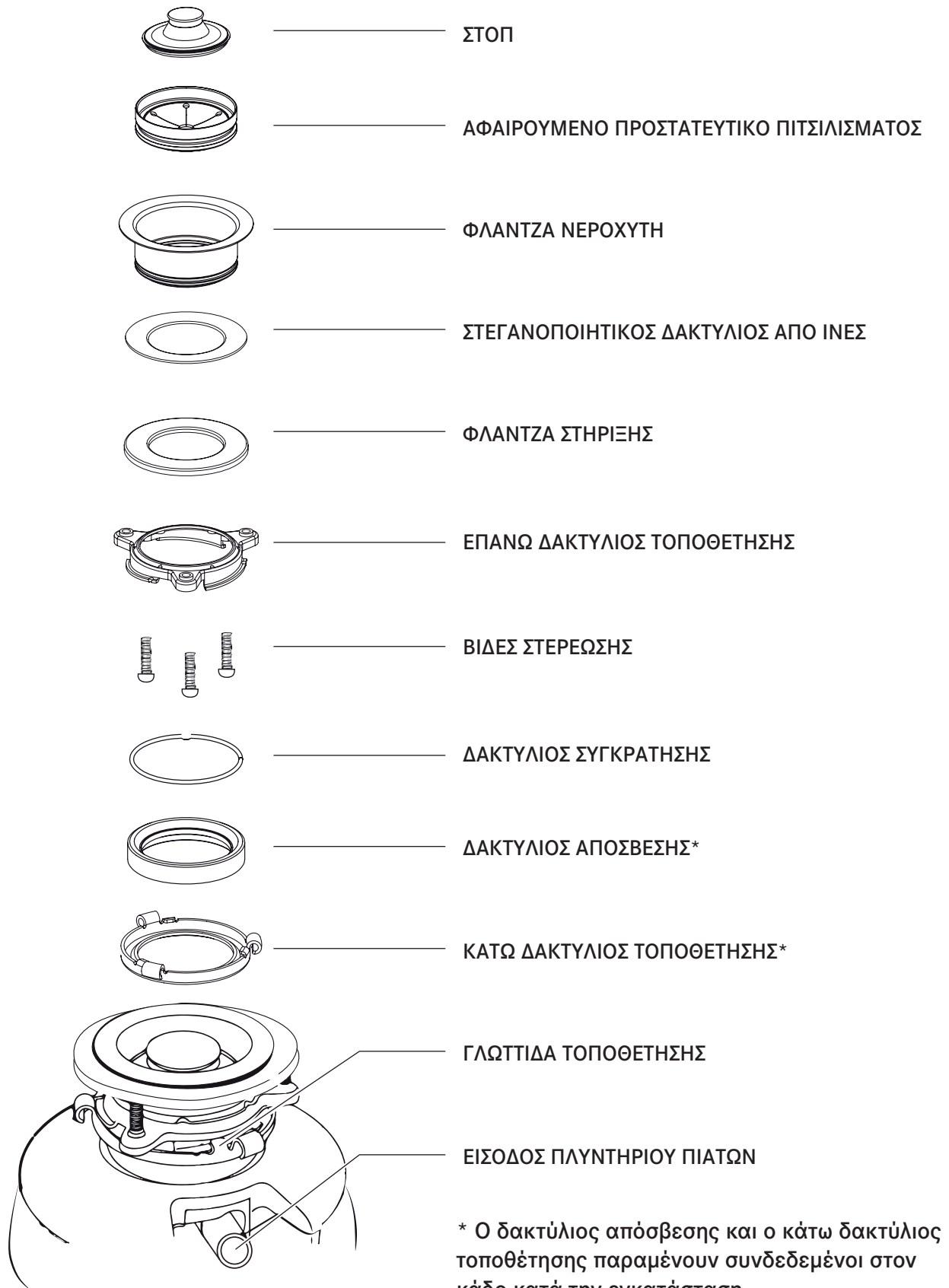
**ΠΡΟΕΙΔΟΠΟΙΗΣΗ:** Κατά τη χρήση ηλεκτρικών συσκευών θα πρέπει πάντα να λαμβάνονται οι βασικές προφυλάξεις, συμπεριλαμβανομένων των παρακάτω:

των παρακάτω:

- ▷ Διαβάστε όλες τις οδηγίες, προτού χρησιμοποιήσετε τη συσκευή.
- ▷ Για να μειωθεί ο κίνδυνος τραυματισμού απαιτείται στενή επιτήρηση, όταν η συσκευή χρησιμοποιείται κοντά σε παιδιά.
- ▷ Μην πλησιάζετε τα δάχτυλα ή τα χέρια σας στον σκουπιδοφάγο.
- ▷ Γυρίστε τον διακόπτη ισχύος στη θέση OFF, προτού επιχειρήσετε να αποφράξετε τον σκουπιδοφάγο ή να αφαιρέσετε κάποιο αντικείμενο από αυτόν.
- ▷ Όταν επιχειρείτε να αποφράξετε τον σκουπιδοφάγο, χρησιμοποιήστε ένα μακρύ ξύλινο αντικείμενο, π.χ. μια ξύλινη κουτάλα ή την ξύλινη λαβή μιας σκούπας ή σφουγγαρίστρας.
- ▷ Όταν επιχειρείτε να αφαιρέσετε αντικείμενα από τον σκουπιδοφάγο, χρησιμοποιήστε τσιμπίδες ή λαβίδες με μακριά λαβή. Αν ο κάδος ενεργοποιείται μαγνητικά, θα πρέπει να χρησιμοποιηθούν μη μαγνητικά εργαλεία.
- ▷ Για να αποτραπεί ο κίνδυνος τραυματισμού από υλικά που ενδέχεται να εξοβελιστούν από τον σκουπιδοφάγο, μη ρίχνετε στον σκουπιδοφάγο τα ακόλουθα απορρίμματα: όστρακα αχιβάδων ή στρειδιών, καυστικά καθαριστικά φρεατίων ή παρόμοια προϊόντα, γυαλιά, πορσελάνες ή πλαστικά, μεγάλα ολόκληρα κόκαλα, μεταλλικά αντικείμενα, π.χ. καπάκια φιαλών, μεταλλικά κουτάκια, αλουμινόχαρτα ή αλουμινένια κουζινικά σκεύη, καυτά λίπη ή άλλα καυτά υγρά, ολόκληρα φύλλα καλαμποκιού.
- ▷ Όταν ο σκουπιδοφάγος δεν χρησιμοποιείται, αφήστε το στοπ στη θέση του, ώστε να μην πέσουν αντικείμενα μέσα στον σκουπιδοφάγο.
- ▷ ΜΗ χρησιμοποιείτε τον σκουπιδοφάγο, αν δεν είναι τοποθετημένο το προστατευτικό πιπιλίσματος.
- ▷ Ανατρέξτε στην ενότητα ΗΛΕΚΤΡΙΚΕΣ ΣΥΝΔΕΣΕΙΣ αυτού του εγχειριδίου για οδηγίες σχετικά με τη σωστή γείωση.
- ▷ **Αυτός ο κάδος υπολειμμάτων τροφών έχει σχεδιαστεί για λειτουργία αποκλειστικά στα 220-240V~, 50/60 Hz. Αν χρησιμοποιηθεί οποιαδήποτε άλλη τάση ή τιμή Hz, η απόδοση επηρεάζεται αρνητικά.**

Η πρίζα στην οποία συνδέεται αυτή η συσκευή πρέπει να ελέγχεται με διακόπτη.

## ΕΞΑΡΤΗΜΑΤΑ



## ΑΦΑΙΡΕΣΗ ΠΑΛΙΑΣ ΜΟΝΑΔΑΣ

ΒΑΣΙΚΕΣ ΟΔΗΓΙΕΣ, ΤΟ ΜΟΝΤΕΛΟ ΣΑΣ ΕΝΔΕΧΕΤΑΙ ΝΑ ΔΙΑΦΕΡΕΙ.

- ▷ Προτού ξεκινήσετε με αυτό το βήμα, **απενεργοποιήστε την παροχή ηλεκτρικής ισχύος** στον αυτόματο διακόπτη κυκλώματος ή στο κουτί ασφαλειών.
- ▷ **Βγάλτε τον σκουπιδοφάγο από την πρίζα.**

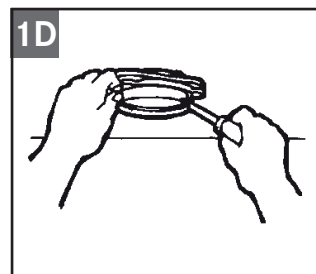
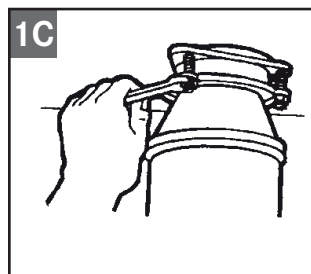
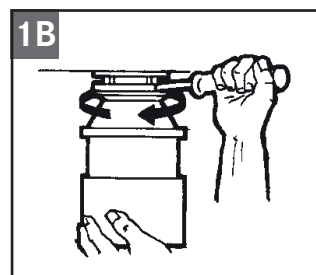
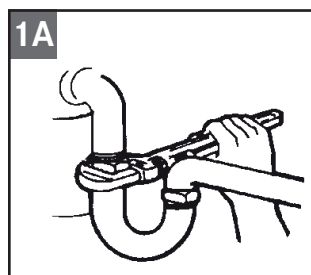
Αν το παλιό σύστημα τοποθέτησης είναι του ίδιου τύπου με αυτό στον καινούργιο σκουπιδοφάγο, απλώς ακολουθήστε με την αντίστροφη σειρά τις οδηγίες συναρμολόγησης στο κεφάλαιο ΕΓΚΑΤΑΣΤΑΣΗ ΣΥΣΤΗΜΑΤΟΣ ΤΟΠΟΘΕΤΗΣΗΣ. Αν το νέο σύστημα τοποθέτησης είναι διαφορετικό, ακολουθήστε αυτές τις οδηγίες:

- ▶ Έχετε κοντά σας ένα δοχείο για να συλλέξετε τυχόν περίσσεια νερού / απορριμμάτων από τον σκουπιδοφάγο.
- ▶ Χρησιμοποιήστε ένα κλειδί σύσφιξης σωλήνων για να αποσυνδέσετε τον σωλήνα φρεατίου στο σημείο που συνδέεται με την καμπύλη απορροής του σκουπιδοφάγου (εικ. **1A**).
- ▶ Αφαιρέστε τον σκουπιδοφάγο από τη φλάντζα νεροχύτη περιστρέφοντας τον αριστερό δακτύλιο τοποθέτησης δεξιόστροφα (εικ. **1B**). Αν δεν μπορείτε να περιστρέψετε τον δακτύλιο τοποθέτησης, κτυπήστε με ένα σφυρί τη μία από τις προεκτάσεις του δακτυλίου. Ορισμένα συστήματα τοποθέτησης διαθέτουν σωληνωτές επεκτάσεις. Μπορείτε να εισαγάγετε ένα κατσαβίδι σε έναν σωλήνα και να το χρησιμοποιήσετε ως μοχλό για να χαλαρώσετε και να περιστρέψετε τον δακτύλιο τοποθέτησης (εικ. **1B**). Σε ορισμένους σκουπιδοφάγους ενδέχεται να απαιτείται η αφαίρεση ή η χαλάρωση των παξιμαδιών στις βίδες στερέωσης (εικ. **1C**). Σε ορισμένους σκουπιδοφάγους ενδέχεται να απαιτείται η αφαίρεση κάποιου σφιγκτήρα.

**ΠΡΟΣΟΧΗ:** Βεβαιωθείτε ότι έχετε στηρίξει τον σκουπιδοφάγο κατά την εκτέλεση αυτού του βήματος, διαφορετικά μπορεί να πέσει τη στιγμή της αποσύνδεσης του δακτυλίου τοποθέτησης από το σύστημα τοποθέτησης.

- ▶ Για να αφαιρέσετε το υπόλοιπο μέρος του συστήματος τοποθέτησης από τον νιπτήρα, ξεβιδώστε τις βίδες και σπρώξτε τον δακτύλιο τοποθέτησης προς τα επάνω. Από κάτω βρίσκεται ο δακτύλιος ασφάλισης. Με ένα κατσαβίδι ανασηκώστε και αφαιρέστε τον δακτύλιο (εικ. **1D**). Αφαιρέστε τον δακτύλιο τοποθέτησης, τον προστατευτικό δακτύλιο και τον στεγανοποιητικό δακτύλιο από τη φλάντζα νεροχύτη. Σε ορισμένα συστήματα τοποθέτησης απαιτείται το ξεβίδωμα ενός μεγάλου δακτυλίου που συγκρατεί τη φλάντζα νεροχύτη στη θέση της. Τραβήξτε τη φλάντζα νεροχύτη προς τα επάνω μέσα από τον νεροχύτη και αφαιρέστε τυχόν παλιό στόκο.
- ▶ Βεβαιωθείτε ότι ο νεροχύτης είναι καθαρός και εντελώς στεγνός.

**ΣΗΜΑΝΤΙΚΟ:** Αυτή είναι η κατάλληλη στιγμή για να καθαρίσετε την παγίδα και τις σωληνώσεις αποστράγγισης χρησιμοποιώντας έναν ειδικό καθαριστικό σωλήνα ή υδραυλικό φίδι προτού εγκαταστήσετε τον νέο σας σκουπιδοφάγο.

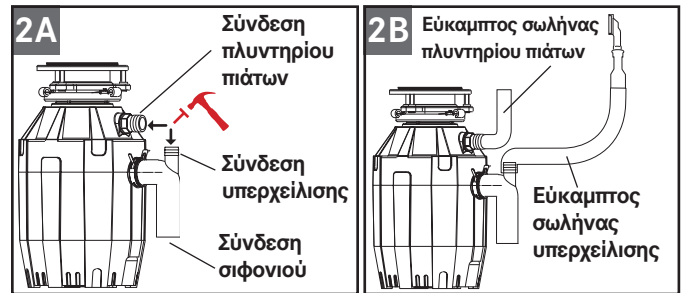


## ΥΔΡΑΥΛΙΚΗ ΣΥΝΔΕΣΗ

Αν δεν πρόκειται να συνδεθεί πλυντήριο πιάτων ή/και διάταξη υπερχείλισης, προχωρήστε στην επόμενη ενότητα.

Αν χρησιμοποιείτε πλυντήριο πιάτων, θα πρέπει κατά προτίμηση να συνδεθεί απευθείας στην αντίστοιχη σύνδεση του σιφονιού. Αν δεν υπάρχει διαθέσιμη σύνδεση πλυντηρίου πιάτων στο σιφόνι, ολοκληρώστε την παρακάτω διαδικασία:

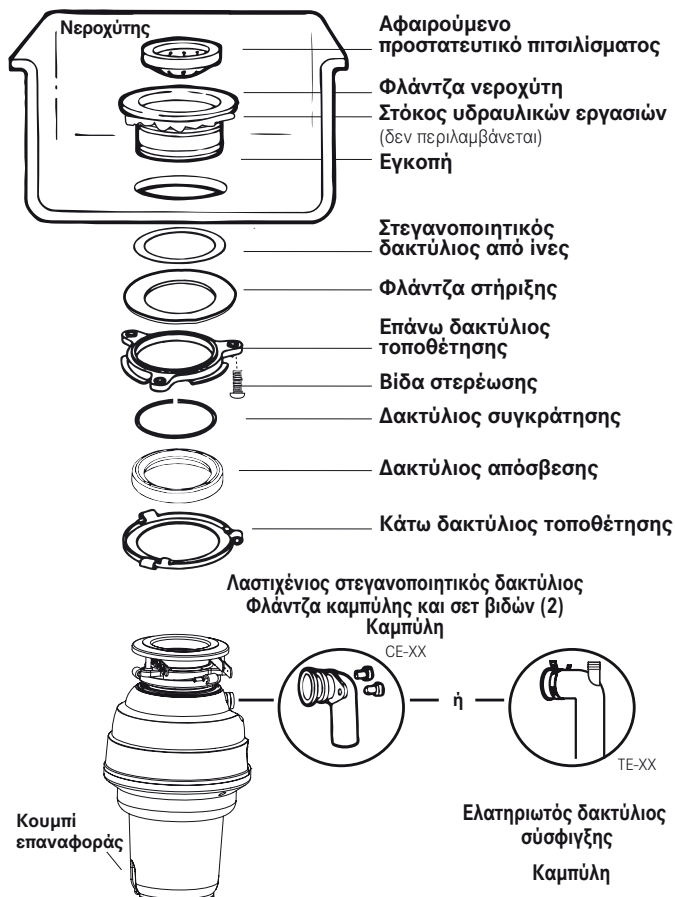
- ▶ Χρησιμοποιώντας ένα αμβλύ εργαλείο (χαλύβδινη πόντα ή ξύλινη σφήνα), κτυπήστε την τάπα για να αφαιρεθεί εξ ολοκλήρου (εικ. **2A**). Μη χρησιμοποιήσετε κατσαβίδι ή αιχμηρό εργαλείο. (Αν η τάπα πέσει μέσα στον σκουπιδοφάγο, μπορείτε να την αφαιρέσετε ή να την αφήσετε να τεμαχιστεί, όταν ο σκουπιδοφάγος τεθεί σε λειτουργία. Δεν πρόκειται να προκληθεί καμία ζημιά στον σκουπιδοφάγο, απλώς θα χρειαστεί κάποιος χρόνος για τον τεμαχισμό).



- ▶ Συνδέστε τον εύκαμπτο σωλήνα υπερχείλισης (εικ. **2B**) χρησιμοποιώντας σφιγκτήρα. Αν το μέγεθος του εύκαμπτου σωλήνα διαφέρει, θα χρειαστείτε έναν λαστιχένιο προσαρμογέα με διαβαθμίσεις.
- ▶ Συνδέστε τον εύκαμπτο σωλήνα του πλυντηρίου πιάτων (εικ. **2B**) χρησιμοποιώντας σφιγκτήρα. Βεβαιωθείτε ότι όλες οι υδραυλικές συνδέσεις είναι σφιγμένες και ότι έχουν τηρηθεί όλα τα πρότυπα και όλοι οι κανονισμοί σχετικά με τις υδραυλικές συνδέσεις. Αφήστε το νερό να τρέξει και ελέγξτε αν υπάρχουν τυχόν διαρροές.

## ΕΓΚΑΤΑΣΤΑΣΗ ΣΥΣΤΗΜΑΤΟΣ ΤΟΠΟΘΕΤΗΣΗΣ

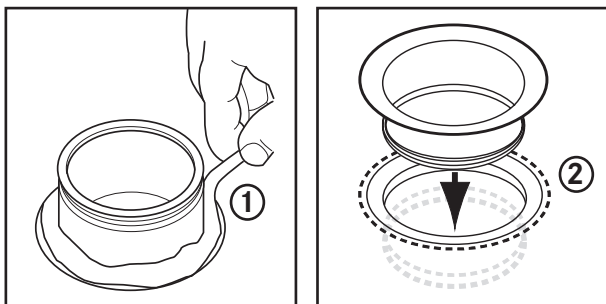
3



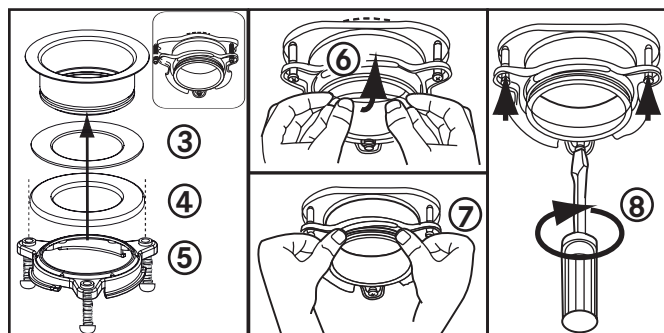
**ΣΗΜΕΙΩΣΗ:** Τα εξαρτήματα στερέωσης είναι συναρμολογημένα στη συσκευασία με τη σειρά που θα συναρμολογηθούν και στον νεροχύτη, επομένως προσέξτε τη σειρά των εξαρτημάτων του συστήματος τοποθέτησης, προτού τα αποσυναρμολογήσετε.

- ▶ **Ο δακτύλιος απόσβεσης και ο κάτω δακτύλιος τοποθέτησης παραμένουν συνδεδεμένοι στον κάδο κατά την εγκατάσταση.** Αφαιρέστε τα υπόλοιπα εξαρτήματα του συστήματος τοποθέτησης περιστρέφοντας τον κάτω δακτύλιο τοποθέτησης δεξιόστροφα έως ότου οι γλωττίδες του βγουν από τις υποδοχές του επάνω δακτυλίου τοποθέτησης. Έτσι θα μπορείτε να διαχωρίσετε το επάνω μέρος του συστήματος τοποθέτησης από το υπόλοιπο κάτω μέρος του.
- ▶ Ξεβιδώστε τις 3 βίδες στερέωσης έως ότου ο επάνω δακτύλιος τοποθέτησης να μπορεί να μετακινηθεί στην κορυφή της φλάντζας στήριξης. Αφαιρέστε τον δακτύλιο συγκράτησης με ένα κατσαβίδι.

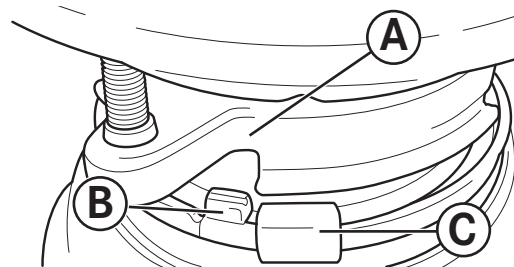
- ▶ Κρατήστε τα υπόλοιπα μέρη μαζί, με τη σειρά που τα αφαιρέσατε. Προτού συνδέσετε τον σκουπιδοφάγο στο σύστημα τοποθέτησης κάτω από τον νεροχύτη, βεβαιωθείτε ότι ο κάτω δακτύλιος τοποθέτησης βρίσκεται στη θέση του και ο μαύρος δακτύλιος απόσβεσης είναι ακόμα σωστά συναρμολογημένος στην κορυφή του ανοίγματος του σκουπιδοφάγου. (Μην αφαιρέσετε τον δακτύλιο απόσβεσης.)
- ▶ Βεβαιωθείτε ότι ο νεροχύτης είναι καθαρός. Απλώστε λίγο στόκο υδραυλικών εργασιών στη φλάντζα νεροχύτη (1). Από το επάνω μέρος του νεροχύτη, πιέστε τη φλάντζα νεροχύτη προς τα κάτω προς το άνοιγμα του νεροχύτη, ώστε να επιτύχετε σωστή στεγανοποίηση (2). **Μη μετακινήσετε ή περιστρέψετε** τη φλάντζα νεροχύτη μετά την εφαρμογή, διαφορετικά η στεγανοποίηση μπορεί να σπάσει.



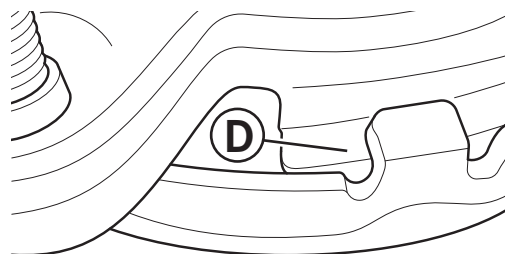
- ▶ Τοποθετήστε ένα βαρύ αντικείμενο, π.χ. και τον ίδιο τον σκουπιδοφάγο (χρησιμοποιήστε μια πετσέτα για να προστατέψετε τον νεροχύτη από χαρακιές), επάνω στη φλάντζα νεροχύτη για να παραμείνει συμπιεσμένη
- ▶ Στη συνέχεια θα χρειαστείτε τα υπόλοιπα μέρη του συστήματος τοποθέτησης, τα οποία είχατε αφήσει στην άκρη. Από το κάτω μέρος του νεροχύτη εισαγάγετε τον στεγανοποιητικό δακτύλιο από ίνες (3), έπειτα τη φλάντζα στήριξης (4) και μετά τον επάνω δακτύλιο τοποθέτησης (5).
- ▶ Κρατήστε τα τρία αυτά εξαρτήματα στη θέση τους, ενώ προσαρμόζετε τον δακτύλιο συγκράτησης (6) αποσυναρμολογώντας τον και περνώντας τον στη φλάντζα νεροχύτη (7) έως ότου ασφαλίσει στην εγκοπή της φλάντζας νεροχύτη (7).



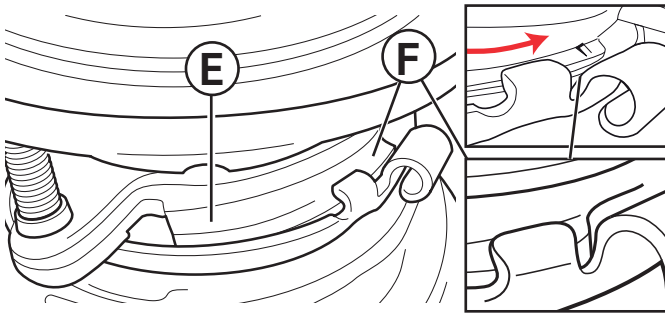
- ▶ Σφίξτε ομοιόμορφα και γερά τις τρεις βίδες στερέωσης στη φλάντζα υποστήριξης (8). Μην τις σφίξετε υπερβολικά.
- ▶ Απομακρύνετε τον τυχόν περίσσιο στόκο
- ▶ Τοποθετήστε τον σκουπιδοφάγο στον επάνω δακτύλιο τοποθέτησης ευθυγραμμίζοντας τις τρεις γλωττίδες τοποθέτησης του κάτω δακτυλίου τοποθέτησης με τις υποδοχές ανοδικής ολίσθησης του επάνω δακτυλίου τοποθέτησης και περιστρέφοντας τις αριστερόστροφα



- ▶ Ο κάτω δακτύλιος τοποθέτησης (που αποτελεί μέρος του σκουπιδοφάγου) διαθέτει 3 γλωττίδες που ασφαλίζουν στις αντίστοιχες υποδοχές. (A) Επάνω δακτύλιος τοποθέτησης. (B) Γλωττίδα που κουμπώνει στην υποδοχή. (C) Προεξοχή για την περιστροφή του κάτω δακτυλίου τοποθέτησης.
- ▶ Αν χρειαστεί, χρησιμοποιήστε ένα κατσαβίδι ως μοχλό.



- ▶ Ανασηκώστε και περιστρέψτε τον κάτω δακτύλιο τοποθέτησης αριστερόστροφα έως ότου και οι τρεις γλωττίδες τοποθέτησης ασφαλίσουν επάνω από τις προεξοχές (F) στις υποδοχές ανοδικής ολίσθησης (D) του επάνω δακτυλίου τοποθέτησης.



- ▶ Καθώς περιστρέφεται τον κάτω δακτύλιο τοποθέτησης αριστερόστροφα, κάθε γλωττίδα εισέρχεται στην υποδοχή (E) του επάνω δακτυλίου τοποθέτησης και ασφαλίζει στη θέση αυτή επάνω από τις προεξοχές (F).
- ▶ Αν χρειαστεί, χρησιμοποιήστε ένα κατσαβίδι ή σφυρί ως βοήθημα.
- ▶ Αν ο σκουπιδοφάγος πρέπει να αφαιρεθεί, κτυπήστε με ένα σφυρί την προεξοχή με κατεύθυνση προς τα δεξιά για να χαλαρώσετε εύκολα τον κάτω δακτύλιο τοποθέτησης.

## Ηλεκτρική σύνδεση

- ▷ Συνδέετε τον σκουπιδοφάγο αποκλειστικά και μόνο σε κατάλληλη σύνδεση οικιακού ρεύματος.

Η πρίζα στην οποία συνδέεται αυτή η συσκευή πρέπει να ελέγχεται με διακόπτη.

**ΠΡΟΕΙΔΟΠΟΙΗΣΗ:** : Από την εσφαλμένη σύνδεση του αγωγού γείωσης της συσκευής μπορεί να προκληθεί **κίνδυνος ηλεκτροπληξίας**. Απευθυνθείτε σε εξειδικευμένο ηλεκτρολόγο ή τεχνικό, αν έχετε αμφιβολίες σχετικά με τη **σωστή γείωση** της συσκευής. Μην τροποποιείτε το βύσμα που παρέχεται με τη συσκευή, αν δεν ταιριάζει στην πρίζα. Ζητήστε από εξειδικευμένο ηλεκτρολόγο την **εγκατάσταση κατάλληλης πρίζας**.

## Οδηγίες γείωσης

ΓΙΑ ΣΚΟΥΠΙΔΟΦΑΓΟΥΣ ΠΟΥ ΔΙΑΘΕΤΟΥΝ ΓΕΙΩΜΕΝΟ ΚΑΛΩΔΙΟ ΡΕΥΜΑΤΟΣ

- ▷ Αυτή η συσκευή πρέπει να γειωθεί. Σε περίπτωση δυσλειτουργίας ή βλάβης, η γείωση διασφαλίζει γραμμή ελάχιστης αντίστασης για το ηλεκτρικό ρεύμα, ώστε να μειωθεί ο κίνδυνος ηλεκτροπληξίας. Αυτή η συσκευή διαθέτει καλώδιο με αγωγό γείωσης και βύσμα γείωσης.
- ▷ Το βύσμα πρέπει να συνδεθεί σε κατάλληλη πρίζα σωστά εγκατεστημένη και γειωμένη σύμφωνα με όλα τα πρότυπα και όλους τους κανονισμούς που ισχύουν κατά τόπο.
- ▷ Αν το καλώδιο τροφοδοσίας υποστεί ζημιά, πρέπει να αντικατασταθεί από τον κατασκευαστή, από τον τεχνικό σέρβις του ή από άλλο παρόμοια καταρτισμένο άτομο, προς αποφυγή οποιουδήποτε κινδύνου.

**Η αφαίρεση προσαρτημένου καλωδίου ή βύσματος τροφοδοσίας συνεπάγεται ακύρωση της εγγύησης.**

## Σύνδεση καμπύλης απορροής

ΜΟΝΤΕΛΑ CE-50, CE-75, TE-75S

- ▶ Για να συνδέσετε την καμπύλη απορροής στον σκουπιδοφάγο σπρώξτε τη φλάντζα προς το λαστιχένιο στεγανοποιητικό δακτύλιο στην καμπύλη και σφίξτε τις βίδες στον σκουπιδοφάγο (εικ. **4A**). Έπειτα συνδέστε το κάτω μέρος της καμπύλης σφίγγοντας το παξιμάδι-ρακόρ (εικ. **4B**). Αν χρησιμοποιήσετε ίσιο σωλήνα, πρέπει το χέλιος του να είναι ίδιο με της καμπύλης. Αφαιρέστε τον στεγανοποιητικό δακτύλιο από την καμπύλη και τοποθετήστε τον στον ίσιο σωλήνα με το επίπεδο άκρο του στεγανοποιητικού δακτυλίου προς το άνοιγμα απορροής του σκουπιδοφάγου



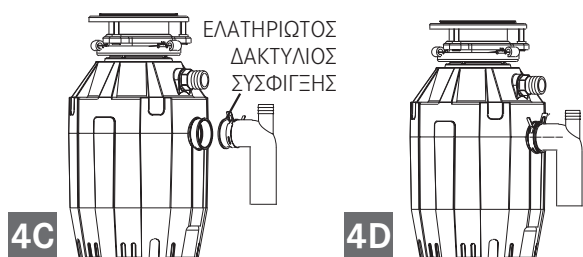
Αν η σύνδεση γίνει σε πλυντήριο πιάτων, ανατρέξτε στην ενότητα **ΥΔΡΑΥΛΙΚΗ ΣΥΝΔΕΣΗ (2A-B)**.

Διαφορετικά, βεβαιωθείτε ότι όλες οι υδραυλικές συνδέσεις είναι σφιγμένες και ότι έχουν τηρηθεί όλα τα πρότυπα και όλοι οι κανονισμοί σχετικά με τις υδραυλικές συνδέσεις. Αφήστε το νερό να τρέξει και ελέγξτε αν υπάρχουν τυχόν διαρροές.



## ΜΟΝΤΕΛΑ TE-50, TE-75, TE-125, TE-125BF

- ▶ Πιέστε τα πτερύγια του ελατηριωτού δακτυλίου σύσφιξης για να τον αφαιρέσετε από το λαστιχένιο παρέμβυσμα. Περάστε τον ελατηριωτό δακτύλιο σύσφιξης στη λεία πλευρά της καμπύλης και σπρώξτε τον προς το χείλος της. (εικ. 4C).
- ▶ Εισαγάγετε την καμπύλη στο λαστιχένιο παρέμβυσμα έτσι ώστε το χείλος της καμπύλης να εφαρμόσει στην εγκοπή που βρίσκεται μέσα στο λαστιχένιο παρέμβυσμα. Τοποθετήστε τον ελατηριωτό δακτύλιο σύσφιξης στο λαστιχένιο παρέμβυσμα και ασφαλίστε τον (εικ. 4D). Αν χρησιμοποιήσετε ίδιο σωλήνα, φροντίστε το χείλος του να είναι ίδιο με το χείλος της καμπύλης που παρέχεται με τον σκουπιδοφάγο



- ▶ Αν η σύνδεση γίνει σε πλυντήριο πιάτων, ανατρέξτε στην ενότητα ΥΔΡΑΥΛΙΚΗ ΣΥΝΔΕΣΗ (2A-B). Διαφορετικά, βεβαιωθείτε ότι όλες οι υδραυλικές συνδέσεις είναι σφιγμένες και ότι έχουν τηρηθεί όλα τα πρότυπα και όλοι οι κανονισμοί σχετικά με τις υδραυλικές συνδέσεις. Αφήστε το νερό να τρέξει και ελέγξτε αν υπάρχουν τυχόν διαρροές

## Λειτουργία διακόπτη αέρα

### Σύστημα διακόπτη αέρα σκουπιδοφάγου

ΕΝΕΡΓΟΠΟΙΗΤΗΣ που αποτελείται από:

1. Κουμπί ενεργοποιητή
2. Παξιμάδι ενεργοποιητή
3. Στόμιο εξόδου ενεργοποιητή (τμήμα με σπειρωμα)

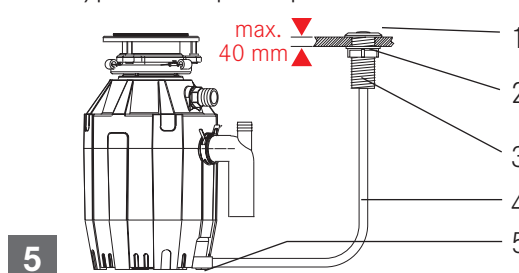
### ΠΕΡΙΒΛΗΜΑ ΑΙΣΘΗΤΗΡΑ ΔΙΑΚΟΠΤΗ ΑΕΡΑ

τοποθετημένο στον σκουπιδοφάγο. Μόνο το ακροφύσιο του σωλήνα αέρα φαίνεται από το εξωτερικό του σκουπιδοφάγου

ΣΥΣΤΗΜΑ ΣΩΛΗΝΑ ΑΕΡΑ που αποτελείται από:

4. Σωλήνα αέρα - διάφανο ή μαύρο

### 5. Παξιμάδι σωλήνα αέρα



### Οδηγίες εγκατάστασης και λειτουργίας

- ▶ Αν δεν υπάρχει ήδη, διανοίξτε με τρυπάνι μια οπή διαμέτρου 35 mm έως 40 mm στον νεροχύτη ή στον πάγκο, στο σημείο όπου θα τοποθετηθεί το κουμπί του ενεργοποιητή (1).
- ▶ Περάστε από επάνω μέσα από την ανοιγμένη οπή το στόμιο εξόδου του ενεργοποιητή.
- ▶ Βιδώστε το παξιμάδι του ενεργοποιητή (2) στο στόμιο εξόδου του ενεργοποιητή (3) και σφίξτε το γερά με το χέρι.
- ▶ Συνδέστε σταθερά τον σωλήνα αέρα ως εξής: με το ένα άκρο στο στόμιο εξόδου ενεργοποιητή (3) και το άλλο άκρο στην είσοδο του αισθητήρα.
- ▶ Συνδέστε το καλώδιο τροφοδοσίας του σκουπιδοφάγου στο δίκτυο ηλεκτροδότησης.
- ▶ Για να ενεργοποιήσετε τον σκουπιδοφάγο, πατήστε το κουμπί του ενεργοποιητή (1). Για να τον απενεργοποιήσετε, πατήστε ξανά το κουμπί του ενεργοποιητή.

### Πρακτικές συμβουλές

- ▶ Βεβαιωθείτε ότι ο σκουπιδοφάγος είναι άδειος, προτού χρησιμοποιήσετε το πλυντήριο πιάτων, ώστε να μπορεί να αποστραγγιστεί σωστά.
- ▶ Μπορεί να θέλετε να αφήσετε το στοπ στο φρεάτιο απορροής του νεροχύτη, όταν δεν τον χρησιμοποιείτε, ώστε να μην πέσουν κουζινικά σκεύη και ξένα σώματα στον σκουπιδοφάγο.
- ▶ Ο σκουπιδοφάγος είναι μια στιβαρή κατασκευή σχεδιασμένη για πολυετή χρήση χωρίς προβλήματα. Μπορεί να επεξεργαστεί όλα τα κανονικά υπολείμματα τροφών, ωστόσο ΔΕΝ τεμαχίζει και δεν απορρίπτει πλαστικά και μεταλλικά κουτάκια, πώματα φιαλών, γυαλιά, πορσελάνες, δέρμα, υφάσματα, λάστιχο, σύρμα, όστρακα αχιβάδων ή στρειδιών, αλουμινόχαρτα ή φτερά.

## ΟΔΗΓΙΕΣ ΛΕΙΤΟΥΡΓΙΑΣ

Ο σκουπιδοφάγος είναι συνεχούς τροφοδότησης, αν δεν έχετε αγοράσει συγκεκριμένα σκουπιδοφάγο τμηματικής τροφοδότησης.

### Συνεχής τροφοδότηση

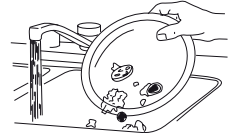
Από τα περιστρεφόμενα πρόληψης εμπλοκής πτερύγια ακούγεται ένας ήχος κλικ, καθώς αρχικά μετακινούνται στη θέση τους. Αυτό υποδεικνύει κανονική λειτουργία.

- ▶ Αφαιρέστε το στοπ από τον νεροχύτη. Ανοίξτε τη βρύση στο κρύο νερό και σε μέτρια ροή.
- ▶ Γυρίστε τον διακόπτη στη θέση ON. Το μοτέρ θα αρχίσει να περιστρέφεται με πλήρη ταχύτητα και θα είναι έτοιμο για χρήση.
- ▶ Πετάξτε τα υπολείμματα τροφών. Ο σκουπιδοφάγος μπορεί να επεξεργαστεί αποφάγια, φλούδες, φλοιούς, σπόρους, κουκούτσια, μικρά κόκαλα και αλεσμένο καφέ. Για να επιταχύνετε τον τεμαχισμό των υπολειμμάτων τροφών, κόψτε ή σπάστε τα κόκαλα, τις φλούδες και τους μεγάλους βλαστούς καλαμποκιού. Για να τεμαχιστούν τα μεγάλα κόκαλα και οι ινώδεις φλοιοί απαιτείται αρκετός χρόνος. Είναι προτιμότερο να τα πετάξετε στα κοινά απορρίμματα. Μη σας ανησυχήσει το γεγονός ότι ο σκουπιδοφάγος μπορεί να μειώνει ταχύτητα κατά τον τεμαχισμό. Βασικά, ο σκουπιδοφάγος αυξάνει τη ροπή (ισχύς τεμαχισμού) και λειτουργεί κανονικά.
- ▶ Προτού απενεργοποιήσετε τον σκουπιδοφάγο, αφήστε το νερό να τρέξει και τον σκουπιδοφάγο να λειτουργήσει για περίπου 15 δευτερόλεπτα, αφού έχει σταματήσει ο τεμαχισμός. Έτσι διασφαλίζεται ότι όλα τα υπολείμματα καταλήγουν πλήρως στην παγίδα και στο φρεάτιο.
- ▶ Αποφύγετε τη χρήση ζεστού νερού κατά τη λειτουργία του σκουπιδοφάγου. Το κρύο νερό διατηρεί τα υπολείμματα και τα λίπη σε στερεή κατάσταση και έτσι ο σκουπιδοφάγος μπορεί να τα επεξεργαστεί αποτελεσματικότερα.

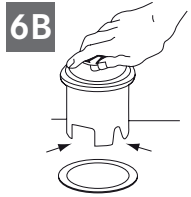
### Τμηματική τροφοδότηση

- ▶ Αφαιρέστε το στοπ από τον νεροχύτη. Ανοίξτε τη βρύση στο κρύο νερό και σε μέτρια ροή.

- ▶ Πετάξτε τα υπολείμματα τροφών. **6A**  
Ο σκουπιδοφάγος μπορεί να επεξεργαστεί αποφάγια, βλαστούς καλαμποκιού, φλούδες, σπόρους, κουκούτσια, μικρά κόκαλα και αλεσμένο καφέ (εικ. **6A**).

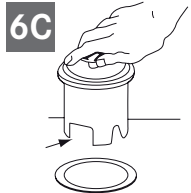


- ▶ Τοποθετήστε το στοπ για να ξεκινήσει η λειτουργία του σκουπιδοφάγου (εικ. **6B**). Η μία από τις δύο μικρές εγκοπές στη βάση του στοπ πρέπει να ευθυγραμμιστεί με το έμβολο διακόπτη στο εσωτερικό του λαιμού του σκουπιδοφάγου. Πιέστε δυνατά προς τα κάτω για να ενεργοποιήσετε τον σκουπιδοφάγο. Ανασηκώστε το στοπ για να απενεργοποιήσετε τον σκουπιδοφάγο.



- ▶ Αφήστε τον σκουπιδοφάγο να λειτουργήσει για 15 δευτερόλεπτα, αφού έχει σταματήσει ο τεμαχισμός. Έτσι διασφαλίζεται ότι όλα τα υπολείμματα καταλήγουν στο φρεάτιο.

- ▶ Για να γεμίσετε τον νιπτήρα, τοποθετήστε το στοπ και ευθυγραμμίστε τη μεγαλύτερη εγκοπή με το έμβολο του διακόπτη. (εικ. **6C**) Πιέστε προς τα κάτω για να βουλώσετε τον νεροχύτη χωρίς να ενεργοποιηθεί ο σκουπιδοφάγος. Όταν ευθυγραμμίζεται η εγκοπή μεσαίου μεγέθους (εικ. **6B**) στη βάση του στοπ με το έμβολο διακόπτη, το νερό μπορεί να αποστραγγιστεί, χωρίς να υπάρχει κίνδυνος να πέσουν στον σκουπιδοφάγο π.χ. μαχαιροπίρουνα κ.λπ.



### ΠΡΟΣΟΧΗ

- ▶ Συνιστάται η χρήση κρύου νερού.
- ▶ Μη χρησιμοποιείτε τον σκουπιδοφάγο για την επεξεργασία σκληρών υλικών π.χ. γυαλιών ή μετάλλων
- ▶ Απενεργοποιήστε τη συσκευή ή αποσυνδέστε την από την πρίζα, όταν επιχειρείτε να ξεμπλοκάρετε κάποιο περιστρεφόμενο δίσκο π.χ. με ξύλινο κουτάλι

**ΜΗΝ ΡΙΧΝΕΤΕ ΣΤΟΝ ΣΚΟΥΠΙΔΟΦΑΓΟ :**

- Αλυσίβα, ισχυρά χημικά (υδροχλωρικό οξύ) και ουσίες απόφραξης σωληνώσεων, καθώς προκαλούν σοβαρή διάβρωση των μεταλλικών μερών. Η χρήση τέτοιων ουσιών εντοπίζεται εύκολα, και τυχόν βλάβες δεν καλύπτονται από την εγγύηση
- Υπερβολικά λίπη και λάδια
- Πλαστικά υλικά
- Κολοκύθα
- Φλούδες από μπανάνες
- Φλούδες από ανανά
- Σπαράγγια
- Αγκινάρες
- Όστρακα / κέλυφος (στρείδι, μύδι, κα,)
- Φάρμακα
- Μεταλλικά καπάκια
- Μεγάλα κόκκαλα

**ΜΠΟΡΕΙΤΕ ΝΑ ΡΙΧΝΕΤΕ:**

- Κοτσάνια από καλαμπόκι
- Λεπτά κόκκαλα (κοτόπουλο, κουνέλι)
- Κελύφη καρπών
- Υπολείμματα κρεάτων
- Φλούδες πεπονιού / καρπουζιού
- Σπόρους φρούτων
- Κουκούτσια σταφυλιών
- Σπόρους ρυζιού
- Κόκκους καφέ
- Τσόφλια αυγών
- Ψαροκόκαλα
- Κεφάλια ψαριών
- Ζυμαρικά
- Λαχανικά ή φλούδες λαχανικών
- Τυρί
- Ψωμί
- Σούπα

## ΑΝΤΙΜΕΤΩΠΙΣΗ ΠΡΟΒΛΗΜΑΤΩΝ

Προτού ζητήσετε επισκευή ή αντικατάσταση, προτείνουμε να διαβάσετε την παρακάτω ενότητα:

**ΔΥΝΑΤΟΙ ΘΟΡΥΒΟΙ** (διαφορετικοί από αυτούς που ακούγονται κατά τον τεμαχισμό μικρών κόκαλων και κουκουτσιών φρούτων): Προκαλούνται συνήθως, αν πέσει κατά λάθος κάποιο κουτάλι, καπάκι φιάλης ή άλλα ξένα σώματα.

- ▶ Για να επιλύσετε αυτό το πρόβλημα, κλείστε τον ηλεκτρικό διακόπτη και το νερό. Αφαιρέστε το ξένο σώμα, αφού έχει σταματήσει η λειτουργία του σκουπιδοφάγου.

**ΔΕΝ ΓΙΝΕΤΑΙ ΕΚΚΙΝΗΣΗ ΛΕΙΤΟΥΡΓΙΑΣ ΤΗΣ ΣΥΣΚΕΥΗΣ:**

- ▶ Αποσυνδέστε το καλώδιο ρεύματος ή ρυθμίστε στο OFF τον επιτοίχιο διακόπτη ή τον αυτόματο διακόπτη κυκλώματος, ανάλογα με το μοντέλο και τη διαμόρφωση καλωδίωσης.
- ▶ Αφαιρέστε το στοπ ή/και το προστατευτικό πιπιλιίσματος. Χρησιμοποιήστε την ξύλινη λαβή μιας σκούπας και ελέγξτε αν ο περιστρεφόμενος δίσκος περιστρέφεται ελεύθερα. Αν ο περιστρεφόμενος δίσκος περιστρέφεται ελεύθερα, αντικαταστήστε το προστατευτικό πιπιλιίσματος και δείτε μήπως έχει πατηθεί το κουμπί επαναφοράς.

- ▶ Το κουμπί επαναφοράς είναι κόκκινο και βρίσκεται απέναντι από την καμπύλη απορροής, κοντά στη βάση (εικ. **3**). Πατήστε το κουμπί μέχρι να ακουστεί ένα κλικ και να παραμείνει πατημένο.
- ▶ Αν το κουμπί επαναφοράς δεν έχει πατηθεί, ελέγξτε μήπως έχει βραχυκυκλωθεί ή σπάσει κάποιο καλώδιο του σκουπιδοφάγου. Ελέγξτε τον διακόπτη ηλεκτρικής ισχύος, το κουτί ασφαλειών ή τον αυτόματο διακόπτη κυκλώματος. Αν η καλωδίωση και τα ηλεκτρικά εξαρτήματα δεν παρουσιάζουν πρόβλημα, ενδέχεται να υπάρχουν εσωτερικά προβλήματα στη μονάδα και να απαιτείται σέρβις ή αντικατάσταση.

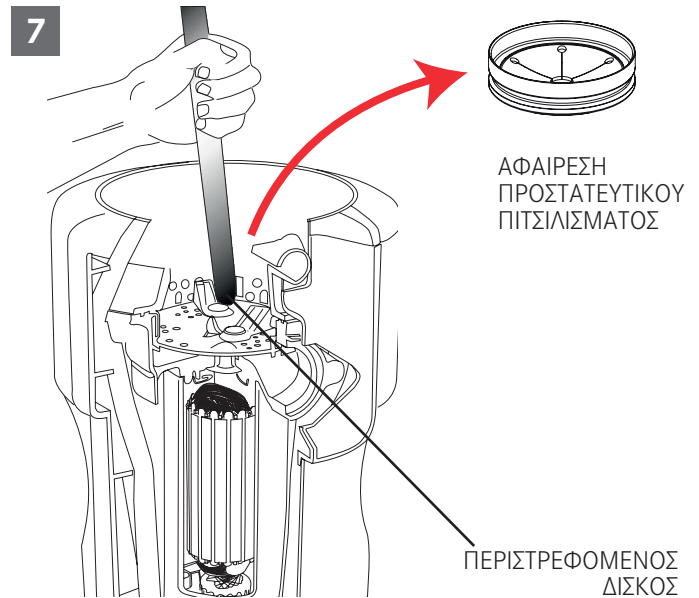
**ΑΝ Ο ΠΕΡΙΣΤΡΕΦΟΜΕΝΟΣ ΔΙΣΚΟΣ ΔΕΝ ΠΕΡΙΣΤΡΕΦΕΤΑΙ ΕΛΕΥΘΕΡΑ:**

- ▶ Απενεργοποιήστε τον σκουπιδοφάγο και ελέγξτε αν έχει παγιδευτεί κάποιο ξένο σώμα ανάμεσα στον περιστρεφόμενο δίσκο και στον δακτύλιο τεμαχισμού. Μετατοπίστε το ξένο σώμα περιστρέφοντας τον δίσκο με την ξύλινη λαβή μιας σκούπας και αφαιρέστε το (εικ. **7**). Αν δεν υπάρχει κάποιο ξένο σώμα, ενδέχεται να υπάρχουν εσωτερικά προβλήματα.

**ΔΙΑΡΡΟΕΣ:** Αν η μονάδα παρουσιάζει διαρροή στο επάνω μέρος, αυτό μπορεί να οφείλεται στα εξής:

- Εσφαλμένη έδραση της φλάντζας νεροχύτη (κεντράρισμα στεγανοποιητικού δακτυλίου, στόκος ή σφίξιμο).
- Ο δακτύλιος στήριξης δεν είναι σωστά σφιγμένος.
- Ο δακτύλιος απόσβεσης είναι ελαττωματικός ή έχει τοποθετηθεί εσφαλμένα.

Αν η διαρροή εντοπίζεται στην καμπύλη, μπορεί να οφείλεται σε εσφαλμένο σφίξιμο των βιδών στη φλάντζα της καμπύλης.



## ΣΥΝΤΗΡΗΣΗ ΚΑΙ ΕΠΙΣΚΕΥΗ

**ΜΗΝ ΕΠΙΧΕΙΡΗΣΕΤΕ ΝΑ ΛΙΠΑΝΕΤΕ ΤΟΝ ΣΚΟΥΠΙΔΟΦΑΓΟ!**

Το μοτέρ διαθέτει μόνιμη λίπανση. Ο σκουπιδοφάγος είναι αυτοκαθαριζόμενος και σε κάθε χρήση εκτελεί εκτριβή σε όλα τα εσωτερικά του μέρη. **Σε καμία περίπτωση** μη ρίχνετε στον σκουπιδοφάγο καυστική σόδα ή χημικά καθαριστικά φρεατίων, π.χ. υδροχλωρικό οξύ, για να ξεβουλώσετε το φρεάτιο απορροής του νεροχύτη, καθώς οι ουσίες αυτές προκαλούν σοβαρή διάβρωση στα μεταλλικά μέρη.

Αν τυχόν χρησιμοποιηθούν τέτοιες ουσίες, η συνεπακόλουθη ζημία διαπιστώνεται εύκολα και ακυρώνεται οποιαδήποτε εγγύηση. Ενδέχεται να σχηματιστούν μεταλλικές εναποθέσεις από το νερό στον χαλύβδινο περιστρεφόμενο δίσκο, οι οποίες μοιάζουν με σκουριά. **Μην** ανησυχήσετε. Οι χαλύβδινοι περιστρεφόμενοι δίσκοι δεν διαβρώνονται.

## ΑΠΟΡΡΙΨΗ



Το σύμβολο στο προϊόν ή τη συσκευασία υποδεικνύει ότι η συσκευή δεν πρέπει να απορρίπτεται στα οικιακά απόβλητα.

Απορρίπτοντας τη συσκευή με σωστό τρόπο, βοηθάτε στην αποφυγή επικίνδυνων επιπτώσεων στο περιβάλλον και την υγεία.

Περισσότερες πληροφορίες σχετικά με την ανακύκλωση της συσκευής διατίθενται από την αρμόδια αρχή, την τοπική υπηρεσία διαχείρισης απορριμμάτων ή τον προμηθευτή της συσκευής.

- ▷ Απορρίψτε τη συσκευή, η οποία πρέπει να απορριφθεί, σε συγκεκριμένο σημείο συλλογής απορριμμάτων για ηλεκτρονικές και ηλεκτρικές συσκευές.

Σε συμμόρφωση με το υπ' αριθμό 15 άρθρο Νομοθετικού Διατάγματος με ημερομηνία 25 Ιουλίου, Εφαρμογή της Οδηγίας 2002/96/ΕΚ, σχετικά με τη μείωση των επικίνδυνων ουσιών που χρησιμοποιούνται σε ηλεκτρικές και ηλεκτρονικές συσκευές και διαχείριση αποβλήτων».

Το σύμβολο διαγραμμένου κάδου απορριμμάτων με ρόδες στη συσκευή υποδεικνύει ότι στο τέλος της διάρκειας ζωής του, το προϊόν δεν πρέπει να απορριφθεί σαν οικιακό απόβλητο.

Συνεπώς, όταν η συσκευή φθάσει το τέλος της διάρκειας ζωής της, ο χρήστης οφείλει να τη μεταφέρει σε κέντρο ανακύκλωσης κατάλληλο για ηλεκτρονικά και ηλεκτροτεχνικά απόβλητα, ή να την επιστρέψει στον προμηθευτή όταν αγοράσει μια παρόμοια νέα συσκευή.

Η ενδεδειγμένη χωριστή συλλογή συσκευών για επακόλουθη ανακύκλωση, επεξεργασία και φιλική προς το περιβάλλον απόρριψη βοηθά στην αποφυγή ενός δυνητικά αρνητικού αντίκτυπου στο περιβάλλον και την υγεία, ενώ διευκολύνει την ανακύκλωση υλικών που χρησιμοποιούνται στην κατασκευή συσκευών..

Ο απορριμματοποιητής τροφίμων προορίζεται μόνο για οικιακή χρήση.

## SPIS TREŚCI

---


Informacje o instrukcji	87
Przeznaczenie	87
Uwagi dotyczące bezpieczeństwa	88
Elementy montażowe	89
Demontaż starego urządzenia	90
Podłączanie do sieci kanalizacyjnej	91
Instalacja wstępnie zamontowanych elementów montażowych	91
Podłączenie do sieci elektrycznej	93
Montaż kolanka odpływowego	93
Sterowanie przełącznikiem powietrznym	94
Instrukcja Obsługi	95
Rozdrabnianie ciągle	95
Rozdrabnianie partiami:	95
Rozwiązywanie ewentualnych problemów	96
Czyszczenie i konserwacja	97
Utylizacja	97

## INFORMACJE O INSTRUKCJI

Niniejsza instrukcja odnosi się do kilku modeli urządzenia. W związku z tym niektóre opisane w niej funkcje mogą być niedostępne w przypadku konkretnego modelu.

Firma FRANKE zastrzega sobie prawo do wprowadzania zmian produktu bez wcześniejszego powiadomienia. Wszystkie informacje są prawidłowe w chwili wydania niniejszej instrukcji.

- ▶ Zachować instrukcję obsługi.
- ▶ Używać urządzenia opisanego w instrukcji obsługi wyłącznie zgodnie z przeznaczeniem.

Symbol	Znaczenie
	Symbol ostrzeżenia. Ostrzega o ryzyku obrażeń.
▷	Opisy czynności i uwagi pozwalające uniknąć obrażeń i uszkodzenia urządzenia.
▶	Działanie. Opis koniecznej czynności.
■	Rezultat. Rezultat jednej lub kilku czynności.
✓	Warunek, który musi zostać spełniony przed wykonaniem opisanej dalej czynności.

## PRZEZNACZENIE

Młynek do odpadów spożywczych to urządzenie elektryczne, które montuje się pod zlewozmywakiem, aby rozdrabniać odpady spożywcze. Należy upewnić się, że montaż młynka do odpadów jest dozwolony przez stosowne przepisy.

Ten młynek do rozdrabniania odpadów został stworzony z przeznaczeniem do użytku wyłącznie w gospodarstwie domowym.

▷ Młynka do odpadów należy używać wyłącznie do odpadów spożywczych.

## UWAGI DOTYCZĄCE BEZPIECZEŃSTWA

INSTRUKCJE ODNOSZĄCE SIĘ DO ZAGROŻENIA POŻAREM, PORAŻENIA PRĄDEM LUB OBRAŻEŃ CIAŁA.



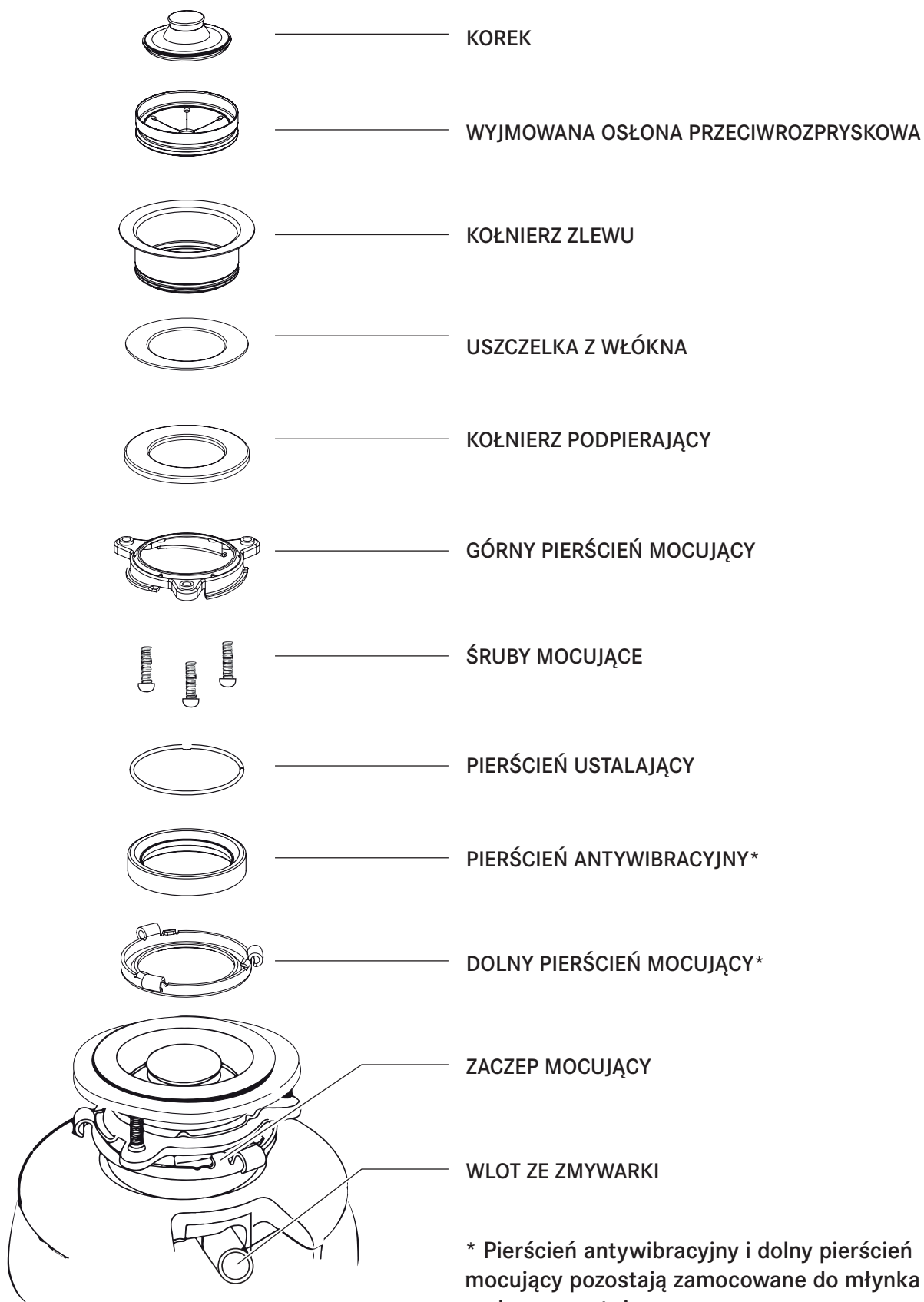
**OSTRZEŻENIE:** Podczas używania urządzeń elektrycznych należy zawsze przestrzegać podstawowych środków ostrożności, włączając w to następujące czynności:

- ▷ Przeczytanie wszystkich instrukcji przed użyciem urządzenia.
- ▷ Aby zmniejszyć ryzyko obrażeń, konieczny jest ścisły nadzór, gdy urządzenie jest używane w pobliżu dzieci.
- ▷ Nie wkładać palców ani dłoni do młynka do odpadów.
- ▷ Przed próbą oczyszczenia zablokowania lub usunięcia przedmiotu z młynka należy odłączyć kabel elektryczny.
- ▷ Podczas próby poluzowania zablokowanego materiału w młynku do odpadów należy użyć długiego drewnianego przedmiotu, jak drewniana łyżka lub drewniany trzonek miotły lub mopa.
- ▷ Podczas próby usunięcia obiektu z młynka do odpadów należy użyć szczypiec lub kleszczy z długimi rączkami. Jeśli młynek jest naładowany magnetycznie, należy używać narzędzi niemagnetycznych.
- ▷ Aby zmniejszyć ryzyko obrażeń spowodowanych przez materiały, które mogą być wyrzucane przez młynek, nie wkładać następujących rzeczy do młynka: muszli małż lub ostryg, żących środków do czyszczenia rur lub podobnych produktów, szkła, porcelany, plastiku, dużych całych kości, metalu, jak nakrętki butelek, puszek do konserw, folii aluminiowej, naczyń, gorącego tłuszczu ani innych gorących płynów, całych kolb kukurydzy.
- ▷ Podczas nieużywania młynka, pozostawić korek na swoim miejscu, aby zmniejszyć ryzyko wpadnięcia przedmiotów do młynka.
- ▷ NIE obsługiwać młynka, chyba że zamontowana jest osłona przeciwrozpryskowa.
- ▷ Aby uzyskać instrukcje dotyczące prawidłowego uziemienia, patrz część PRZYŁĄCZA ELEKTRYCZNE w niniejszej instrukcji.
- ▷ **Ten młynek do odpadów spożywczych został zaprojektowany do pracy wyłącznie pod napięciem 220-240 V~, 50/60 Hz. Zastosowanie innego napięcia lub częstotliwości niekorzystnie wpłynie na jego wydajność.**

Urządzenie musi być podłączone do gniazda sterowanego przełącznikiem.



## ELEMENTY MONTAŻOWE



## DEMONTAŻ STAREGO URZĄDZENIA

UNIWERSALNE INSTRUKCJE. TEN MODEL MOŻE SIĘ RÓŻNIĆ.

- ▷ Przed rozpoczęciem tego kroku, **należy wyłączyć zasilanie elektryczne** przy pomocy wyłącznika głównego lub skrzynki bezpieczników.
- ▷ **Odłączyć wtyczkę młynka.**

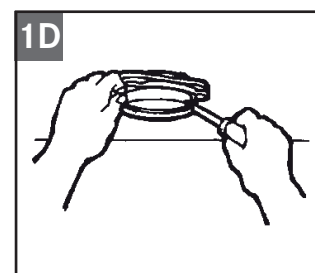
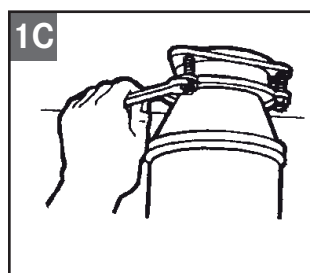
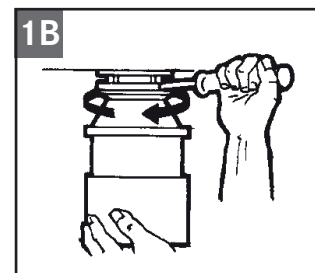
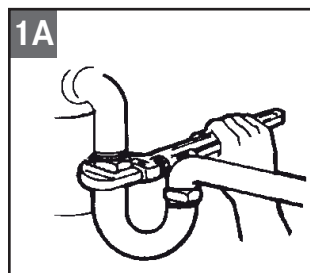
Jeśli stare urządzenie jest tego samego typu, co nowe, wystarczy wykonać w odwrotnej kolejności instrukcje dotyczące montażu, które można znaleźć w części Instalacja wstępnie zamontowanych elementów montażowych. Jeśli nowy system mocujący jest inny, należy postępować zgodnie z następującymi instrukcjami:

- ▶ Zaopatrzyć się w pojemnik do zgromadzenia ewentualnego nadmiaru wody / odpadów z istniejącego młynka
- ▶ Użyć klucza do rur, aby odłączyć rurę spustową, gdzie łączy się z kolankiem spustowym młynka (rys. 1A).
- ▶ Zdemontować młynek z kołnierza zlewu, obracając pierścień mocujący w lewo (rys. 1B). Jeśli nie można obrócić pierścienia mocującego, puknąć młotkiem jedno z przedłużeń pierścienia. Niektóre systemy montażowe posiadają przedłużenia rurowe. Wkładając śrubokręt w jedną z rur zapewni dodatkową dźwignię w celu obrócenia pierścienia mocującego (rys. 1B). Niektóre młynki mogą wymagać odkręcenia lub poluzowania nakrętek śrub mocujących (rys. 1C). Niektóre młynki mogą wymagać zdemontowania zacisków.

**OSTROŻNIE:** Pamiętać, aby podeprzeć młynek podczas wykonywania tego kroku, ponieważ w przeciwnym razie może spaść, gdy pierścień mocujący zostanie odłączony od wstępnie zamontowanych elementów montażowych.

- ▶ Aby zdemontować ze zlewozmywaka pozostały zespół mocujący, należy poluzować śruby i popchnąć do góry pierścień mocujący. Pod nim znajduje się sprężynowy pierścień zabezpieczający. Zdjąć pierścień mocujący przy pomocy śrubokręta (rys. 1D). Zdemontować pierścień mocujący, pierścień ochronny i uszczelkę z kołnierza zlewu. Niektóre mocowania wymagają odkręcenia dużego pierścienia przytrzymującego kołnierz zlewu w odpowiednim miejscu. Pociągnąć kołnierz zlewu do góry przez zlewozmywak i oczyścić zlew ze starej masy uszczelniającej.
- ▶ Upewnić się, że zlewozmywak jest czysty i dobrze wysuszony.

**WAŻNE:** To jest dobry moment, aby przed zmontowaniem nowego młynka wyczyścić odstojnik i opróżnić rury, stosując spiralę do przetykania rur.

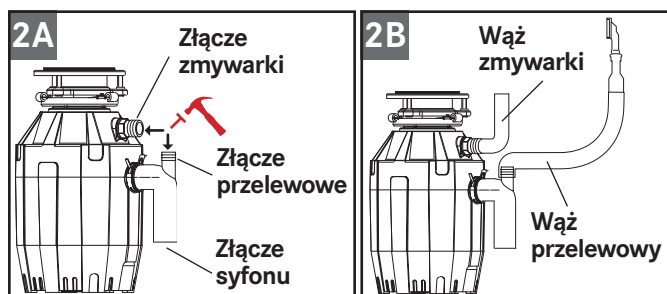


## PODŁĄCZANIE DO SIECI KANALIZACYJNEJ

Jeśli zmywarka i/lub przelew **nie będzie podłączony**, należy przejść do kolejnego kroku.

Jeśli używana jest zmywarka, powinna być podłączona bezpośrednio do odpowiedniego złącza w syfonie. Jeśli w syfonie nie jest dostępne złącze zmywarki, należy wykonać następującą procedurę:

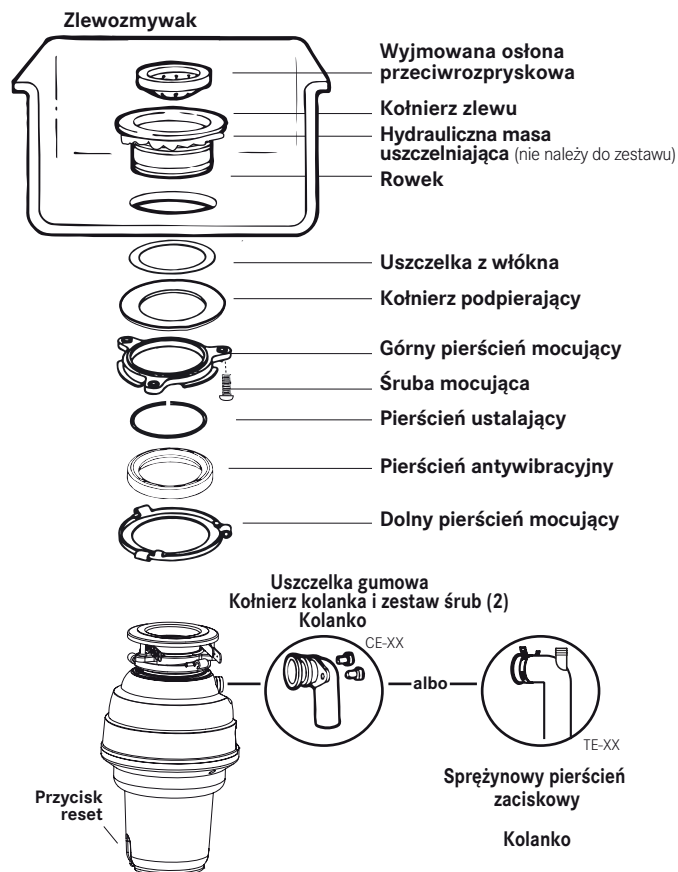
- ▶ Przy pomocy stępionego przedmiotu (stalowego punktaka lub drewnianego kołka) wybić całą zaślepkę (rys. 2A). Nie używać śrubokręta ani ostrych przedmiotów. (Jeśli wybita zaślepka wpadnie do młynka, można ją usunąć lub zmielić podczas używania młynka. W żadnym wypadku nie spowoduje to uszkodzenia młynka, ale może to zająć pewien okres czasu).



- ▶ Podłączyć wąż przelewowy (rys. 2B) przy pomocy zacisków węża. Jeśli rozmiar węża jest inny, należy zastosować gumową zwężkę.
- ▶ Podłączyć wąż zmywarki (rys. 2B) za pomocą zacisku węża. Upewnić się, że wszystkie przyłącza hydrauliczne są szczelne i zamontowane zgodnie z wszystkimi przepisami budowlanymi. Puścić wodę i sprawdzić, czy nie ma wycieków.

## INSTALACJA WSTĘPNIE ZAMONTOWANYCH ELEMENTÓW MONTAŻOWYCH

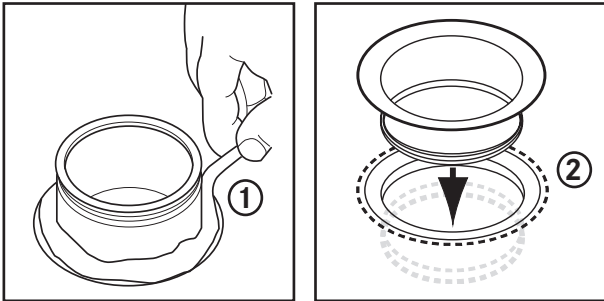
3



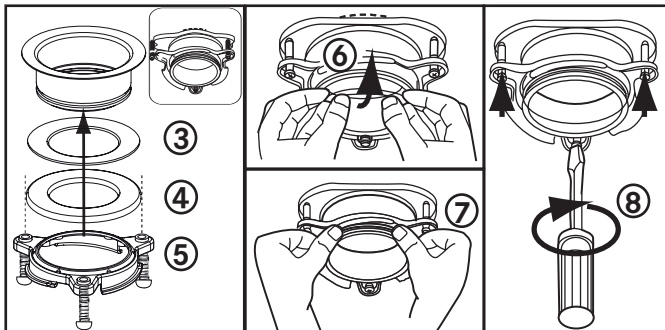
**UWAGA:** Podzespoły montażowe są montowane poza opakowaniem, w takiej samej kolejności, w jakiej zostaną zamontowane do zlewu, więc przed rozmontowaniem podzespołów systemu montażowego proszę zwrócić uwagę na ich kolejność.

- ▶ **Pierścień antywibracyjny i dolny pierścień mocujący pozostają zamocowane do młynka podczas montażu.** Rozmontować pozostałe podzespoły wstępnie zamontowanych elementów montażowych, obracając dolny pierścień mocujący w prawo aż jego zaczepy zsuną się z występu górnego pierścienia mocującego. Umożliwi to oddzielenie górnych elementów montażowych od pozostałych dolnych elementów montażowych.
- ▶ Odkręcić 3 śruby mocujące, aż będzie można przesunąć górny pierścień mocujący na górę kołnierza podpierającego. Zdemontować pierścień ustalający za pomocą śrubokręta.
- ▶ Zachować pozostałe części w jednym miejscu w kolejności, w której zostały zdemontowane. Przed podłączeniem młynka do wstępnie zamontowanych elementów montażowych po zlewem, należy pamiętać, aby dolny pierścień mocujący był w odpowiednim miejscu i czarny pierścień antywibracyjny był nadal prawidłowo zamontowany do górnej części otworu młynka. (Nie demontować pierścienia antywibracyjnego.)

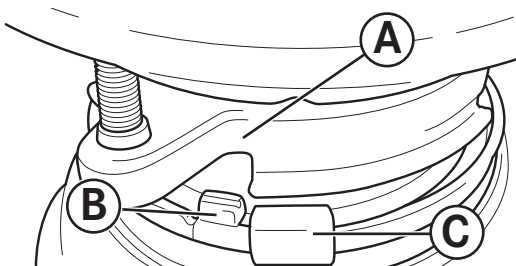
- ▶ Upewnić się, że zlew jest czysty. Nałożyć ściąg masy uszczelniającej na kołnierz zlewu (1). Od góry zlewu wcisnąć kołnierz zlewu w dół w otwór w zlewie, aby zapewnić dobre uszczelnienie (2). **Nie wyjmować ani nie obracać kołnierza** zlewu po jego osadzeniu. W przeciwnym razie można uszkodzić uszczelnienie.



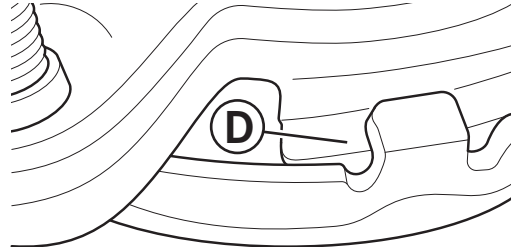
- ▶ Umieścić ciężki przedmiot, np. młynek (użyć ręcznika, aby nie zarysować zlewu) na górze kołnierza zlewu, aby go docisnąć.
- ▶ Zabrać pozostałe elementy montażowe, które były odłożone na bok. Od dołu zlewu włożyć uszczelkę z włókna (3), potem kołnierz podpierający (4) i następnie górny pierścień mocujący (5).
- ▶ Przytrzymać trzy części, jednocześnie montując pierścień ustalający (6), rozciągając go i wsuwając w kołnierz zlewu (7) aż wskoczy w rowek kołnierza zlewu (7).



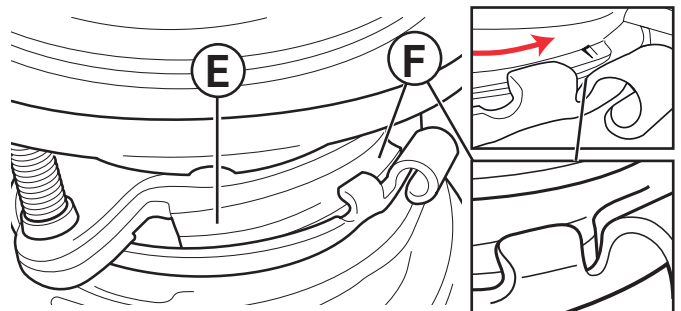
- ▶ Równomiernie i mocno dokręcić trzy śruby mocujące do kołnierza podpierającego (8). Nie dokręcać nadmiernie.
- ▶ Usunąć nadmiar masy uszczelniającej.
- ▶ Zamocować młynek na górnym pierścieniu mocującym, wsuwając trzy zaczepy mocujące na dolnym pierścieniu mocującym na występy na górnym pierścieniu mocującym i obracając w lewo.



- ▶ Dolny pierścień mocujący (który jest częścią młynka) posiada 3 zaczepy, które chwytają występ pierścienia mocującego. (A) wskazuje górny pierścień mocujący. (B) to zaczep, który wsuwa się na „występ”. (C) to „ucho”, które pomaga obrócić dolny pierścień mocujący.
- ▶ Jeśli zajdzie taka potrzeba, użyć śrubokręta, aby podważyć.



- ▶ Unieść i obrócić dolny pierścień mocujący zgodnie z kierunkiem wskazówek zegara, aż wszystkie trzy zaczepy mocujące zablokują się na grzbietach (F) występów (D) górnego pierścienia mocującego.



- ▶ Ponieważ dolny pierścień mocujący jest obracany w lewo, każdy zaczep nasuwa się na występ (E) górnego pierścienia mocującego i blokuje się w położeniu nad grzbietem (F).
- ▶ Jeśli zajdzie taka potrzeba, użyć śrubokręta lub młotka, aby podważyć
- ▶ Jeśli młynek wymaga zdemontowania, pukanie młotkiem w ucho w prawo spowoduje poluzowanie dolnego pierścienia mocującego.

## Podłączenie do sieci elektrycznej

- ▷ Młynek podłączać wyłącznie do domowej sieci elektrycznej.

Urządzenie musi być podłączone do gniazda sterowanego przełącznikiem.

**⚠ OSTRZEŻENIE:** Nieprawidłowe podłączenie przewodu uziemienia urządzenia może spowodować ryzyko **porażenia prądem**. W przypadku wątpliwości należy sprawdzić, korzystając z usług wykwalifikowanego elektryka lub serwisanta, czy urządzenie jest **prawidłowo uziemione**. Nie modyfikować wtyczki dostarczonej z urządzeniem, jeśli nie pasuje ona do gniazda. Należy posiadać **odpowiednie gniazdo** zamontowane przez wykwalifikowanego elektryka.

### Instrukcje dotyczące uziemienia

DLA MŁYNEKÓW DO ODPADÓW WYPOSAŻONYCH W PRZEWÓD ZASILAJĄCY Z WTYCZKĄ Z UZIEMIENIEM

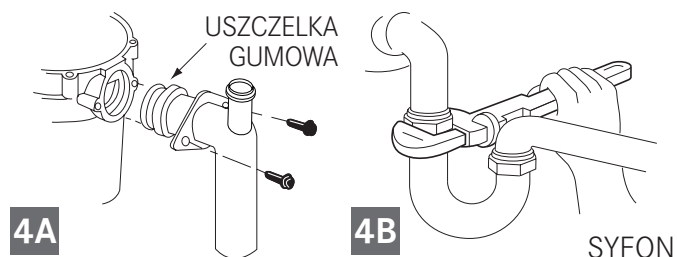
- ▷ Urządzenie musi być uziemione. W przypadku nieprawidłowego działania lub uszkodzenia, uziemienie zapewnia drogę o najmniejszej rezystancji dla prądu elektrycznego, aby zmniejszyć ryzyko porażenia prądem. Urządzenie jest wyposażone w przewód z przewodem uziemiającym urządzenie oraz wtyczkę uziemiającą
- ▷ Wtyczka musi być podłączona do odpowiedniego gniazda, które jest prawidłowo zamontowane i uziemione, zgodnie z wszystkimi lokalnymi przepisami
- ▷ W przypadku uszkodzenia przewodu zasilającego musi on zostać wymieniony przez producenta, pracownika autoryzowanego serwisu lub osobę o podobnych kwalifikacjach, aby uniknąć wszelkich zagrożeń.

**Usunięcie zmontowanego przewodu zasilającego lub wtyczki spowoduje utratę gwarancji.**

## Montaż kolanka odpływowego

MODELE CE-50, CE-75, TE-75S

- ▶ Podłączyć kolanko odpadów do młynka, wsuwając kołnierz na uszczelkę gumową na kolanku i dokręcając śruby do młynka (rys. 4A). Następnie podłączyć dół kolanka, dokręcając nakrętkę ślizgową (rys. 4B). Jeśli zastosowano prostą rurę, musi ona posiadać wargę podobną do tej na kolanku. Zdjąć uszczelkę z kolanka i zamontować ją na prostej rurze, płaskim końcem uszczelki skierowanym w stronę wylotu odpływu młynka.



Jeśli przyłącze jest podłączone do zmywarki, należy wrócić do części **PODŁĄCZENIE DO SIECI KANALIZACYJNEJ (2A-B)**. Upewnić się, że wszystkie przyłącza kanalizacyjne są szczelne i zamontowane zgodnie z wszystkimi przepisami budowlanymi. Puścić wodę i sprawdzić, czy nie ma wycieków.

MODELS TE-50, TE-75, TE-125, TE-125BF

- ▶ Nacisnąć skrzydełka na zacisku sprężynowym, aby zdemontować go z gumowej tulei. Nasunąć zacisk sprężynowy na gładką stronę kolanka i przesunąć go w kierunku wargi kolanka. (rys. 4C).
- ▶ Włożyć kolanko odpadów w tuleję gumową, tak aby wargę kolanka znalazła się w rowku, który znajduje się wewnątrz tulei gumowej. Ustawić zacisk sprężynowy na tulei gumowej i zabezpieczyć (rys. 4D). Jeśli używana jest prosta rura, należy zastosować rurę z wargą pasującą do wargi na kolanku dostarczonym z młynkiem.



- ▶ Jeśli przyłączy jest podłączone do zmywarki, należy wrócić do części **PODŁĄCZENIE DO SIECI KANALIZACYJNEJ (2A-B)**. Upewnić się, że wszystkie przyłącza kanalizacyjne są szczelne i zamontowane zgodnie z wszystkimi przepisami budowlanymi. Puścić wodę i sprawdzić, czy nie ma wycieków.

## Sterowanie przełącznikiem powietrznym

### Zespół przełącznika powietrznego młynka

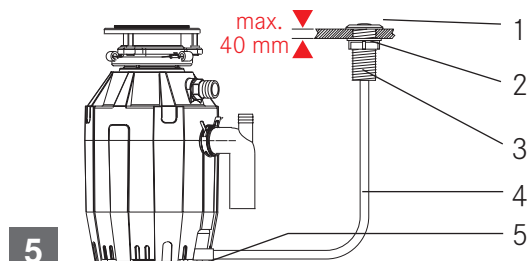
Urządzenie uruchamiające składa się z:

1. Przycisku urządzenia uruchamiającego
2. Nakrętki urządzenia uruchamiającego
3. Wyjścia urządzenia uruchamiającego (element gwintowany)

OBUDOWY CZUJNIKA PRZEŁĄCZNIKA POWIETRZNEGO która jest zamontowana w młynku. Na zewnątrz młynka widoczna jest tylko dysza rurki powietrznej.

ZESPÓŁ RURKI POWIETRZA, który składa się z:

4. Przezroczystej lub czarnej rurki powietrza
5. Nakrętki rurki powietrza (wskazane miejsce podłączenia rurki powietrza)



### Instrukcja obsługi i montażu:

- ▶ Jeśli nie ma otworu, należy wywiercić otwór o średnicy od 35 mm do 40 mm w zlewie lub blacie, gdzie ma być umieszczony przycisk (1) urządzenia uruchamiającego.
- ▶ Przełożyć urządzenie uruchamiające od góry przez wywiercony otwór.
- ▶ Nakręcić nakrętkę (2) na wyjście (3) urządzenia uruchamiającego i mocno dokręcić ręką.
- ▶ Zdecydowanym ruchem podłączyć rurkę powietrza – jeden koniec do wyjścia (3) urządzenia uruchamiającego, a drugi koniec do czujnika wlotowego.
- ▶ Podłączyć przewód zasilający urządzenia do źródła zasilania.
- ▶ Aby włączyć młynek, nacisnąć przycisk (1) urządzenia uruchamiającego. Aby wyłączyć młynek, ponownie nacisnąć przycisku urządzenia uruchamiającego.

### Sugestie:

- ▶ Przed użyciem zmywarki należy upewnić się, że młynek jest pusty, aby zmywarka miała prawidłowy odpływ.
- ▶ Można pozostawić korek w odpływie zlewu, gdy nie jest on używany, aby zapobiec wpadnięciu przyborów i ciał obcych do młynka.
- ▶ Młynek wystarczająco jest mocny, aby zapewnić wieloletnie i bezproblemowe działanie. Poradzi sobie z wszystkimi normalnymi odpadami spożywczymi, ale **NIE** zmieli takich rzeczy, jak: plastik, puszek do konserw, korków butelek, szkła, porcelany, skóry, ubrań, gumy, sznurka, muszli małży i ostryg, aluminium i piór.

## INSTRUKCJA OBSŁUGI

Jeśli dokładnie nie określono podczas zakupu, że młynek ma służyć do rozdrabniania partii odpadów, to młynek służy do ciągłego rozdrabniania odpadów.

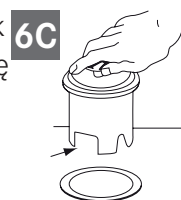
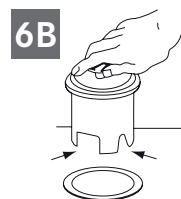
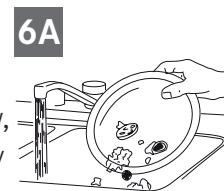
### Rozdrabnianie ciągłe

Wirniki obrotowe zapobiegające zakleszczaniu się wydają dźwięk trzaskania, ponieważ początkowo przechylają się w odpowiednie miejsce. To oznacza normalną pracę

- ▶ Zdjąć korek zlewu. Odkręcić zimną wodę i ustawić średni strumień.
- ▶ Włączyć młynek do odpadów, silnik pracuje z maksymalną prędkością, a urządzenie jest gotowe do użytku.
- ▶ Umieścić resztki w młynku. Do młynka można wkładać resztki po posiłkach, skórki, łupiny, nasiona, orzechy, niewielkie kości oraz fusy. W celu przyspieszenia pracy młynka pokroić lub rozdrobnić ości, skórki i większe kawałki jedzenia. Rozdrobnienie dużych kości oraz włóknistych skór wymaga dużej ilości czasu, łatwiejsze jest więc wyrzucenie ich do śmieci. Spowolnienie pracy młynka podczas rozdrabniania nie powinno być niepokojącym objawem. Młynek po chwili zwiększa moment obrotowy (moc rozdrabniania) i działa normalnie.
- ▶ Przed wyłączeniem urządzenia po zakończeniu rozdrabniania uruchomić je na około 15 sekund puszczając czystą wodę. Zapewnia to spłynięcie wszystkich odpadów do syfonu i odprowadzenie ich do odpływu.
- ▶ Podczas pracy młynka nie zaleca się używania ciepłej wody. Zimna woda utrzymuje odpady i tłuszcze w stanie stałym, umożliwiając młynkowi odprowadzenie do odpływu wszystkich fragmentów.

### Rozdrabnianie partiami:

- ▶ Wyjąć korek zlewu. Włączyć średni przepływ zimnej wody.
- ▶ Zgarnąć odpady spożywcze. Do odpływu spuszczone są odpady ze stołu, obierki warzyw, kolby, łupiny, kości i ziarna kawy (rys. 6A).
- ▶ Włożyć korek, aby rozpocząć mielenie (rys. 6B). Jedna z dwóch małych szczelin w podstawie korka musi zrównać się z trzpieniem przełącznika wewnątrz szyjki młynka. Popchnąć zdecydowanym ruchem w dół, aby uruchomić młynek. Podnieść korek, aby wyłączyć młynek.
- ▶ Pozostawić młynek uruchomiony przez 15 sekund po zakończeniu rozdrabniania. To zapewni, że wszystkie odpady zostaną dokładnie wypłukane do odpływu.
- ▶ Aby napełnić zlew, włożyć korek i wyrównać największą szczelinę z trzpieniem przełącznika (rys. 6C). Popchnąć w dół, aby uszczelnić zlew bez uruchamiania młynka. Gdy średniej wielkości szczelina (rys. 6B) w podstawie korka jest zrównana z trzpieniem przełącznika, woda może ściekać, ale sztuczce itp. nie mogą przypadkowo wpaść do młynka.



### OSTRZEŻENIE

- ▷ Zalecana jest zimna woda.
- ▷ Nie używać młynka do odpadów spożywczych do rozdrabniania twardych materiałów, takich jak szkło lub metal.
- ▷ Wyłączyć urządzenie lub odłączyć je od zasilania podczas próby odblokowania zablokowanej podstawy obrotowej za pomocą drewnianej łyżki.

**NIE WKŁADAĆ DO MŁYNKA:**

- Ługu ani substancji chemicznych do czyszczenia odpływu (kwas chlorowodorowy/solny), ponieważ mogą wywołać silną korozję metalowych elementów
- Zbyt dużych ilości tłuszczu i oleju
- Materiałów z plastiku
- Kawałków dyni
- Skórek od bananów
- Liści ananasa
- Szparagów
- Karczochów
- Skorup mięczaków (np. ostryg, małż, itp.)
- Leków
- Metalu (kapsli od butelek)
- Elementów z plastiku
- Kości wołowych i/lub innych dużych kości

**W MŁYNKU MOŻNA UMIESZCZAĆ:**

- Kolby kukurydzy
- Niewielkie kości (np. kurczaka, królika)
- Łupiny orzechów
- Resztki mięsa
- Skóry melona, arbuza
- Nasiona owoców
- Pestki winogron
- Ziarna ryżu
- Ziarna kawy
- Skorupki jajek
- Rybie ości
- Rybie głowy
- Makarony
- Warzywa lub skórki warzyw
- Sery
- Pieczywo
- Zupy

## ROZWIĄZYWANIE EWENTUALNYCH PROBLEMÓW

---

Przed przystąpieniem do naprawy lub wymiany zaleca się sprawdzenie następujących rzeczy:

**HAŁAS** (inny niż ten generowany podczas rozdrabniania małych kości lub pestek owoców): zazwyczaj spowodowany jest przypadkowym włożeniem do młynka łyżki, kapsla od butelki czy innego przedmiotu.

- ▶ W celu rozwiązania problemu, po zatrzymaniu urządzenia należy je wyłączyć i odłączyć od dopływu wody.

**URZĄDZENIE NIE URUCHAMIA SIĘ:**

- ▶ Odłączyć kabel elektryczny lub wyłączyć wyłącznik ścienny lub na panelu elektrycznym, w zależności od modelu i konfiguracji przewodów.
- ▶ Wyjąć korek. Za pomocą drewnianej rączki miotły sprawdzić, czy obrotnica swobodnie się obraca. Jeżeli obraca się swobodnie, wymienić osłonę przeciwrozpryskową i sprawdzić, czy został wciśnięty przycisk „Reset”. Przycisk „Reset” jest czerwonego koloru i znajduje się po przeciwległej stronie kolanka odpływowego, w pobliżu podstawy urządzenia (rys. 3).

Wcisnąć przycisk aż słyszalne będzie kliknięcie, a przycisk pozostanie wciśnięty. Jeżeli przycisk „Reset” nie jest wciśnięty, sprawdzić czy nie doszło do zwarcia lub uszkodzenia kabla elektrycznego. Sprawdzić wyłącznik elektryczny lub skrzynkę bezpieczników. Jeżeli przewody oraz podzespoły elektryczne nie są uszkodzone, możliwa jest wewnętrzna usterka urządzenia, wymagająca naprawy lub wymiany części.

**JEŻELI OBROTNICA NIE OBRACA SIĘ SWOBODNIE:**

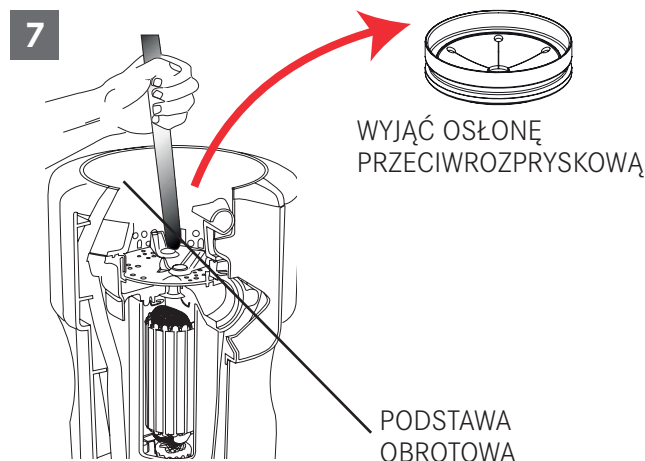
- ▶ Wyłączyć urządzenie, sprawdzić, czy pomiędzy obrotnicą a tarczą wirnika nie znajdują się żadne obce przedmioty. Przesunąć przedmiot obracając obrotnicę drewnianą rączką (np. łyżki, szczotki) i wyjąć przedmiot (rys. 7). Jeżeli w młynku nie znajduje się żaden obcy przedmiot, może to oznaczać awarię wewnętrzną.



WYCIEKI: jeżeli urządzenie przecieka w górnej części, może to być spowodowane:

- Nieprawidłowym założeniem kołnierza zlewu (wyśrodkowanie uszczelki, masy uszczelniającej lub dokręcenie).
- Nieprawidłowym zaciśnięciem pierścienia zaciskowego.
- Uszkodzeniem lub nieprawidłowym montażem zacisku uszczelki.

Wyciek w pobliżu kolanka odpływowego może być spowodowany nieprawidłowym dokręceniem śrub kołnierza kolanka.



## CZYSZCZENIE I KONSERWACJA

### NIE SMAROWAĆ MŁYNKA!

Silnik jest wyposażony w system smarowania stałego. Młynek jest urządzeniem samoczyszczącym, jego części wewnętrzne czyszczone są po każdym użyciu. Nigdy **nie** należy wkładać do młynka łągu ani substancji chemicznych takich jak kwas chlorowodorowy (solny) ani produktów do udrażniania odpływów zlewowych, gdyż mogą spowodować silną korozję metalowych części młynka.

Uszkodzenia powstałe w wyniku stosowania takich produktów są łatwe do zidentyfikowania i powodują wygaśnięcie gwarancji. Na obrotnicy ze stali nierdzewnej mogą gromadzić się osady mineralne z wody przypominające rdzę. **Nie należy się niepokoić:** obrotnica wykonana jest ze stali nierdzewnej, w związku z czym nie ulega korozji.

## UTYLIZACJA



Ten symbol na produkcie lub opakowaniu informuje, że urządzenia nie należy utylizować z odpadami z gospodarstwa domowego.

Prawidłowa utylizacja urządzenia pozwala uniknąć wywierania negatywnego wpływu na środowisko naturalne i zdrowie.

Dalsze informacje na temat recyklingu urządzenia można uzyskać, kontaktując się z odpowiednimi władzami, miejscową firmą zajmującą się utylizacją odpadów lub sprzedawcą urządzenia.

- ▷ Przeznaczone do utylizacji urządzenie przekazać do specjalnego punktu zbiórki odpadów elektronicznych i elektrycznych.

Zgodnie z Rozporządzeniem nr 15 z dnia 25 lipca, wprowadzającym dyrektywę 2002/96/WE w sprawie ograniczenia stosowania niektórych niebezpiecznych substancji w sprzęcie elektrycznym i elektronicznym oraz utylizacji odpadów.

Symbol przekreślonego kosza umieszczony na urządzeniu oznacza, że po zakończeniu eksploatacji urządzenia nie wolno utylizować wraz z odpadami domowymi.

Po zakończeniu eksploatacji urządzenia użytkownik ma obowiązek odnieść urządzenie do odpowiedniego punktu zbiórki zużytego sprzętu elektrycznego i elektronicznego lub zwrócić sprzedawcy przy zakupie nowego urządzenia tego samego typu.

Właściwa selektywna zbiórka odpadów przekazywanych następnie do recyklingu, uzdatniania i biodegradacji pozwala ograniczyć możliwy szkodliwy wpływ na środowisko naturalne i zdrowie człowieka oraz ułatwia odzyskiwanie materiałów, z których wykonano urządzenie.

Młynek do odpadów przeznaczony jest wyłącznie do użytku domowego.

## CUPRINS

---


Informații privind manualul	99
Utilizarea prevăzută	99
Informații de siguranță	100
Componentele ansamblului	101
Îndepărtarea unității vechi	102
Racordarea țevăriei	103
Instalarea ansamblului de montaj	103
Conexiune electrică	105
Atașarea cotului de descărcare	105
Comutatorul operat cu aer	106
Instrucțiuni de operare	106
Alimentare continuă	106
Alimentare în tranșe	107
Depanare	108
Curățare și întreținere	109
Reciclare	109

## INFORMAȚII PRIVIND MANUALUL

Acest manual de utilizare se aplică mai multor modele. Prin urmare, este posibil ca unele dintre dotările și funcțiile descrise să nu fie disponibile pentru modelul dumneavoastră.

FRANKE își rezervă dreptul de a efectua modificări la produs fără o notificare prealabilă. Toate informațiile sunt corecte la momentul publicării.

- ▶ Păstrați manualul de utilizare.
- ▶ Folosiți dispozitivul descris în manual numai în concordanță cu scopul pentru care a fost creat.

Simbol	Semnificație
	Simbol de avertizare. Avertizare împotriva riscurilor de accidentare.
▷	Acțiuni de siguranță și note de avertizare pentru evitarea producerii accidentelor sau pagubelor.
▶	Acțiune specifică. Descrie acțiunea ce trebuie efectuată.
■	Rezultat. Rezultatul obținut în urma unei sau mai multor acțiuni.
✓	Condiția ce trebuie îndeplinită înainte de efectuarea acțiunii descrise în continuare.

## UTILIZAREA PREVĂZUTĂ

Tocătorul de deșeuri alimentare este un aparat electric care trebuie instalat sub chiuvetă, în vederea mărunțirii deșeurilor alimentare.

Asigurați-vă că autoritățile permit instalarea tocătorului de deșeuri.

- ▷ Utilizați tocătorul de deșeuri numai pentru deșeuri alimentare.

## INFORMAȚII DE SIGURANȚĂ

INSTRUCȚIUNII REFERITOARE LA RISCUL DE INCENDIU, ELECTROCUTARE SAU ACCIDENTAREA PERSOANELOR.

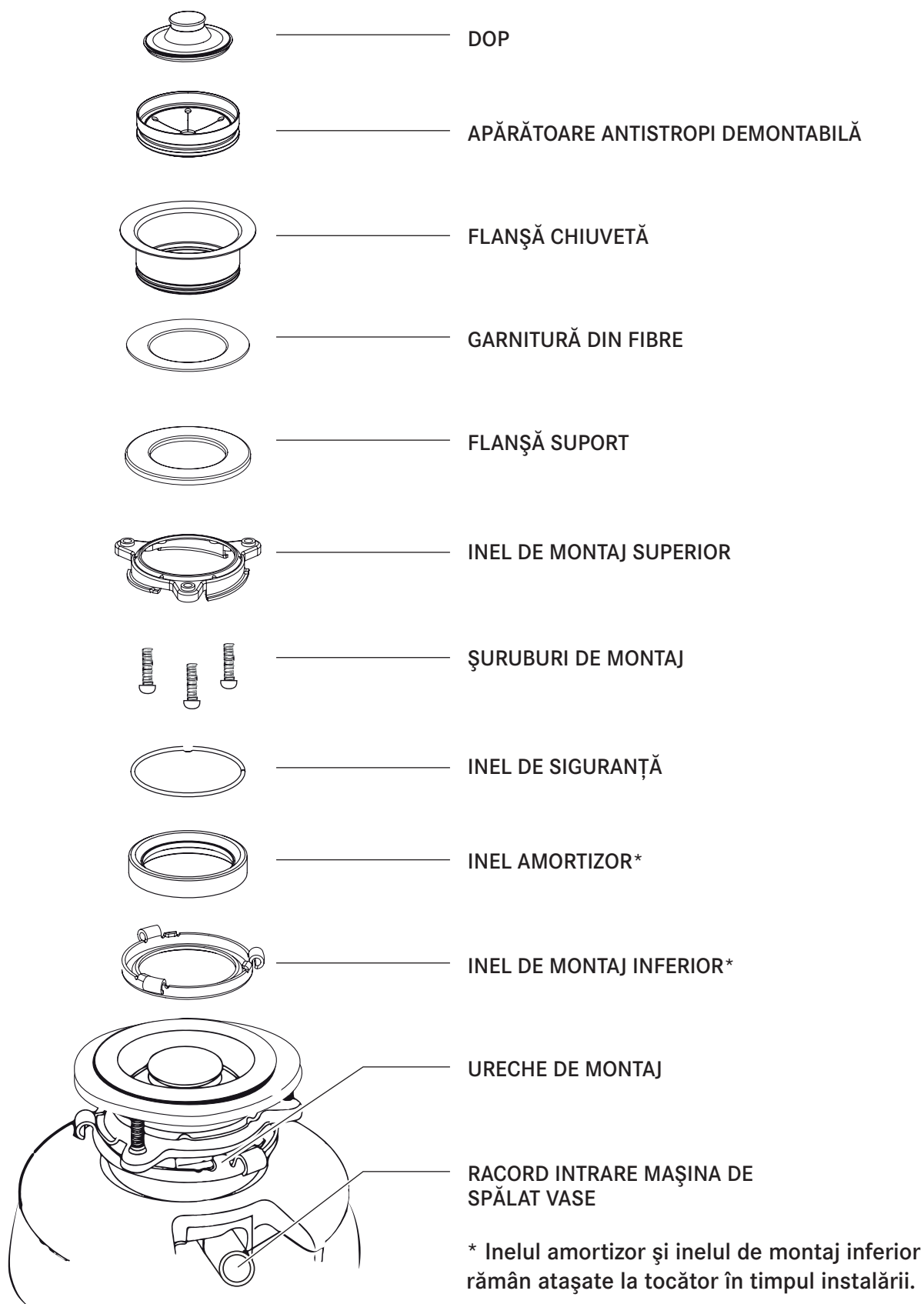


**AVERTIZARE:** Când utilizați aparate electrocasnice, trebuie adoptate măsuri preventive de bază, care includ următoarele:

- ▷ Citiți toate instrucțiunile înainte de utilizarea aparatului.
- ▷ Pentru a reduce riscul de accidentare, este necesară o supraveghere atentă când un aparat este utilizat în apropierea copiilor.
- ▷ Nu introduceți degetele sau mâinile într-un tocător de deșeuri.
- ▷ Rotiți întrerupătorul de alimentare în poziția off (deconectat) înainte de a încerca să eliberați tocătorul de un blocaj sau să scoateți un obiect din el.
- ▷ Când încercați să eliberați un blocaj dintr-un tocător de deșeuri, folosiți un obiect lung de lemn, ca de exemplu o lingură de lemn sau mânerul de lemn al unei măhuri sau al unui mop.
- ▷ Când încercați să scoateți obiecte dintr-un tocător de deșeuri, folosiți o pensă sau un clește cu mânere lungi. Dacă tocătorul de deșeuri este acționat magnetic, trebuie utilizate scule nemagnetice.
- ▷ Pentru a reduce riscul de accidentare de către materiale care pot fi eliminate de către tocătorul de deșeuri, nu introduceți următoarele într-un tocător: cochilii de moluște sau scoici; agenți caustici de curățare a scurgerii la canalizare sau produse similare; sticlă; porțelan sau plastic; oase mari întregi; metal, cum ar fi capse de sticle, folii de aluminiu sau instrumente; grăsimi fierbinte sau alte lichide fierbinți; boabe de cereale întregi.
- ▷ Când nu operați cu tocătorul, lăsați dopul la loc, pentru a reduce riscul de cădere a obiectelor în tocător.
- ▷ NU operați tocătorul fără a avea montată apărătoarea antistropi.
- ▷ Pentru instrucțiunile de legare corectă la pământ vezi secțiunea CONEXIUNI ELECTRICE din prezentul manual.
- ▷ **Acest tocător de deșeuri alimentare a fost proiectat pentru a funcționa exclusiv la 220-240 V~, 50/60 Hz. Utilizarea la altă tensiune sau frecvență afectează negativ performanțele**

Priza la care este racordat aparatul trebuie să fie controlată printr-un întrerupător.

## COMPONENTELE ANSAMBLULUI



## ÎNDEPĂRTAREA UNITĂȚII VECHI

INSTRUCȚIUNI TIPICE, MODELUL DUMNEAVOASTRĂ POATE SĂ VARIEZE.

- ▷ Înainte de a începe acest pas, **deconectați alimentarea cu energie electrică** de la ruptorul de circuit sau cutia de siguranțe fuzibile.
- ▷ **Scoateți din priză tocătorul.**

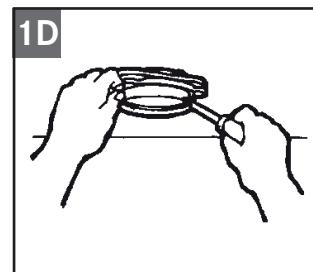
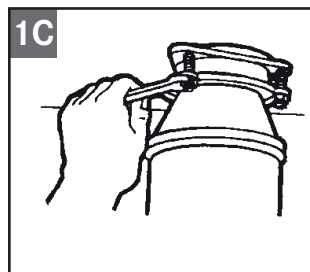
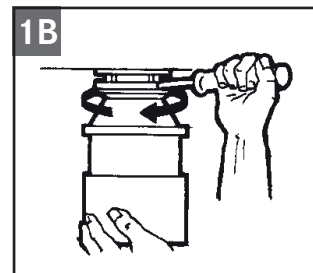
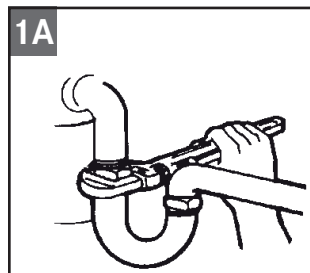
Dacă montura veche este de același tip ca și montura tocătorului nou, doar aplicați în ordine inversă instrucțiunile de instalare găsite la instalarea ansamblului de montaj. Dacă sistemul monturii noi este diferit, urmați aceste instrucțiuni:

- ▶ Țineți la îndemână un recipient pentru colectarea apei deversate / a deșeurilor din tocătorul actual.
- ▶ Folosiți o cheie pentru țevi pentru a decupla conducta de scurgere la canalizare de la racordul cotului de evacuare al tocătorului (fig. 1A).
- ▶ Îndepărtați tocătorul de la flanșa chiuvetei, prin rotirea inelului de montaj spre stânga în sens orar (fig. 1B). Dacă nu puteți roti inelul de montaj, bateți cu un ciocan pe o prelungire a inelului. Unele sisteme de montaj au extensii tubulare. Introduceți o șurubelniță în una din țevi pentru ajutor la rotirea inelului de montaj (fig. 1B).
- ▶ Unele tocătoare pot să necesite îndepărtarea sau desfacerea piulițelor de pe șuruburile de montaj (fig. 1C). Unele tocătoare pot să necesite demontarea unui colier.

**ATENȚIE:** Aveți grijă să sprijiniți tocătorul când executați acest pas, pentru a nu cădea când se decuplează inelul de montaj de la ansamblul monturii.

- ▶ Pentru a îndepărta componentele rămase ale sistemului de montaj, desfaceți șuruburile, împingeți în sus inelul de montaj. Dedesubt este înclichetat inelul de fixare. Cu ajutorul unei șurubelnițe extrageți inelul (fig. 1D). Scoateți inelul de montaj, inelul de protecție și garnitura de pe flanșa chiuvetei. Unele monturi pot necesita deșurubarea unui inel mare care ține pe loc flanșa chiuvetei. Trageți flanșa chiuvetei în sus prin chiuvetă și curățați chitul vechi de pe chiuvetă.
- ▶ Aveți grijă de chiuvetă să fie curată și bine uscată.

**IMPORTANT:** Acesta este un moment potrivit pentru a curăța sifonul și conductele de scurgere la canalizare cu un melc de scurgeri sau un șarpe de instalator, înainte de instalarea tocătorului nou.

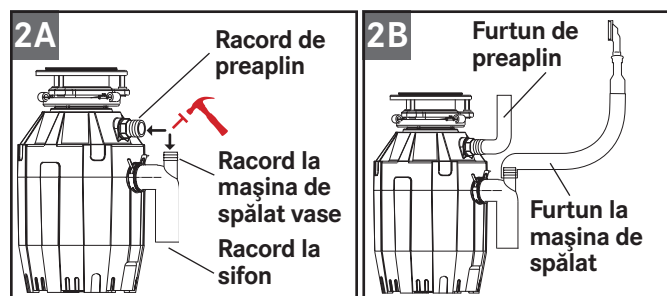


## RACORDAREA ȚEVĂRIEI

Dacă **nu se racordează** o mașină de spălat vase și/sau o scurgere de preaplin, mergeți la secțiunea următoare.

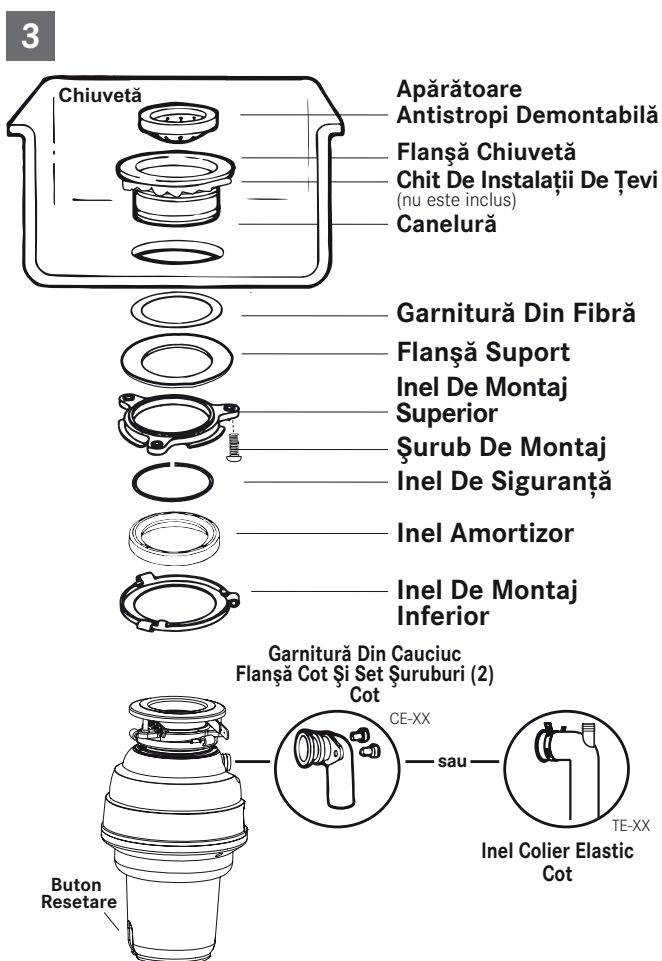
Dacă folosiți o mașină de spălat vase, aceasta trebuie racordată de preferință direct la racordul corespunzător de la sifon. Dacă nu este disponibil un racord pentru mașina de spălat la sifon, executați procedura de mai jos:

- ▶ Cu ajutorul unui instrument bont (dorn de oțel sau cep de lemn), extrageți prin batere dopul complet (fig. 2A). Nu folosiți o șurubelniță sau un instrument ascuțit. (Dacă dopul ciocănit cade în tocător, puteți să îl scoateți sau să îl mărunțiți prin utilizarea tocătorului. Aceasta nu deteriorează tocătorul, dar poate necesita un timp pentru mărunțire).



- ▶ Racordați furtunul de preaplin (fig. 2B) cu un colier de furtun. Dacă dimensiunea furtunului diferă, vă trebuie un adaptor din cauciuc în trepte.
- ▶ Racordați furtunul mașinii de spălat vase (fig. 2B) cu un colier de furtun. Aveți grijă ca toate racordările de țevărie să fie strânse și în conformitate cu standardele și directivele privind instalațiile de țevi. Dați drumul la apă și verificați dacă există scurgeri de neatenșitate.

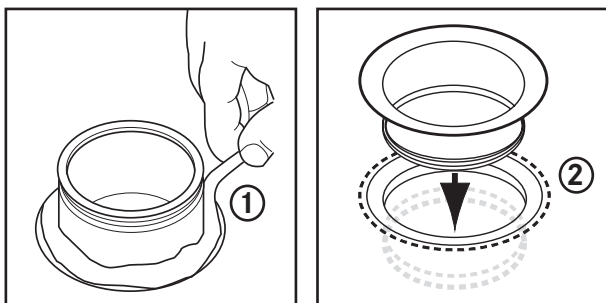
## INSTALAREA ANSAMBLULUI DE MONTAJ



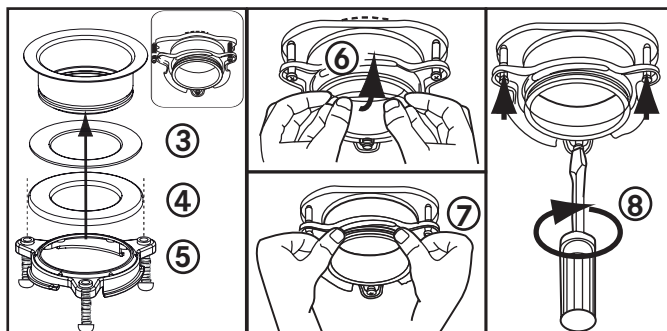
**NOTĂ:** Componentele de montaj sunt scoase din cutie asamblate în aceeași ordine în care vor fi asamblate pe chiuvetă, și de aceea vă rugăm să fiți atent la ordinea montării componentelor de sistem înainte de ale dezambla.

- ▶ **Inelul amortizor și inelul de montaj inferior rămân atașate la tocător în timpul instalării.** Dezasamblați celelalte componente ale ansamblului de montaj prin rotirea inelului inferior în sens orar, până când urechile inelului de montaj inferior glisează afară de pe bordura inelului de montaj superior. Aceasta vă permite să separați ansamblul superior de ansamblul inferior rămas pentru montaj.
- ▶ Desfaceți cele 3 șuruburi de montaj până când inelul de montaj superior poate fi mutat în partea superioară a flanșei suport. Scoateți inelul de siguranță cu o șurubelniță.
- ▶ Păstrați piesele rămase împreună amplasate în ordinea în care au fost demontate. Înainte de racordarea tocătorului la ansamblul de montaj sub chiuvetă, asigurați-vă că inelul inferior de montaj este la loc și inelul negru de amortizare este amplasat corespunzător în partea superioară a deschiderii tocătorului. (Nu scoateți inelul amortizor.)

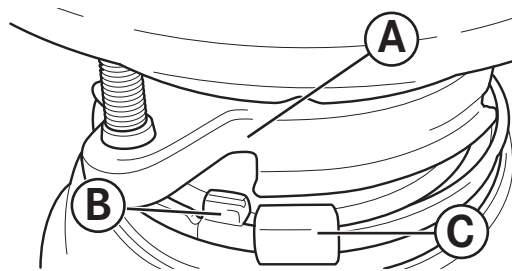
- ▶ Asigurați-vă că este curată chiuveta. Aplicați un strat de chit pentru instalații de țevi pe flanșa chiuvetei (1). Dinspre partea superioară a chiuvetei, împingeți flanșa chiuvetei în jos spre deschiderea chiuvetei, pentru a realiza o etanșare bună (2) **nu mișcați sau rotiți** flanșa chiuvetei odată ce a fost așezată; în caz contrar se poate rupe etanșarea.



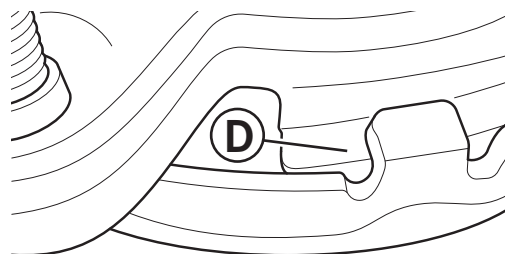
- ▶ Așezați un obiect greu, cum ar fi tocătorul (folosiți un prosop pentru a preveni zgârierea chiuvetei) deasupra flanșei chiuvetei, pentru a o ține jos.
- ▶ Luați componentele rămase ale ansamblului de montaj, puse alături în prealabil. Dinspre partea inferioară a chiuvetei inserați garnitura din fibre (3), după care flanșa suport (4), și apoi inelul superior de montaj (5).
- ▶ Tineți cele trei piese pe loc în timp ce atașați inelul de siguranță (6) prin tragere într-o parte și glisarea lui în flanșa chiuvetei (7) până se înclichează în canelura din flanșa chiuvetei (7).



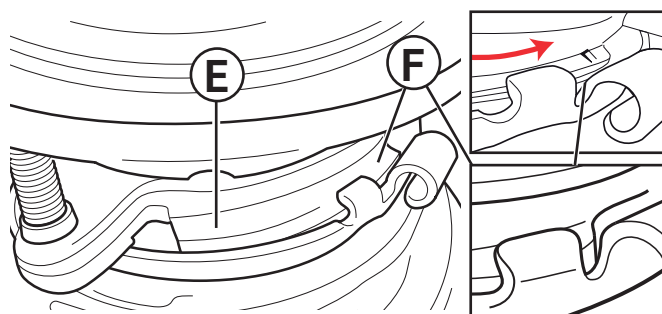
- ▶ Strângeți uniform și ferm cele trei șuruburi de montaj pe flanșa suport (8). Nu le suprastrângeți.
- ▶ Curățați chitul de instalații în exces.
- ▶ Atașați tocătorul la inelul de montaj superior prin alinierea celor trei urechi de montaj pe inelul inferior de montaj cu bordurile de glisare pe inelul de montaj superior și îl rotiți în sens antiorar.



- ▶ Inelul inferior de montaj (care este componentă a tocătorului) are 3 urechi care se cupleză în bordura inelului de montaj.  
(A) puncte la inelul de montaj superior.  
(B) este urechea care glisează în sus pe „bordură”.  
(C) este „urechea” care se folosește pentru a ajuta rotirea inelului de montaj inferior.
- ▶ Folosiți o șurubelniță pentru ridicare dacă este necesar.



- ▶ Ridicați și rotiți inelul inferior de montaj în sens antiorar până când cele trei urechi de montaj se blochează peste nervurile (F) de pe bordurile de glisare (D) ale inelului de montaj superior.



- ▶ În timp ce inelul de montaj inferior este rotit în sens antiorar, fiecare ureche glisează în sus în bordura inelului de montaj superior (E) și se blochează în poziție deasupra nervurilor (F).
- ▶ Folosiți o șurubelniță sau un ciocan pentru ridicare dacă este necesar.
- ▶ Dacă un tocător trebuie demontat, prin batere pe ureche în sens orar cu un ciocan se facilitează desfacerea inelului de montaj inferior.



## Conexiune electrică

- ▷ Racordați tocătorul numai la o sursă de curent corespunzătoare pentru aparate electrocasnice.

Priza la care este racordat aparatul trebuie să fie controlată printr-un întrerupător.

**AVERTIZARE:** Conectarea necorespunzătoare a conductorului de împământare a echipamentului poate cauza risc de **electrocutare**. Verificați cu un electrician calificat sau tehnician de service dacă aveți îndoieli privind **legarea corespunzătoare la pământ** a aparatului electrocasnic. Nu modificați ștecherul livrat cu aparatul electrocasnic dacă nu se potrivește la priză. Dispuneți **instalarea unei prize corespunzătoare** de către un electrician competent.

## Instrucțiuni de împământare

PENTRU TOCĂTOARELE DE DEȘEURI ECHIPARE CU UN CABLU DE ALIMENTARE CU ȘTECHER CU ÎMPĂMÂNTARE

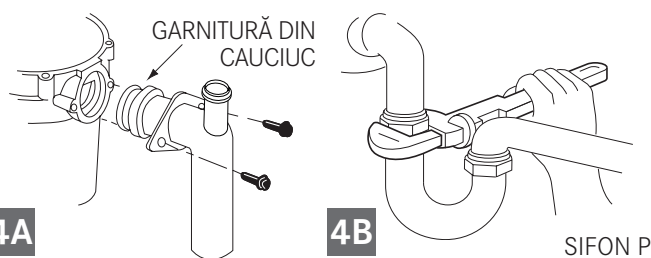
- ▷ Acest aparat electrocasnic trebuie împământat. În cazul unei disfuncționalități sau a unei defecțiuni, împământarea asigură o cale de rezistență minimă pentru curentul electric, pentru a reduce riscul de electrocutare. Acest aparat electrocasnic este echipat cu un cablu cu conductor de împământare a echipamentului și un ștecher de împământare.
- ▷ Ștecherul trebuie să fie cuplat într-o priză adecvată, instalată corespunzător și legată la pământ conform cu toate standardele și directivele locale.
- ▷ În cazul în care cablul de alimentare este deteriorat, acesta trebuie înlocuit de către producător sau de către tehnicianul său de service, sau o persoană calificată similar, pentru a preveni producerea oricărui accident.

**Dacă se demontează un cablu atașat sau ștecherul, se anulează garanția.**

## Atașarea cotului de descărcare

MODELELE CE-50, CE-75, TE-75S

- ▶ Racordați cotul de deșeuri la tocător prin glisarea flanșei spre garnitura de cauciuc de pe cot și strângeți șuruburile în tocător (fig. 4A). După aceea racordați partea de jos a cotului prin strângerea piuliței glisante (fig. 4B). Dacă folosiți o țevă dreaptă, trebuie să aibă o margine de îmbinare similară cu cea de pe cot. Scoateți garnitura de pe tocător și o montați pe țeava dreaptă cu capătul plat al garniturii orientat spre deschiderea de evacuare a tocătorului.



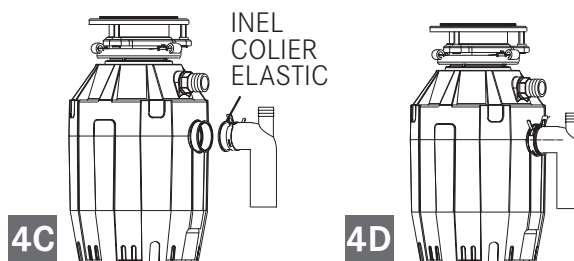
4A

4B

Dacă faceți racordarea la o mașină de spălat vase, reveniți la secțiunea RACORDAREA ȚEVĂRIEI (2A-B). Dacă nu, aveți grijă ca toate racordările de țevărie să fie strânse și în conformitate cu standardele și directivele privind instalațiile de țevi. Dați drumul la apă și verificați dacă există scurgeri de neetanșeitare.

MODELELE TE-50, TE-75, TE-125, TE-125BF

- ▶ Apăsăți aripile colierului elastic pentru a-l scoate de pe manșonul de cauciuc. Glisați colierul elastic pe partea netedă a cotului și îl glisați spre capătul cu marginea de îmbinare a cotului (fig. 4C).
- ▶ Introduceți cotul de deșeuri în manșonul de cauciuc astfel încât marginea de îmbinare a cotului să se potrivească la canelura din interiorul manșonului de cauciuc. Poziționați colierul elastic deasupra manșonului de cauciuc și îl fixați (fig. 4D). Dacă folosiți o țevă dreaptă, folosiți una care are o margine de îmbinare care se potrivește cu marginea de pe cotul livrat cu tocătorul.



4C

4D

- ▶ Dacă faceți racordarea la o mașină de spălat vase, reveniți la secțiunea RACORDAREA ȚEVĂRIEI (2A-B). Dacă nu, aveți grijă ca toate racordările de țevărie să fie strânse și în conformitate cu standardele și directivele privind instalațiile de țevi. Dați drumul la apă și verificați dacă există scurgeri de neetanșeitare.

## Comutatorul operat cu aer

### Ansamblu comutator cu aer tocător

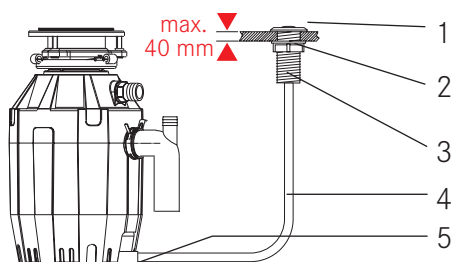
Actuatorul care constă din:

1. Buton actuator
2. Piuliță actuator
3. Leșire actuator (porțiune filetată)

INCINTA SENZORULUI COMUTATORULUI cu aer care este montată pe tocător. numai ajutorul țevii de aer este vizibil din exteriorul tocătorului.

ANSAMBLUL ȚEVII DE AER care constă din:

4. Țeavă de aer - transparentă sau neagră
5. Piuliță țeavă de aer



5

### Instrucțiuni de instalare și operare

- ▶ Dacă nu există deja o gaură - perforați o gaură de 35 mm până la 40 mm în chiuvetă sau planul superior, acolo unde se amplasează butonul actuatorului (1).

- ▶ Introduceți, din partea superioară, ieșirea actuatorului prin gaura perforată.
- ▶ Înșurubați piulița actuatorului (2) pe ieșirea actuatorului (3) și o strângeți ferm cu mâna.
- ▶ Racordați ferm țeava de aer; un capăt la ieșirea actuatorului (3) și un capăt la intrarea senzorului. Cuplați ștecherul cablului tocătorului în priză rețelei de alimentare electrică.
- ▶ Pentru pornirea tocătorului, apăsați butonul actuatorului (1). Pentru oprire, apăsați din nou butonul actuatorului.

### Sugestii

- ▶ Asigurați-vă că tocătorul este gol înainte de a utiliza mașina de spălat vase; în acest fel se poate scurge corespunzător la canalizare.
- ▶ Se recomandă să lăsați dopul pe scurgerea la canalizare a chiuvetei când nu este utilizată, pentru a evita căderea uneltelor sau obiectelor străine în tocător.
- ▶ Tocătorul dumneavoastră are o construcție solidă, care vă oferă ani mulți de funcționare fără probleme. Procesează toate deșeurile normale de alimente, dar NU mărunțește sau elimină articole cum sunt cele din plastic, doze metalice, capse de sticle, sticlă, porțelan, piele, textile, cauciuc, sfoară, cochilii de moluște sau scoici, folii de aluminiu sau pene de pasăre.

## INSTRUCȚIUNI DE OPERARE

Tocătorul dumneavoastră este alimentat continuu dacă nu ați cumpărat anume un tocător cu alimentare în tranșe.

### Alimentare continuă

Rotoarele cu turbionare antiblocare emit un sunet clic deoarece mai întâi oscilează pe loc. Aceasta indică funcționare normală.

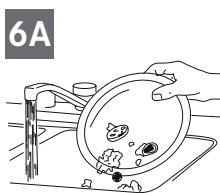
- ▶ Îndepărtați dopul. Porniți un debit mediu de apă rece.
- ▶ Rotiți întrerupătorul în poziția ON (activat); motorul pornește la turația maximă și gata de utilizare.
- ▶ Aruncați deșeuri alimentare. Jos la scurgerea spre canalizare se duc deșeuri de la masă, coji, cruste, semințe, sămburi, oase mici și zaț de cafea. Pentru a accelera tocarea deșeurilor alimentare, tăiați sau rupeți oase mari, cruste și boabe.

- ▶ Oasele mari și păstaiile fibroase necesită un timp considerabil de mărunțire și sunt mai ușor de evacuat cu alte gunoaie. Nu vă alarmați dacă tocătorul încetinește în timpul mărunțirii. De fapt tocătorul mărește momentul de rotație (puterea de mărunțire) și funcționează în condiții normale.
- ▶ Înainte de a opri tocătorul, mai lăsați apa să curgă și tocătorul să funcționeze aproximativ 15 secunde după ce se oprește fărămițarea. În acest fel se asigură că toate deșeurile sunt clătite temeinic prin sifon și scurgerea la canalizare.
- ▶ Nu se recomandă să se utilizeze apă fierbinte în timp ce tocătorul funcționează. Apa rece menține deșeurile și grăsimile rigide, astfel încât tocătorul să poată clăti particulele.

## Alimentare în tranșe

- ▶ Îndepărtați dopul. Porniți un debit mediu de apă rece.

- ▶ Aruncați deșeur alimentare. Jos la scurgerea spre canalizare se duc deșeur de la masă, coji vegetale, boabe, cruste, sâmburi, oase și zaț de cafea (fig. 6A).



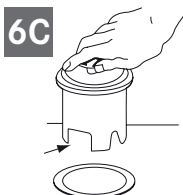
Introduceți dopul pentru a porni tocătorul (fig. 6B) Una din cele două fante mici din baza dopului trebuie să se alinieze cu plungerul întrerupător în interiorul gătului tocătorului.



Împingeți ferm pentru a porni tocătorul. Ridicați dopul pentru a opri tocătorul. .

- ▶ Lăsați să funcționeze tocătorul 15 secunde după oprirea fărâmițării. În acest fel se asigură că toate deșeurile sunt clătite temeinic și eliminate prin scurgerea la canalizare.

- ▶ Pentru a umple chiuveta, introduceți dopul și aliniați fanta cea mai mare cu plungerul întrerupător (fig. 6C). Împingeți în jos pentru a etanșa chiuveta fără a porni tocătorul. Când fanta de mărime medie (fig. 6B) din baza dopului este aliniată cu plungerul întrerupător, apa se poate scurge la canalizare dar materiale de la masă etc. nu pot fi scăpate accidental în tocător.



### ATENȚIE

- ▷ Se recomandă apă rece.
- ▷ Nu folosiți tocătorul de deșeur cu materiale dure cum sunt sticla sau metalul.
- ▷ Opriți mașina sau o scoateți din priză când încercați să deblocați o masă rotativă cu o lingură de lemn.

## NU INTRODUCEȚI:

- Sodă caustică și chimicale de curățire a scurgerii la canalizare (acid clorhidric și acid muriatic), deoarece pot cauza corodarea serioasă a pieselor metalice. Dacă se folosesc, deteriorările rezultate sunt ușor de identificat și toate garanțiile se anulează
- Grăsime și ulei în exces
- Materiale plastice
- Dovleci
- Coji de banană
- Frunze de ananas
- Sparanghel
- Anghinare
- Cochilii (de ex. scoici, midii etc.)
- Medicamente
- Metal (dopuri de sticle)
- Piese din plastic
- Oase de vită și/sau oase mari

## SE POT INTRODUCE:

- Boabe de porumb
- Oase mici (de ex. pui, iepure)
- Coji de nucă
- Resturi de carne
- Coji de pepene galben, pepene verde
- Sâmburi de fructe
- Sâmburi de strugure
- Orez
- Zaț de cafea
- Coji de ouă
- Oase de pește
- Capete de pește
- Paste
- Vegetale sau coji de vegetale
- Brânză
- Pâine
- Supă

## DEPANARE

Înainte de a încerca repararea sau înlocuirea, vă recomandăm să revedeți următoarele:

**ZGOMOTE PUTERNICE** (altele decât la mărunțirea oaselor mici și a sâmburilor de fructe): acestea sunt cauzate de pătrunderea accidentală a unei linguri, capse de sticlă sau altui obiect străin.

- ▶ Pentru corectarea acestora, deconectați întrerupătorul electric și opriți apa. După oprirea tocătorului.

**UNITATEA NU PORNEȘTE:**

- ▶ Scoateți din priză cablul de alimentare sau deconectați de la întrerupătorul de perete sau cutia ruptorului în poziția „OFF”, în funcție de modelul dumneavoastră și configurația cablajului.
- ▶ Îndepărtați dopul și/sau apărătoarea antistropi. Verificați cu un mâner de lemn dacă masa rotativă se învâрте liber. Dacă masa rotativă se învâрте liber, înlocuiți apărătoarea antistropi și verificați butonul de resetare pentru a vedea dacă a declanșat. Butonul de resetare este roșu și amplasat în partea opusă cotului de evacuare, lângă bază (fig. 3). Apăsăți butonul până face clic și rămâne apăsat.
- ▶ Dacă butonul de resetare nu a declanșat, verificați dacă există un fir în scurtcircuit sau rupt care conectează la tocător. Verificați întrerupătorul de alimentare cu energie, cutia de siguranțe fuzibile sau ruptorul de circuit. Dacă cablajul și componentele electrice sunt intacte, unitatea poate avea probleme interne, care necesită service sau înlocuire.

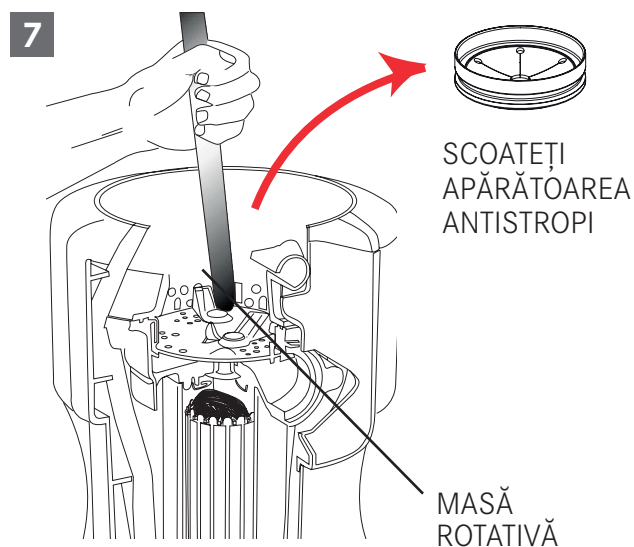
**DACĂ MASA ROTATIVĂ NU SE ÎNVÂRTEȘTE LIBER:**

- ▶ Opriți tocătorul, după care verificați dacă există vreun obiect străin între masa rotativă și inelul de mărunțire. Dizlocați obiectul prin rotirea mesei cu un mâner de mătură de lemn și îl scoateți (fig. 7). Dacă nu este prezent nici un obiect străin, pot fi probleme interne.

**SCURGERI DE NEETANȘEITATE:** Dacă unitatea are scurgeri de neetanșeitate în partea superioară, acestea se pot datora:

- Așezării necorespunzătoare a flanșei chiuvetei (centrarea garniturii, chit sau strângere).
- Inelul suport nu este strâns corespunzător.
- Montură a amortizorului defectă sau incorect instalată.

Dacă unitatea are scurgeri de neetanșeitate pe la cotul de deșeuri, scurgerea se poate datora unei strângeri incorecte a șuruburilor flanșei cotului.



## CURĂȚARE ȘI ÎNTREȚINERE

### NU ÎNCERCAȚI SĂ LUBRIFIAȚI TOCĂTORUL!

Motorul este lubrifiat permanent. Tocătorul este cu auto-curățire și freacă piesele sale interne la fiecare utilizare. **Niciodată** nu puneți în tocător sodă caustică sau agenți chimici de curățare a scurgerilor la canalizare, ca de exemplu acid clorhidric și acid muriatic, produse pentru deblocarea scurgerii la canalizare a chiuvetei, deoarece pot cauza corodarea serioasă a pieselor metalice.

Dacă se folosesc, deteriorările rezultate sunt ușor de identificat și toate garanțiile se anulează.. Se pot forma depuneri minerale din apa dumneavoastră pe masa rotativă din oțel inoxidabil, dând aspectul de rugină. **Nu vă alarmați**, mesele rotative din oțel inoxidabil nu vor coroda.

## RECICLARE



Simbolul existent pe produs sau pe ambalajul acestuia indică faptul că dispozitivul nu poate fi reciclat ca rest menajer.

Prin reciclarea corespunzătoare a dispozitivului preveniți orice consecință dăunătoare asupra mediului înconjurător și sănătății.

Informații suplimentare privind reciclarea dispozitivului pot fi furnizate de către autoritățile competente, serviciul local de reciclare sau de către furnizorul dispozitivului.

- ▷ Debarasarea dispozitivului, care urmează să fie aruncat, se va face printr-un punct de colectarea deșeurilor specializat în aparate electronice și electrice.

În conformitate cu prevederile Decretului nr. 15 din 25 iulie de implementare a Directivelor, 2002/96/CE cu privire la reducerea substanțelor periculoase utilizate în aparatura electrică și electronică și la debarasarea resturilor”.

Simbolul de pe aparat, reprezentând un coș de gunoi barbat, indică faptul că, la sfârșitul vieții sale utile, produsul nu poate fi eliminat ca rest menajer. În consecință, atunci când produsul a ajuns la finalul vieții sale utile, utilizatorul trebuie să-l predea unui centru corespunzător de reciclare a resturilor electrice și electronice.

Colectarea corespunzătoare și separată a deșeurilor aparatelor casate pentru reciclare, tratament și reciclare ecologică ajută la prevenirea efectelor negative asupra mediului înconjurător și asupra sănătății și facilitează reciclarea materialelor utilizate la fabricarea aparatelor.

Dispozitivul de eliminare a deșeurilor alimentare este numai pentru uz casnic.

## СОДЕРЖАНИЕ

---


Об этой инструкции	111
Назначение устройства	111
Информация о безопасности	112
Компоненты сборного узла	113
Демонтаж старого измельчителя	114
Монтаж сантехники	115
Монтаж сборного узла	115
Электрическое соединение	117
Присоединение сливного коленчатого патрубка	117
Прибор с воздушным выключателем	118
Инструкции по применению	119
Непрерывная подача	119
Порционная подача	119
Поиск и устранение неисправностей	120
Очистка и обслуживание	121
Утилизация	122

## ОБ ЭТОЙ ИНСТРУКЦИИ

Эта инструкция пользователя применяется к нескольким моделям устройств. Поэтому некоторые из описанных возможностей и функций могут быть недоступны в конкретной модели.

Компания FRANKE сохраняет за собой право на внесение изменений в изделие без предварительного уведомления. Вся приведенная здесь информация действительна на момент выпуска документа.

- ▶ Сохраните эту инструкцию пользователя.
- ▶ Используйте устройство, описанное в этой инструкции, исключительно по назначению.

Символ	Значение
	Символ предупреждения. Предупреждение о рисках получения травм.
▷	Действия, которые указываются в примечаниях по безопасности и предупреждениях и позволяют избежать травм и повреждений.
▶	Шаг действия. Указывает на действие, которое необходимо выполнить.
■	Результат. Результат одного или нескольких шагов действий.
✓	Условие, которое необходимо выполнить, прежде чем перейти к следующему действию.

## НАЗНАЧЕНИЕ УСТРОЙСТВА

Измельчитель пищевых отходов — это электрическое устройство, монтируемое под мойку, для разрезания пищевых отходов на мелкие куски.

Убедитесь, что установка измельчителя пищевых отходов разрешена местными властями.

- ▷ Используйте измельчитель только для пищевых отходов.

## ИНФОРМАЦИЯ О БЕЗОПАСНОСТИ

ИНСТРУКЦИИ ПО ПРЕДОТВРАЩЕНИЮ ПОЖАРА, ПОРАЖЕНИЯ ЭЛЕКТРИЧЕСКИМ ТОКОМ ИЛИ СИТУАЦИЙ, МОГУЩИХ НАНЕСТИ ВРЕД ЗДОРОВЬЮ.



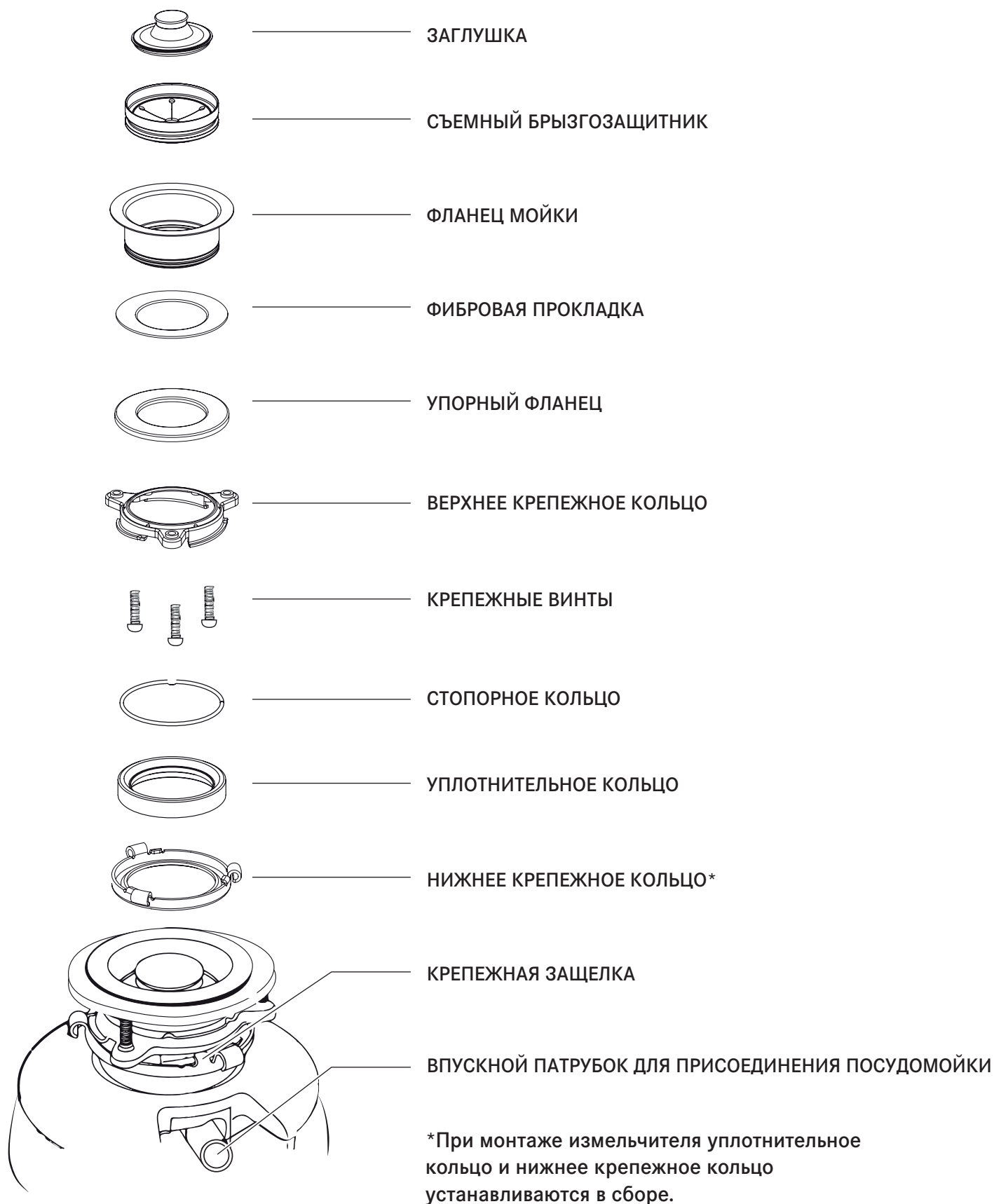
**ПРЕДУПРЕЖДЕНИЕ:** При использовании электрических приборов всегда соблюдайте общие меры предосторожности, некоторые из которых приведены ниже:

- ▷ Прежде чем пользоваться прибором, изучите все инструкции.
- ▷ Внимательно следите за использованием прибора в присутствии детей, чтобы уменьшить риск получения травм.
- ▷ Не суйте пальцы или руки в измельчитель.
- ▷ Прежде чем устранять засор или извлекать застрявший предмет, отключите измельчитель от сети электропитания.
- ▷ Для устранения засора в измельчителе используйте длинный деревянный предмет, например деревянную ложку или деревянную ручку от метлы или швабры.
- ▷ Для извлечения предметов из измельчителя используйте щипцы с длинными рукоятками. Если измельчитель запускается с помощью электромагнитного выключателя, используйте немагнитные инструменты.
- ▷ Попадание следующих веществ, материалов и предметов в измельчитель может привести к получению травм вследствие выбрасывания:
  - раковины устриц и прочих моллюсков;
  - щелочные очистители сливных труб или аналогичные вещества; стекло, керамика или пластмасса; крупные цельные кости; металлические изделия, например колпачки от бутылок, жестяные банки, алюминиевая фольга или столовые приборы; горячий жир и прочие горячие жидкости; цельные кукурузные початки.
- ▷ Не вынимайте заглушку, если не используете измельчитель пищевых отходов — это уменьшит вероятность попадания посторонних предметов внутрь.
- ▷ **ЗАПРЕЩАЕТСЯ** использовать измельчитель пищевых отходов без брызгозащитника.
- ▷ Инструкции по заземлению представлены в разделе «ЭЛЕКТРИЧЕСКИЕ СОЕДИНЕНИЯ» данного руководства.
- ▷ **Измельчитель пищевых отходов предназначен для работы исключительно в сетях с напряжением ~220–240 В и частотой 50/60 Гц. Работа в сетях с другим напряжением или другой частотой может отрицательно сказаться на эксплуатационных качествах.**

Данный прибор следует подключать к розетке, управляемой выключателем.



## КОМПОНЕНТЫ СБОРНОГО УЗЛА



## ДЕМОНТАЖ СТАРОГО ИЗМЕЛЬЧИТЕЛЯ

НИЖЕ ПРИВОДЯТСЯ ТИПОВЫЕ ИНСТРУКЦИИ; ВОЗМОЖНЫ РАСХОЖДЕНИЯ В ЗАВИСИМОСТИ ОТ МОДЕЛИ.

- ▷ Перед началом работ **необходимо отключить подачу электропитания** с помощью автоматического выключателя или плавкого предохранителя на электрощите.
- ▷ **Отсоедините измельчитель от электросети**

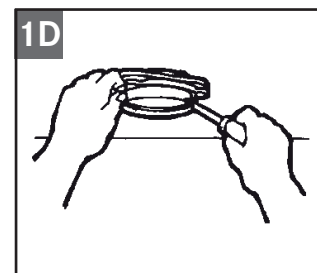
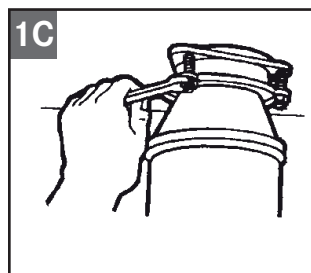
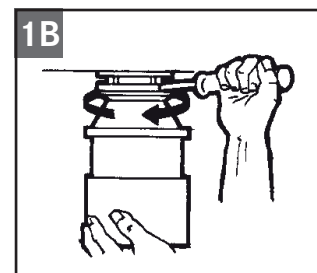
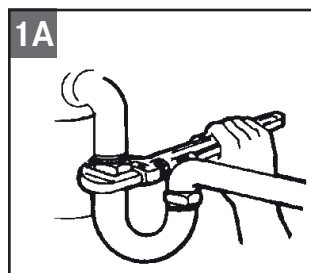
При установке измельчителя той же модели выполните инструкции по сборке, представленные в разделе МОНТАЖ СБОРНОГО УЗЛА, в обратном порядке. При установке новой системы следуйте указанным ниже инструкциям:

- ▶ Приготовьте тару для слива воды и (или) улавливания отходов из установленного измельчителя.
- ▶ С помощью трубного ключа отсоедините сливную трубу в месте ее соединения с коленчатым переходником (рис. 1А).
- ▶ Отсоедините измельчитель от фланца мойки, поворачивая крепежное кольцо по часовой стрелке (рис. 1В). Если повернуть крепежное кольцо не получается, постучите по одному из выступов кольца молотком. В состав некоторых сборных узлов могут входить трубные удлинители. Вставив отвертку в трубу, можно получить дополнительный рычаг для поворачивания крепежного кольца (рис. 1В). На некоторых моделях измельчителя крепежные винты снабжены гайками, которые потребуются снять или ослабить (рис. 1С). На некоторых моделях измельчителя потребуются снять хомут

**ВНИМАНИЕ:** Выполняя данное действие, поддерживайте измельчитель, чтобы предотвратить его падение во время отсоединения крепежного кольца от сборного узла.

- ▶ Чтобы отсоединить оставшиеся компоненты сборного узла от мойки, ослабьте винты и протолкните крепежное кольцо вверх. Под ним находится стопорное кольцо. Снимите кольцо с помощью отвертки (рис. 1D). Снимите крепежное кольцо, стопорное кольцо и прокладку с фланца мойки. При разборке некоторых сборных узлов необходимо отпустить большую гайку, которая фиксирует фланец мойки. Протолкните фланец вверх через мойку и удалите старую замазку из мойки.
- ▶ Убедитесь, что мойка чистая и полностью сухая.

**ВАЖНО:** На этом этапе перед установкой нового измельчителя рекомендуется прочистить затвор и сливные трубы с помощью сантехнического троса.

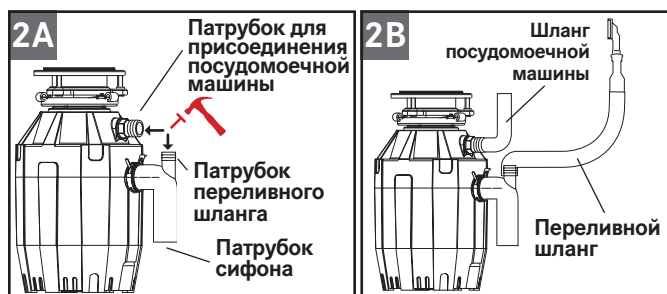


## МОНТАЖ САНТЕХНИКИ

Если присоединение посудомоечной машины и (или) переливной трубы не требуется, перейдите к следующему разделу.

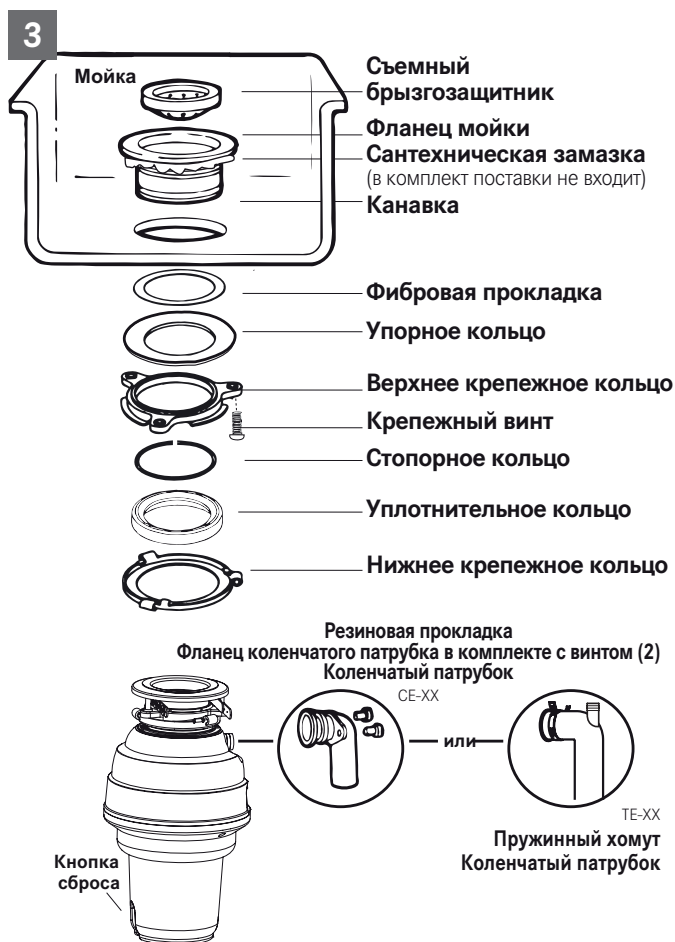
Посудомоечную машину желательно присоединять непосредственно к соответствующему патрубку сифона. Если в сифоне не предусмотрен патрубок для присоединения посудомоечной машины, выполните указанные ниже процедуры:

- ▶ Тупым предметом (стальным кернером или деревянной шпонкой) полностью выбейте заглушку (рис. 2А). Не используйте отвертку или острый предмет (если выбитая заглушка попадет внутрь измельчителя, ее можно извлечь или разрезать при запуске измельчителя. Это не повредит измельчитель, однако займет некоторое время).



- ▶ Присоедините переливной шланг (рис. 2В) с помощью хомута. Если диаметр шланга отличается, следует использовать резиновый переходник.
- ▶ Присоедините шланг посудомоечной машины (рис. 2В) с помощью хомута. Убедитесь, что сантехнические изделия надежно закреплены и отвечают всем нормам и правилам по водоснабжению и канализации зданий. Откройте кран, чтобы убедиться в отсутствии утечек.

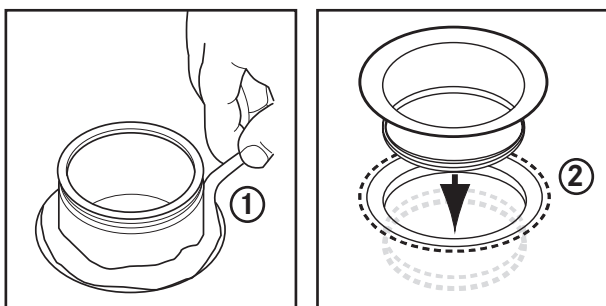
## МОНТАЖ СБОРНОГО УЗЛА



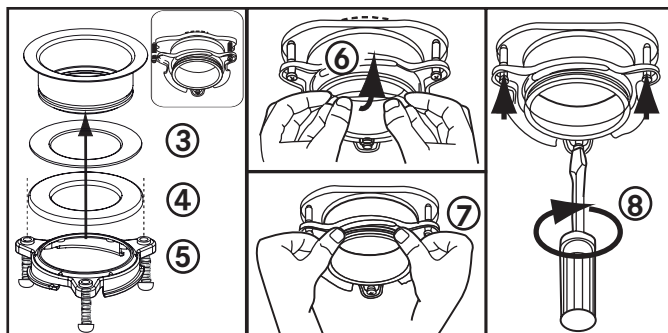
**ПРИМЕЧАНИЕ:** Компоненты сборного узла поставляются в собранном виде. Они монтируются на мойку в том же порядке, поэтому перед их разборкой следует учесть порядок сборки компонентов.

- ▶ При монтаже измельчителя уплотнительное кольцо и нижнее крепежное кольцо устанавливаются в сборе. Разберите остальные компоненты сборного узла, повернув нижнее крепежное кольцо по часовой стрелке так, чтобы защелки нижнего крепежного кольца соскочили со скоса верхнего монтажного кольца. После этого можно будет разъединить верхнюю и нижнюю части узла.
- ▶ Отвинтите три крепежных винта так, чтобы можно было расположить верхнее крепежное кольцо поверх упорного кольца. Снимите стопорное кольцо отверткой.

- ▶ Прочие компоненты следует держать вместе в порядке их разборки. Перед присоединением измельчителя к сборному узлу под мойкой убедитесь, что нижнее крепежное кольцо на месте, а черное уплотнительное кольцо по-прежнему плотно сидит в верхней части отверстия измельчителя (не вынимайте уплотнительное кольцо).
- ▶ Убедитесь, что мойка чистая. Нанесите каплю сантехнической замазки на фланец мойки (1). Из верхней части мойки протолкните фланец мойки вниз, прижав к сливному отверстию, чтобы обеспечить надежное уплотнение (2). **Не двигайте и не поворачивайте** фланец мойки после посадки, чтобы не нарушить уплотнение.

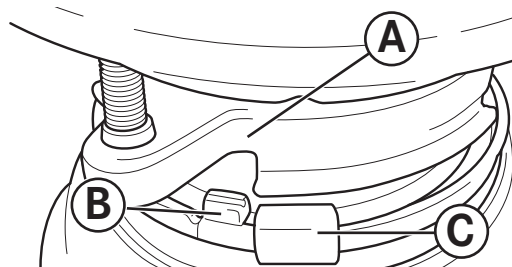


- ▶ Прижмите фланец мойки сверху тяжелым предметом, например измельчителем (подложите полотенце, чтобы не поцарапать мойку).
- ▶ Возьмите оставшуюся часть отложенного сборного узла. Снизу мойки вставьте фибровую прокладку (3), затем упорный фланец (4), а после этого верхнее крепежное кольцо (5).
- ▶ Удерживая вместе данные компоненты, присоедините стопорное кольцо (6), раздвинув его в стороны и уставив на фланец мойки (7) так, чтобы оно зафиксировалось в канавке фланца мойки (7).

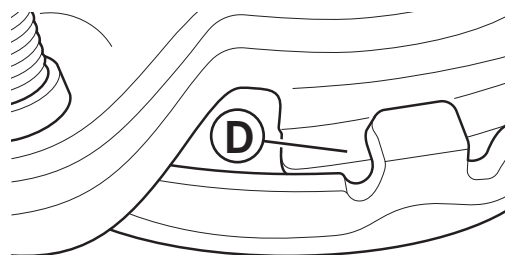


- ▶ Равномерно затяните три крепежных винта, плотно прижав их к упорному фланцу (8). Не затягивайте слишком туго.
- ▶ Уберите излишки сантехнической замазки.

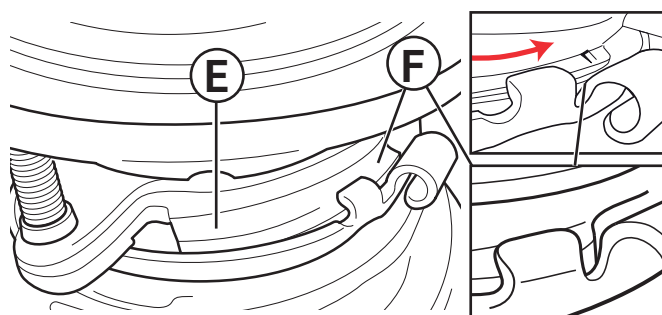
- ▶ Присоедините измельчитель к верхнему крепежному кольцу, совместив три крепежные защелки на нижнем крепежном кольце со скосами на верхнем крепежном кольце и повернув против часовой стрелки.



- ▶ На нижнем крепежном кольце (расположенном на измельчителе) имеются три защелки, которые прижимаются к скосам крепежного кольца. (A) указывает на верхнее крепежное кольцо. (B) это защелка, которая скользит по скосу. (C) это ушко, которое позволяет повернуть нижнее крепежное кольцо.
- ▶ При необходимости используйте отвертку в качестве рычага.



- ▶ Поднимите и поверните нижнее крепежное кольцо против часовой стрелки так, чтобы все три крепежные защелки зафиксировались по краям (F) скосов (D) на верхнем крепежном кольце.



- ▶ При повороте нижнего крепежного кольца против часовой стрелки каждая защелка устанавливается на скосе верхнего крепежного кольца (E) и фиксируется по краям (F).
- ▶ При необходимости используйте отвертку или молоток в качестве рычага.
- ▶ Для демонтажа измельчителя постучите по ушку в направлении вращения по часовой стрелке, чтобы быстро ослабить нижнее крепежное кольцо.

## Электрическое соединение

- ▷ Измельчитель следует подключать только к сети, которая соответствует номинальным характеристикам прибора.

Данный прибор следует подключать к розетке, управляемой выключателем.

**⚠ ПРЕДУПРЕЖДЕНИЕ:** Неправильное присоединение заземляющего провода может привести к **поражению электрическим током**. Если вы не уверены в **правильности заземления**, обратитесь за советом к квалифицированному электрику или специалисту по ремонту. Если входящая в комплект поставки штепсельная вилка не подходит к розетке, не изменяйте ее конструкцию. Обратитесь к квалифицированному электрику для **установки подходящей розетки**.

### Инструкции по заземлению

ИЗМЕЛЬЧИТЕЛИ, ШНУР ПИТАНИЯ КОТОРЫХ ОСНАЩЕН ВИЛКОЙ С ЗАЗЕМЛЯЮЩИМ КОНТАКТОМ

- ▷ Данный прибор должен быть заземлен. В случае неисправности или поломки заземление создаст путь наименьшего сопротивления, по которому протечет ток, уменьшив опасность поражения. В данном приборе используется шнур с заземляющим проводом, а также вилка с заземляющим контактом.
- ▷ Вилку необходимо подключить к розетке, установленной и заземленной в соответствии со всеми местными правилами и нормами.
- ▷ Во избежание рисков замену шнура питания в случае его повреждения должен осуществлять производитель, его сервисный представитель или иной квалифицированный специалист.

**Удаление присоединенного шнура питания или штепсельной вилки ведет к прекращению действия гарантии.**

## Присоединение сливного коленчатого патрубка

МОДЕЛИ CE-50, CE-75, TE-75S

- ▶ Присоедините сливной коленчатый патрубок к измельчителю, прижав фланец к резиновой прокладке на коленчатом патрубке и затянув винты на измельчителе (рис. 4А). Затем присоедините нижнюю часть коленчатого патрубка, затянув накидную гайку (рис. 4В). При использовании прямой трубы ее кромка должна соответствовать кромке на коленчатом патрубке. Снимите прокладку с коленчатого

патрубка и установите ее на прямую трубу так, чтобы плоская сторона прокладки была направлена в сторону сливного отверстия измельчителя.



Если необходимо присоединить посудомоечную машину, вернитесь к разделу МОНТАЖ САНТЕХНИКИ (2А-В). В противном случае убедитесь, что сантехнические изделия надежно закреплены и отвечают всем нормам и правилам по водоснабжению и канализации. Откройте кран, чтобы убедиться в отсутствии утечек.

МОДЕЛИ TE-50, TE-75, TE-125, TE-125BF

- ▶ Надавите на лапки пружинного хомута, чтобы снять его с резиновой втулки. Переместите пружинный хомут по гладкой поверхности коленчатого патрубка в сторону кромки коленчатого патрубка (рис. 4С).
- ▶ Вставьте сливной коленчатый патрубок в резиновую втулку так, чтобы кромка коленчатого патрубка вошла в канавку, расположенную внутри резиновой втулки. Установите пружинный хомут на резиновую втулку и закрепите его (рис. 4D). При использовании прямой трубы кромка должна соответствовать кромке на коленчатом патрубке, который поставляется вместе с измельчителем.



- ▶ Если необходимо присоединить посудомоечную машину, вернитесь к разделу МОНТАЖ САНТЕХНИКИ (2А-В). В противном случае убедитесь, что сантехнические изделия надежно закреплены и отвечают всем нормам и правилам по водоснабжению и канализации. Откройте кран, чтобы убедиться в отсутствии утечек.

## Прибор с воздушным выключателем

### Воздушный выключатель измельчителя в сборе

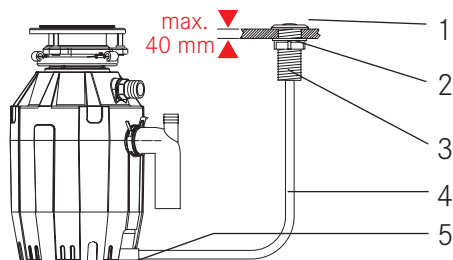
Выключатель, в т. ч.:

1. Кнопка выключателя
2. Гайка выключателя
3. Выпускной патрубок выключателя (резьбовая часть)

Кожух датчика воздушного выключателя, устанавливаемого в измельчителе. Снаружи измельчителя видно только сопло воздушной трубки.

УЗЕЛ ВОЗДУШНОЙ трубки, в т. ч.:

4. Воздушная трубка, прозрачная или черная
5. Гайка воздушной трубки



5

### Инструкции по установке и эксплуатации

- ▶ Просверлите на мойке или столешнице отверстие (если оно отсутствует) диаметром от 35 до 40 мм под кнопку выключателя (1).
- ▶ Просуньте выпускной патрубок выключателя сверху в просверленное отверстие.

- ▶ Наверните гайку выключателя (2) на выпускной патрубок выключателя (3) и туго затяните вручную.
- ▶ С помощью воздушной трубки плотно соедините выпускной патрубок выключателя (3) с впускным патрубком датчика. Подключите штепсельную вилку шнура питания к розетке.
- ▶ Включите измельчитель, нажав кнопку выключателя (1). Для выключения повторно нажмите кнопку выключателя. .

### Рекомендации

- ▶ Перед использованием посудомоечной машины убедитесь, что измельчитель пустой, чтобы вода из машины сливалась должным образом.
- ▶ Не вынимайте заглушку из сливного отверстия мойки, чтобы предотвратить попадание столовых приборов и посторонних предметов в измельчитель.
- ▶ Надежная конструкция измельчителя обеспечит длительный срок безотказной службы. Его можно использовать для измельчения любых обычных пищевых отходов, однако он НЕ предназначен для разрезания и утилизации пластмассовых предметов, жестяных банок, бутылочных крышек, стекла, керамики, кожи, ткани, резины, веревок, раковин устриц и прочих моллюсков, алюминиевой фольги или перьев.

## ИНСТРУКЦИИ ПО ПРИМЕНЕНИЮ

Измельчитель работает в режиме непрерывной подачи, если только вы не приобрели модель с порционной подачей.

### Непрерывная подача

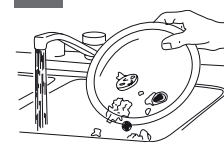
Поворотные лопасти с защитой от заклинивания издают щелчки при первой установке. Это свидетельствует о нормальной работе.

- ▶ Выньте заглушку из мойки. Включите холодную воду со средним напором.
- ▶ Переведите выключатель в положение ВКЛ. Привод начнет работать на полных оборотах, что означает готовность к использованию.
- ▶ Бросьте пищевые отходы. В сливное отверстие можно бросать столовые отходы, очистки, кожуру, семена, косточки, небольшие кости, кофейную гущу. Чтобы ускорить процесс измельчения пищевых отходов, разрежьте или сломайте крупные кости, кожуру или початки. Для измельчения крупных костей и волокнистых оболочек требуется длительное время, поэтому их проще выбросить с прочим мусором. Измельчитель может замедляться во время работы. Это означает, что измельчитель повышает крутящий момент (мощность измельчения) и функционирует в обычном режиме.
- ▶ Перед выключением измельчителя дайте ему поработать 15 секунд, не выключая воду. Это позволит слить все отходы из сифона в канализацию.
- ▶ При работе измельчителя не рекомендуется подавать горячую воду. В холодной воде жиры и прочие отходы сохраняют твердое состояние, что позволяет измельчителю смыть частицы.

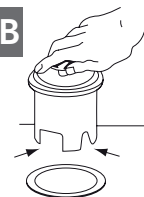
### Порционная подача

- ▶ Выньте заглушку из мойки. Включите холодную воду со средним напором.
- ▶ Бросьте пищевые отходы. В сливное отверстие можно бросать столовые отходы, овощные очистки, початки, кожуру, косточки, кости и кофейную гущу (рис. 6А).
- ▶ Вставьте заглушку для пуска измельчителя (рис. 6В). Необходимо совместить один из двух небольших пазов в основании заглушки с плунжером выключателя в горловине измельчителя. Плотно прижмите заглушку, чтобы включить измельчитель. Поднимите заглушку, чтобы выключить измельчитель.
- ▶ После прекращения измельчения дайте измельчителю поработать 15 секунд. Это позволит слить все отходы в канализацию.
- ▶ Для заполнения мойки вставьте заглушку, совместив самый большой паз с плунжером выключателя (рис. 6С). Прижмите заглушку, чтобы заткнуть мойку без запуска измельчителя. Если совместить средний паз (рис. 6В) в основании заглушки с плунжером выключателя, то вода будет сливаться, но попадание столовых приборов и т. п. предметов в измельчитель будет исключено.

6А



6В



6С



### ВНИМАНИЕ

- ▷ Рекомендуется использовать холодную воду.
- ▷ Не используйте измельчитель пищевых отходов для разрезания твердых материалов, например стекла или металла.
- ▷ Выключите прибор или отсоедините его от электросети, прежде чем высвободить заклинивший поворотный круг деревянной ложкой.

**ЧТО ЗАПРЕЩАЕТСЯ ПОМЕЩАТЬ В ПРИБОР:**

- Каустическую соду и химические средства для прочистки сливных труб (соляную кислоту), поскольку они вызывают сильную коррозию металлических компонентов. Такие средства оставляют хорошо заметные повреждения, обнаружение которых ведет к аннулированию всех гарантийных обязательств
- Большое количество жира и масла
- Пластмассовые предметы
- Тыкву
- Банановую кожуру
- Листья ананаса
- Спаржа
- Артишок
- Раковины (например, устриц, мидий и т. д.)
- Лекарственные препараты
- Металлические изделия (колпачки бутылок)
- Куски пластмассы
- Говяжьи и (или) прочие крупные кост

**ЧТО РАЗРЕШАЕТСЯ ПОМЕЩАТЬ В ПРИБОР:**

- Кукурузные початки
- Небольшие кости (например, куриные и кроличьи)
- Скорлупу от орехов
- Мясные обрезки
- Корки дыни, арбуза
- Фруктовые косточки
- Виноградные косточки
- Рис
- Кофейную гущу
- Яичную скорлупу
- Рыбные кости
- Рыбные головы
- Макароны изделия
- Овощи и овощные очистки
- Сыр
- Хлеб
- Суп

## ПОИСК И УСТРАНЕНИЕ НЕИСПРАВНОСТЕЙ

---

Перед ремонтом или заменой компонентов рекомендуется изучить представленную ниже информацию

**ГРОМКИЙ ШУМ** (отличающийся от шума во время измельчения мелких костей и фруктовых косточек), как правило, вызывается случайным попаданием в измельчитель ложки, бутылочного колпачка или иного постороннего предмета.

- ▶ Чтобы устранить эту проблему, отключите электропитание и подачу воды после остановки измельчителя.

**ПРИБОР НЕ ЗАПУСКАЕТСЯ:**

- ▶ В зависимости от модели прибора и способа подсоединения, отсоедините шнур питания или переведите настенный выключатель либо автоматический выключатель на электрощите в положение ВЫКЛ.

- ▶ Извлеките заглушку и (или) брызгозащитник. С помощью деревянной ручки швабры проверьте вращение поворотного круга. Если поворотный круг вращается свободно, установите брызгозащитник обратно и проверьте срабатывание кнопки сброса. Кнопка сброса красного цвета расположена напротив сливного коленчатого патрубка в нижней части (рис. 3). Нажмите на кнопку так, чтобы прозвучал щелчок, а кнопка зафиксировалась..
- ▶ Если кнопка не сработала, проверьте проводку измельчителя на наличие короткого замыкания или обрыва цепи. Проверьте выключатель электропитания, предохранитель на электрощите или автоматический выключатель. Если проводка и электрические компоненты не повреждены, то возможно наличие внутренней неисправности устройства, которая потребует ремонта или замены.



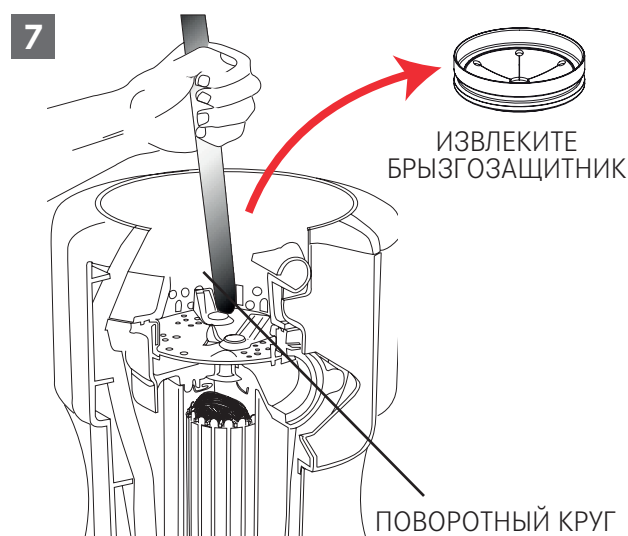
**ВРАЩЕНИЕ ПОВОРОТНОГО КРУГА ЗАТРУДНЕНО:**

- ▶ Выключите измельчитель и проверьте, нет ли посторонних предметов между поворотным кругом и измельчающим кольцом. Поверните круг деревянной ручкой швабры, чтобы сместить и извлечь предмет (рис. 7). Если посторонних предметов нет, причиной проблемы могут быть внутренние неисправности.

**УТЕЧКИ** Утечки в верхней части могут быть вызваны:

- неправильной посадкой фланца мойки (центрирование прокладки, замазка или затяжка);
- неправильной затяжкой упорного фланца;
- дефектом или неправильной установкой уплотнительного кольца.

Утечка из сливного коленчатого патрубка может быть вызвана неправильной затяжкой винтов на фланце коленчатого патрубка.



## ОЧИСТКА И ОБСЛУЖИВАНИЕ

### НЕ СМАЗЫВАЙТЕ ИЗМЕЛЬЧИТЕЛЬ!

Привод не требует смазывания. Измельчитель производит очистку и промывку внутренних компонентов при каждом использовании.

**Запрещается** лить в измельчитель каустическую соду и химические средства для прочистки сливных труб, например соляную кислоту, и средства для удаления засоров, поскольку они вызывают сильную коррозию металлических компонентов.

Такие средства оставляют хорошо заметные повреждения, обнаружение которых ведет к аннулированию всех гарантийных обязательств. На нержавеющей стали поворотного круга могут образовываться минеральные отложения от воды, которые похожи на ржавчину. **Не** беспокойтесь! Нержавеющая сталь поворотных кругов не подвержена коррозии.

## УТИЛИЗАЦИЯ

---



Этот символ, указанный на изделии или упаковке, означает, что устройство нельзя утилизировать как бытовые отходы.

Правильно утилизируя устройство, вы помогаете избежать негативных последствий для окружающей среды и здоровья.

Дальнейшую информацию о вторичном использовании устройства можно получить у компетентных органов, местной службы утилизации отходов или у продавца устройства.

- ▷ Для утилизации устройство необходимо отнести в специальный пункт сбора электронных и электрических устройств.

В соответствии со статьей законодательного акта № 15 от 25 июля в рамках директив 2002/96/ЕС относительно сокращения опасных веществ, используемых в электрических и электронных устройствах, и утилизации отходов.

Символ с перечеркнутой корзиной для мусора указывает на то, что после прекращения использования изделия его нельзя выбрасывать как бытовые отходы.

Поэтому, когда завершится срок эксплуатации устройства, потребителю необходимо отнести его в соответствующий центр вторичного использования электронных и электрических отходов или вернуть дилеру при покупке нового устройства эквивалентного типа.

Надлежащая экологичная утилизация устройства в соответствии с правилами раздельного сбора отходов для последующей вторичной переработки помогает предотвратить возможные негативные последствия для окружающей среды и здоровья людей, а также упрощает вторичное использование материалов устройства.

Утилизация пищевых отходов предназначена только для домашнего использования.

# İÇİNDEKİLER

---

Bu kılavuz hakkında	124
Kullanım amacı	124
Güvenlik bilgileri	124
Montaj parçaları	125
Eski ünitenin çıkarılması	126
Tesisat bağlantısı	126
Montaj tertibatının takılması	127
Elektrik bağlantısı	128
Deşarj dirseğini takma	129
Hava şalteri kumandalı	129
Kullanım talimatları	130
Sürekli besleme	130
Toplu besleme	130
Sorun giderme	131
Temizlik ve bakım	132
Elden çıkarma	132

## BU KILAVUZ HAKKINDA

Bu kullanım kılavuzu ürünün çeşitli modelleri için geçerlidir. Dolayısıyla açıklanan özellik ve fonksiyonların bazıları sahip olduğunuz üründe bulunmayabilir.

FRANKE önceden bildirimde bulunmadan değişiklik yapma hakkını saklı tutar. Tüm bilgiler yayınlanma tarihinde doğrudur.

- ▶ Kullanım kılavuzunu saklayın.
- ▶ Bu kullanım kılavuzunda açıklanan ürünü sadece kullanım amacına uygun şekilde kullanmayın.

### Sembol Anlamı



Uyarı sembolü. Yaralanma risklerine karşı uyarı.

- ▷ Yaralanma veya hasardan kaçınmak için güvenlik ve uyarı notlarında belirtilen eylemler.

- ▶ Eylem basamağı. Yapılması gereken bir eylemi belirtir.

- Sonuç. Bir veya birden fazla eylem basamağının sonucu.

- ✓ Sonraki eylem gerçekleştirilmeden önce yerine getirilmesi gereken ön koşul.

## KULLANIM AMACI

Gıda atığı öğütücüsü, gıda atığının parçalara ayrılması için lavabonun altına kurulacak bir elektrikli

cihazdır. Yetkili makamların atık öğütücü makinesinin kurulmasına izin verdiğinden emin olun.

- ▷ Atık öğütücüyü yalnızca gıda atığı için kullanın.

## GÜVENLİK BİLGİLERİ

YANGIN, ELEKTRİK ÇARPMASI VEYA KİŞİLERİN YARALANMASI RİSKİYLE İLGİLİ TALİMATLAR.



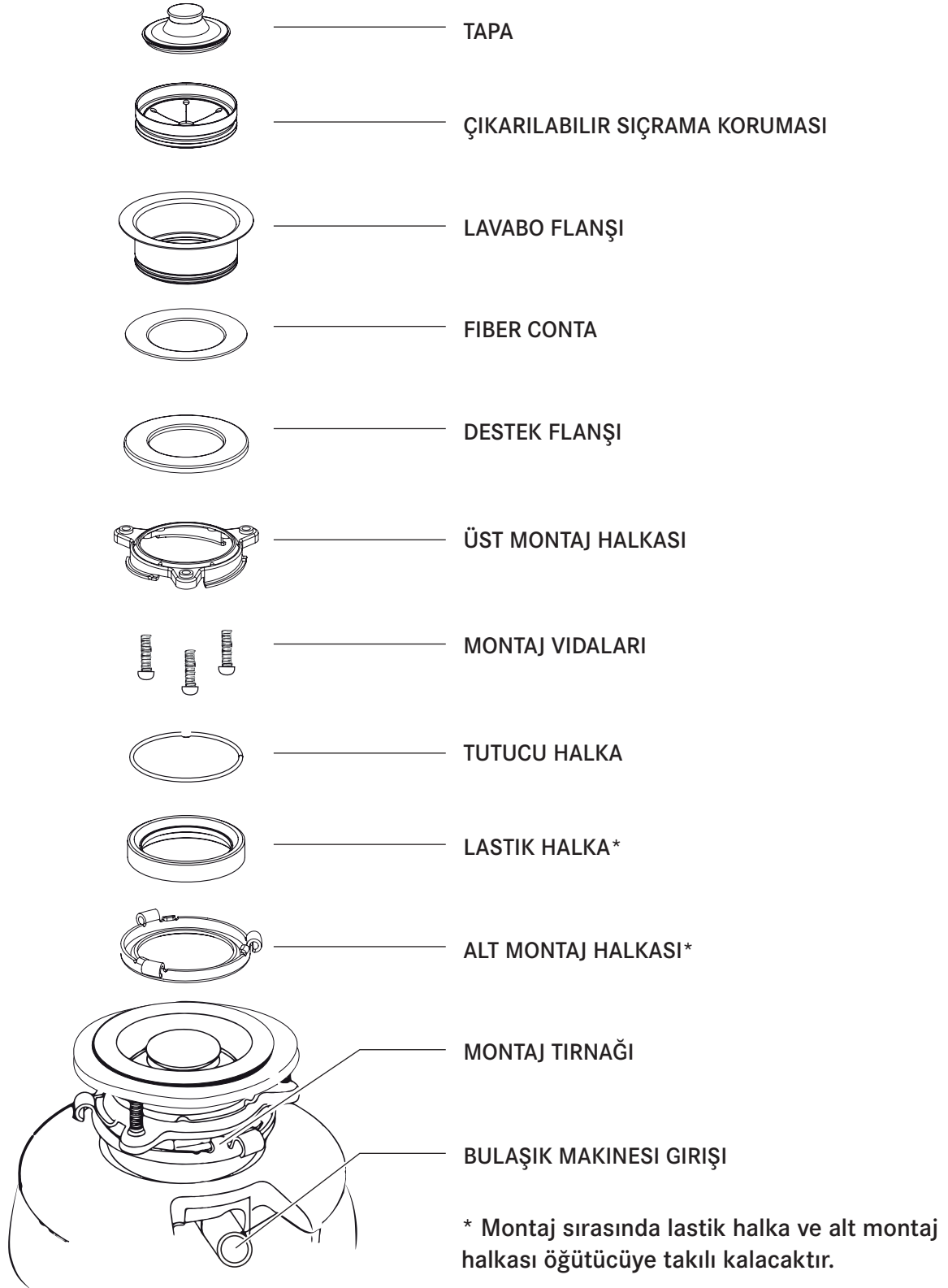
**UYARI:** Elektrikli cihazları kullanırken, aşağıdakiler de dahil olmak üzere temel önlemler her zaman takip edilmelidir:

- ▷ Cihazı kullanmadan önce tüm talimatları okuyun.
- ▷ Yaralanma riskini azaltmak için, bir cihaz çocukların yanında kullanıldığında yakın gözetim gereklidir.
- ▷ Bir atık öğütücü etrafına parmak veya el sokmayın.
- ▷ Bir sıkışmayı gidermeye veya öğütücüden bir cismi çıkarmaya çalışmadan önce güç şalterini kapalı konuma getirin.
- ▷ Atık öğütücü civarında bir sıkışmayı gidermeye çalışırken, ağaç kaşık ya da süpürge veya paspasın ahşap sapı gibi uzun bir tahta nesneyi kullanın.
- ▷ Cisimleri öğütücüden çıkarmaya çalışırken uzun saplı maşa veya pense kullanın. Öğütücü manyetik olarak tahrik edilmişse, manyetik olmayan aletler kullanılmalıdır.

- ▷ Bir atık öğütücü tarafından atılabilecek materyallere bağlı yaralanma riskini azaltmak için aşağıdakileri bir öğütücü içine atmayın: istiridye veya istiridye kabukları; kostik drenaj temizleyicileri veya benzeri ürünler; cam, porselen veya plastik; büyük bütün kemikler; şişe kapakları, teneke kutular, alüminyum folyo veya mutfak eşyaları gibi metaller; sıcak yağ veya diğer sıcak sıvılar; bütün mısır kabukları.
- ▷ Bir öğütücüyü kullanmadığınızda, öğütücüye cisimlerin düşme riskini azaltmak için tapayı yerinde bırakın.
- ▷ Sıçrama koruması yerinde olmadıkça öğütücüyü KULLANMAYIN.
- ▷ Doğru topraklama talimatları için bu kılavuzun ELEKTRİK BAĞLANTILARI bölümüne bakın.
- ▷ **Bu Gıda Atığı Öğütücü, sadece 220-240V~, 50/60 Hz'de çalışacak şekilde tasarlanmıştır. Diğer voltaj veya Hz değerlerinin kullanılması performansı olumsuz olarak etkiler.**

Bu cihazın bağlı olduğu prize bir şalter ile kumanda edilmelidir.

## MONTAJ PARÇALARI



## ESKİ ÜNİTENİN ÇIKARILMASI

TIPIK TALIMATLAR, MODELİNİZE GÖRE DEĞİŞEBİLİR.

- ▷ Bu adımı başlatmadan önce, devre kesici veya sigorta kutusunda elektriği kesin.
- ▷ **Öğütücünün fişini çıkarın.**

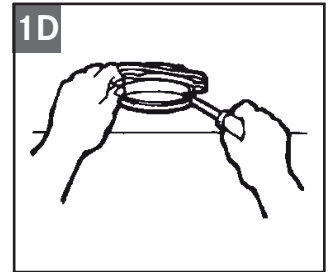
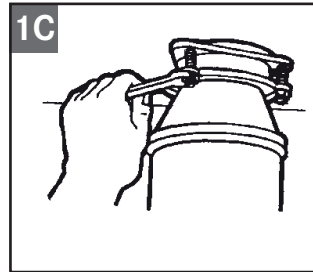
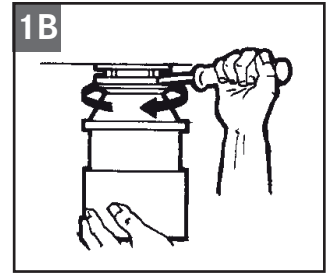
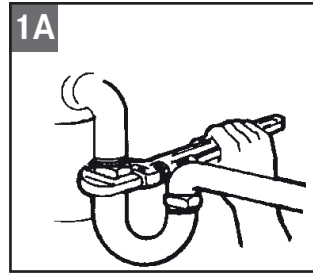
Eski bağlantınız yeni öğütücünüzdeki bağlantı ile aynı tipse, montaj tertibatının Kurulumunda yer alan montaj talimatlarını tersinden uygulamanız yeterlidir. Yeni bağlantı sisteminiz farklıysa şu talimatları izleyin:

- ▶ Mevcut öğütücünden gelen fazla su / atığı yakalamak için bir kab bulundurun.
- ▶ Öğütücü boşaltma dirseğinin drenaj hattı bağlantısını ayırmak için bir boru anahtarı kullanın (şekil 1A).
- ▶ Montaj halkasını saat yönünde sola döndürerek öğütücüyü lavabo flanşından çıkarın (şekil 1B). Montaj halkasını döndüremiyorsanız, bir çekiçle halkadaki uzantılardan birine hafifçe vurun. Bazı montaj sistemleri boru biçimli uzantılara sahiptir. Tek bir boru parçaya bir tornavida sokmak, montaj halkasını döndürmek için ek bir kaldıraç sağlayacaktır (şekil 1B). Bazı öğütücüler, montaj vidalarındaki somunların sökülmesini veya gevşetilmesini gerektirebilir (şekil 1C). Bazı öğütücüler bir kelepçenin çıkarılmasını gerektirebilir.

**DİKKAT:** Bu adımı gerçekleştirirken öğütücüyü desteklediğinizden emin olun, aksi takdirde montaj halkası montaj grubundan ayrıldığında düşebilir.

- ▶ Kalan montaj sistemini lavabodan çıkarmak için vidaları gevşetin ve montaj halkasını yukarı itin. Altında halka segman vardır. Halkayı çıkarmak için tornavida kullanın (şekil 1D). Montaj halkasını, koruyucu halkayı ve contayı lavabo flanşından çıkarın. Bazı bağlantılar, lavabo flanşını tutan büyük bir halkanın sökülmesini gerektirecektir. Lavabo flanşını lavabodan yukarı çekin ve eski macunları lavabodan temizleyin.
- ▶ Lavabonun temiz ve iyice kuru olduğundan emin olun.

**ÖNEMLİ:** Yeni öğütücünüzü takmadan önce, bir boşaltma burgusu veya tesisatçı yılanını çalıştırarak kapı ve drenaj hatlarını temizlemek için iyi bir zamandır.



## TESİSAT BAĞLANTISI

Bulaşık makinesi ve/veya taşma kısmı bağlanmayacaksa bir sonraki bölüme geçin.

Bir bulaşık makinesi kullanıyorsanız, bu tercihen doğrudan sifondaki ilgili bağlantıya bağlanmalıdır. Sifonda bulaşık makinesi bağlantısı yoksa, aşağıdaki prosedürü tamamlayın:

- ▷ Küçük bir alet (çelik delgi veya ahşap dübel) kullanarak, tüm tapayı çıkarın (şekil 2A). Tornavida veya keskin alet kullanmayın. (Tapa öğütücüye düştüğünde, öğütücü kullanıldığında bunu çıkarabilir veya öğütebilirsiniz).

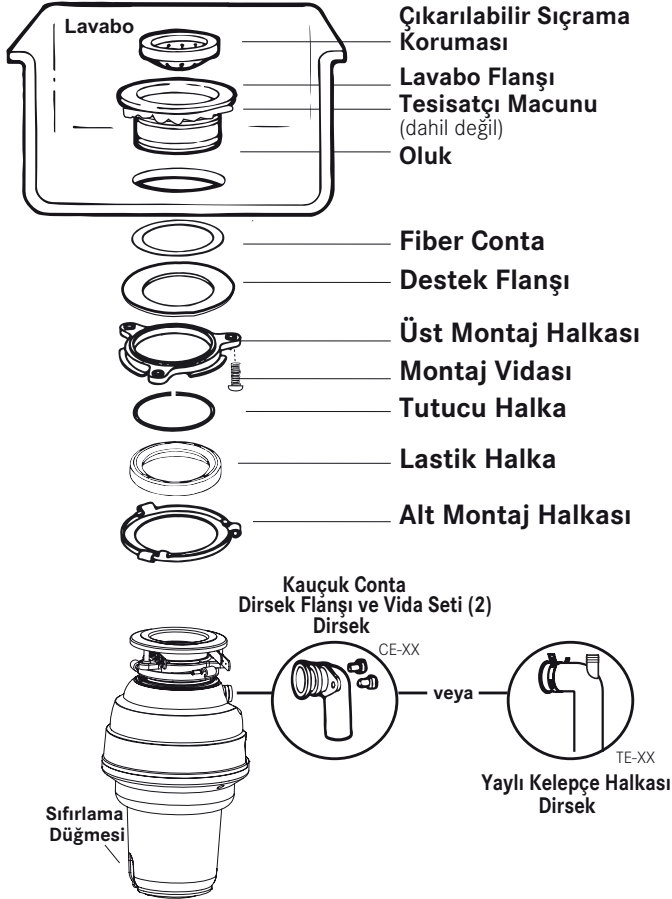
Bu işlemten herhangi bir şekilde öğütücüde hasara neden olmaz ancak öğütmek biraz zaman alabilir).



- Taşma hortumunu (şekil 2B) hortum kelepçesi ile bağlayın. Hortum boyutu farklıysa, kademeli bir kauçuk adaptöre ihtiyaç duyarsınız.

- Hortum kelepçesini kullanarak bulaşık makinesinin hortumunu bağlayın (şekil 2B). Tüm tesisat bağlantılarının sıkı ve tüm tesisat kural ve yönetmeliklerine uygun olduğundan emin olun. Suyu açın ve kaçak olup olmadığını kontrol edin.

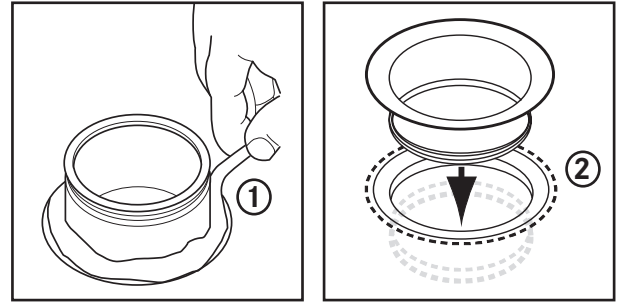
## MONTAJ TERTIBATININ TAKILMASI



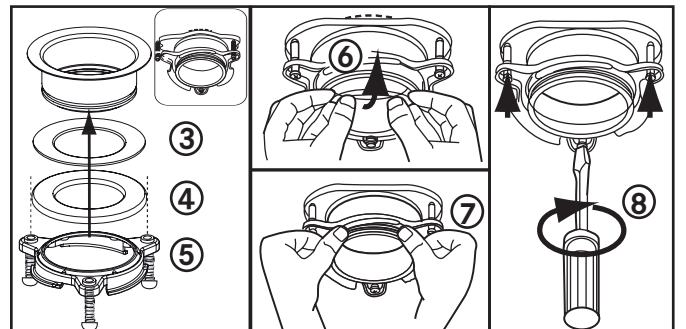
**NOT:** Montaj bileşenleri, lavaboda monte edilecekleri sırayla kutudan çıkarıldığından, lütfen montaj sisteminin bileşenlerini sökmeden önce sırasına dikkat edin.

- **Montaj sırasında lastik halka ve alt montaj halkası öğütücüye takılı kalacaktır.** Alt montaj halkası tırnakları üst montaj halkası eğiminden kayana dek alt montaj halkasını saat yönünde çevirerek montaj tertibatının diğer bileşenlerini sökün. Bu, üst tertibatı geriye kalan alt montaj tertibatından ayırmanıza olanak tanır.
- Üst montaj halkası destek flaşının üstüne hareket edebilene kadar 3 montaj vidasını gevşetin. Tutucu halkayı bir tornavida ile çıkarın.

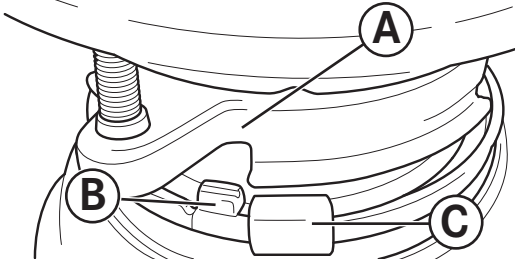
- Kalan parçaları, çıkarıldıkları sıraya göre bir arada tutun. Öğütücüyü, lavabonun altındaki montaj tertibatına bağlamadan önce, alt montaj halkasının yerine oturduğundan ve siyah lastik halkanın öğütücü ağzının üstünde hala düzgün şekilde takıldığından emin olun. (Lastik halayı çıkarmayın.)
- Lavabonun temiz olduğundan emin olun. Lavabo flaşına az miktarda tesisatçı macunu sürün (1). Lavabonun üstünden, iyi bir yalıtım sağlamak için lavabo flaşını lavabo ağzına doğru bastırın (2). oturduktan sonra lavabo flaşını **hareket ettirmeyin veya döndürmeyin** aksi takdirde keçe kırılabilir.



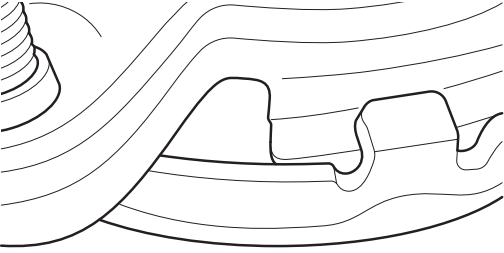
- Tutmak için öğütücü gibi ağır bir nesneyi (lavabonun çizilmesini önlemek için havlu kullanın) lavabo flaşının üzerine yerleştirin.
- Bir kenara koyulan montaj tertibatının geri kalan kısmını alın. Lavabonun altından fiber contayı (3), sonra destek flaşını (4) ve daha sonra üst montaj halkasını yerleştirin (5).
- Tutucu halkayı (6) ayırarak ve lavabo flaşının (7) oluşuna oturana kadar lavabo flaşının (7) üzerine kaydırarak üç parçayı yerinde tutun.



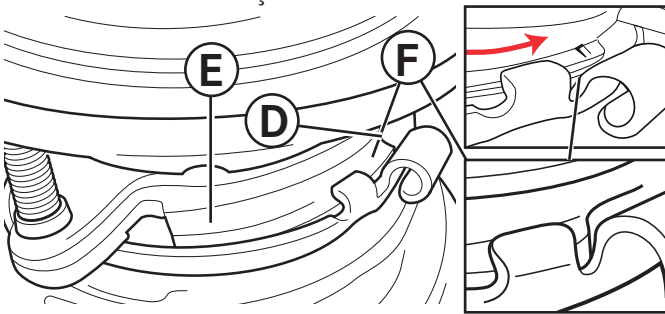
- ▶ Üç montaj vidasını destek flanşına (8) eşit ve sıkı şekilde sıkın. Aşırı sıkmayın.
- ▶ Fazla tesisatçı macununu kesin.
- ▶ Öğütücüyü, alt montaj halkasındaki üç montaj tırnağını üst montaj halkasındaki yukarı doğru eğik kısımlarla hizalayıp saat yönünün tersine döndürerek üst montaj halkasına takın.



- ▶ Alt montaj halkası (öğütücünün bir parçası), montaj halkası eğik kısmını tutan 3 tırnağa sahiptir. (A) üst montaj halkasını işaret eder. (B) "Eğik kısım" üzerine kayan tırnaktır. (C) alt montaj halkasını döndürmeye yardımcı olmak için kullanılan „Kulak“tır.
- ▶ Gerekirse destek için bir tornavida kullanın.



- ▶ Alt montaj halkasını kaldırıp saat yönünün tersine, üç montaj tırnağının tümü üst montaj halkasının yukarı doğru eğimli kısımlarındaki (D) sırtlara (F) kilitlene kadar çevirin.



- ▶ Alt montaj halkası saat yönünün tersine çevrildiğinde, her bir tırnak üst montaj halkası eğik kısmına (E) kaydırılır ve sırtların (F) üstünde kilitletir.
- ▶ Gerekirse destek için bir tornavida veya çekiç kullanın.
- ▶ Bir öğütücünün çıkarılması gerekiyorsa, Kulağa saat yönünde çekiçle tıkladılması alttaki montaj halkasını kolayca gevşetecektir.

## Elektrik bağlantısı

- ▶ Öğütücüyü yalnızca uygun ev elektriğine bağlayın.

Bu cihazın bağlı olduğu prize bir şalter ile kumanda edilmelidir.

**UYARI:** Ekipman topraklama iletkeninin yanlış bağlanması **elektrik çarpması** riski altına sokabilir. Cihazın **doğru şekilde topraklanmış** olup olmadığı konusunda şüpheniz varsa, yetkili bir elektrikçi veya servis görevlisiyle görüşün. Prize uymuyorsa, cihazla birlikte sağlanan fişi değiştirmeyin. Kalifiye bir elektrik teknisyenine **uygun bir priz** taktırın.

## Topraklama talimatları

TOPRAKLI BİR PRIZE TAKILI GÜÇ KABLOSUYLA DONATILMIŞ ATIK ÖĞÜTÜCÜLER İÇİN.

- ▶ Bu cihazın topraklanması gerekir. Bir arıza durumunda, topraklama, elektrik çarpması riskini azaltmak amacıyla elektrik akımı için en az dirençli bir yol sağlar. Bu cihaz, bir ekipman-topraklama iletkeni ve bir topraklama fişi bulunan bir kablo ile donatılmıştır.
- ▶ Fiş tüm yerel yasalara ve yönetmeliklere uygun olarak düzgün şekilde monte edilmiş ve topraklanmış uygun bir prize takılmalıdır.
- ▶ Güç kablosu zarar görürse, olası bir tehlikeyi önlemek için üretici, servis temsilcisi veya başka bir kalifiye kişi tarafından değiştirilmelidir.

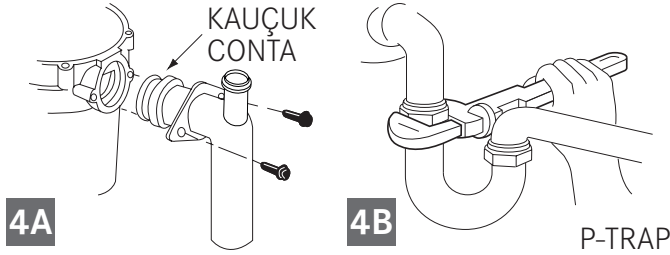
**Bir takılı güç kablosunu veya fişini çıkartmak garantiyi geçersiz kılar.**



## Deşarj dirseğini takma

MODELLER CE-50, CE-75, TE-75S

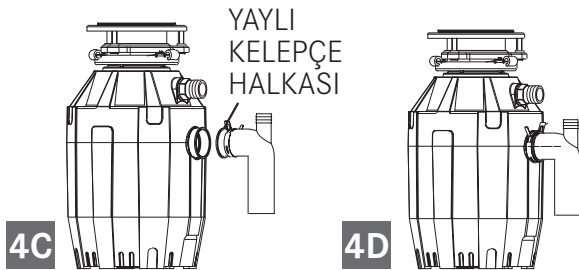
- Dirseğin üzerindeki kauçuk contaya karşı flanşı kaydırarak ve vidaları öğütücünden sıkarak atık dirseğini öğütücüye bağlayın (şekil 4A). Ardından, kayma somunu sıkarak dirseğin altını bağlayın (şekil 4B). Düz bir boru kullanıyorsanız, dirsekteki dudak benzeri bir dudağı olmalıdır. Contayı dirsekten çıkarın ve contanın düz ucunu öğütücü boşaltma deliğine bakacak şekilde düz boruya monte edin.



Eğer bir bulaşık makinesine bağlıyorsanız, TESİSAT BAĞLANTISI bölümüne (2A-B) dönün. Değilse, tüm tesisat bağlantılarının sıkı ve tüm tesisat kural ve yönetmeliklerine uygun olduğundan emin olun. Suyu açın ve kaçak olup olmadığını kontrol edin.

MODELLER TE-50, TE-75, TE-125, TE-125BF

- Lastik kovandan çıkarmak için yaylı kelepçedeki kanatlara basın. Yaylı kelepçeyi dirsek pürüzsüz tarafı üzerinden kaydırın ve dirseğin dudaklı tarafına doğru kaydırın. (şekil 4C).
- Dirseğin dudağı kauçuk bilezik içinde bulunan oluğa sığacak şekilde atık dirseğini lastik kovana yerleştirin. Yaylı kelepçeyi lastik kovanın üzerine yerleştirin ve sabitleyin (şekil 4D). Düz bir boru kullanıyorsanız, öğütücü ile birlikte verilen dirsekteki dudağa uyan dudaklı bir boru kullanın.



- Eğer bir bulaşık makinesine bağlıyorsanız, TESİSAT BAĞLANTISI bölümüne (2A-B) dönün. Değilse, tüm tesisat bağlantılarının sıkı ve tüm tesisat kural ve yönetmeliklerine uygun olduğundan emin olun. Suyu açın ve kaçak olup olmadığını kontrol edin.

## Hava şalteri kumandalı

### Öğütücü Hava Şalteri Tertibatı

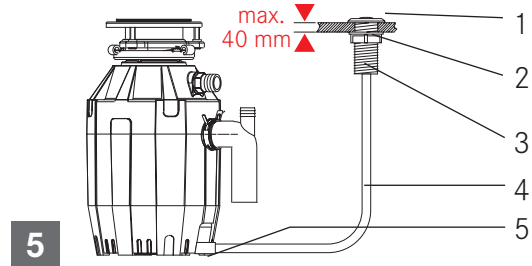
Aktüatör aşağıdakilerden oluşur:

1. Aktüatör Düğmesi
2. Aktüatör Somunu
3. Aktüatör Çıkışı (Dişli kısım)

Öğütücüye takılı olan hava şalteri sensörü muhafazası. Öğütücünün dışından sadece hava borusu nozülü görünür.

Aşağıdakileri içeren hava borusu tertibatı:

4. Hava Borusu-Şeffaf veya siyah
5. Hava Borusu Somunu



### Kurulum ve Kullanım Kılavuzu

- Zaten bir delik mevcut değilse, aktüatör düğmesinin (1) bulunduğu lavabonun veya tezgahın içine 35 mm - 40 mm arasında bir delik açın.
- Üstten, aktüatör çıkışını matkap deliğinden geçirin.
- Aktüatör somununu (2) aktüatör çıkışına (3) vidalayın ve elle iyice sıkın.
- Hava borusunu bir taraftan aktüatör çıkışına (3) ve bir taraftan ise sensör girişine sıkıca bağlayın ve öğütücü güç kablosunu da prize takın.
- Öğütücüyü açmak için, aktüatör düğmesine basın (1). Kapatmak için, aktüatör düğmesine yeniden basın.

### Öneriler

- Bulaşık makinenizi kullanmadan önce, düzgün bir şekilde boşalabilmesi için öğütücünün boş olduğundan emin olun.
- Mutfak malzemeleri ve yabancı cisimlerin öğütücüye düşmesini önlemek için kullanılmadığında tapayı lavabonun deliğinde bırakın.
- Öğütücünüz uzun yıllar sorunsuz bir hizmet sunmak için sağlam bir şekilde üretilmiştir. Normal tüm gıda atıklarını işler, ancak plastik, teneke kutular, şişe kapakları, cam, porselen, deri, kumaş, kauçuk, ip, istiridye ve istiridye kabuğu, alüminyum folyo veya tüy gibi maddeleri öğütmez veya bertaraf etmez.

## KULLANIM TALIMATLARI

Özellikle toplu beslemeli öğütücü satın almadıysanız, öğütücünüz sürekli beslemelidir.

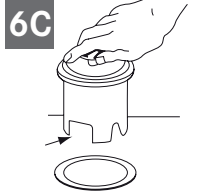
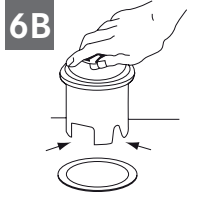
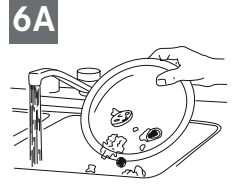
### Sürekli besleme

Sıkışma Önleyici Döner Pervaneler başlangıçta yerine oturma sırasında bir tıklama sesi çıkarırlar. Bu, normal çalışmayı gösterir.

- ▶ Evyenin tıkaçını çıkarın. Soğuk suyu orta hızda akacak şekilde açın.
- ▶ Şalteri ON (AÇIK) konumuna getirin; motorunuz tam hızda döner ve kullanıma hazırdır.
- ▶ Yiyecek atıklarını öğütün. Tahliye borusuna yemek artıklarını, meyve kabuklarını, sert kabukları, çekirdekleri, meyve çekirdeklerini, küçük kemikleri ve kahve tanelerini atabilirsiniz. Yiyecek atığı öğütme işlemi hızlandırmak için, büyük kemikleri, kabukları ve koçanları kesin veya kırın. Büyük kemikler ve lifli kabuklar uzun öğütme süresi gerektirir ve bunları diğer çöplerle atmak daha kolaydır. Çöp öğütücüsü öğütme işlemi sırasında yavaşlarsa telaşlanmayın. Aslında çöp öğütücüsü torku (öğütme gücünü) artırarak normal koşullar altında çalışıyordur.
- ▶ Çöp öğütücüsünü kapatmadan önce, parçalama işlemi sona erdikten sonra su açıkken öğütücünün 15 saniye boyunca çalışmasını sağlayın. Bu, tüm atıkların tahliye sifonu aracılığıyla tamamen akıp gitmesini sağlar.
- ▶ Çöp öğütücüsü çalışırken sıcak su kullanılması önerilmez. Soğuk su, atıkları ve yağları katı halde tutar, böylece çöp öğütücüsü parçacıkların akıp gitmesini sağlayabilir.

### Toplu besleme

- ▶ Lavabo tapasını çıkarın. Orta derecede soğuk su akışını açın.
- ▶ Gıda atıklarını kazıyın. Drenajdan aşağı masa çöpleri, sebze kabukları, koçanlar, kabuklar, çekirdekler, kemikler ve kahve tohumları gider (şekil 6A).
- ▶ Öğütücüyü başlatmak için tapa takın (şekil 6B). Tapa tabanındaki iki küçük yuvadan biri, öğütücünün boğazı içindeki şalter planceriyle hizalanmalıdır. Öğütücüyü açık konuma getirmek için sıkıca aşağı doğru bastırın. Öğütücüyü kapatmak için tapayı kaldırın.
- ▶ Parçalamayı durdurduktan sonra öğütücüyü 15 saniye çalıştırın. Bu, tüm atıkların drenajdan tamamen boşaltılmasını sağlar.
- ▶ Lavaboyu doldurmak için tapayı takın ve en büyük yuvayı şalter planceri ile hizalayın. (şekil 6C) Öğütücüyü başlatmadan lavaboyu kapatmak için aşağı itin. Tapa tabanında orta büyüklükte yuva (şekil 6B) şalter planceri ile hizalanırsa su boşalabilir, ancak çatal, bıçak, vb. kazara öğütücü içine düşemez.



### ⚠ DİKKAT

- ▶ Soğuk su önerilir.
- ▶ Gıda atığı öğütücüyü cam veya metal gibi sert malzemelerle kullanmayın.
- ▶ Ahşap bir kaşıkla engellenen bir döner tablanın blokajını kaldırmaya çalışırken makineyi kapatın veya fişten çekin.

**CIHAZIN İÇİNE ŞUNLARI KOYMAYIN:**

- Metal parçaların ciddi şekilde korozyona uğramasına neden olduklarından küllü su ve tahliye borusu temizlik maddeleri (tuz ruhu). Bunlar kullanılırsa, ortaya çıkan hasar kolayca tespit edilebilir ve tüm garantiler geçersiz olur
- Fazla katı veya sıvı yağ
- Plastik malzemeler
- Bal kabukları
- Muz kabukları
- Ananas yaprakları
- Kuşkonmaz
- Enginar
- Kabuk (ör. istiridye, midye vb.)
- İlaç
- Metal (şişe kapağı)
- Plastik parçalar
- İnek kemiği ve/veya büyük boyutlu maddeler

**CIHAZIN İÇİNE ŞUNLARI KOYABİLİRSİNİZ:**

- Mısır koçanları
- Küçük kemikler (ör. tavuk, tavşan kemikleri)
- Fındık kabukları
- Et parçaları
- Kavun, karpuz kabuğu
- Meyve çekirdekleri
- Üzüm çöpü
- Pirinç taneleri
- Kahve taneleri
- Yumurta kabukları
- Balık kılıcı
- Balık kafası
- Makarna
- Sebzeler veya sebze kabukları
- Peynir
- Ekmek
- Çorba

## SORUN GIDERME

Onarım veya değiştirme öncesi aşağıdakileri gözden geçirmenizi öneririz:

**YÜKSEK SESLER** (küçük kemiklerin ve meyve çekirdeklerinin öğütülmesi dışında): bu seslerin nedeni genellikle bir çatalın, şişe kapağının veya başka bir yabancı maddenin kazayla cihaza girmesidir.

- ▶ Bunu düzeltmek için, çöp öğütücüsü durduktan sonra elektrik şalterini ve suyu kapatın.

**CIHAZ ÇALIŞMIYOR:**

- ▶ Cihazınızın modeline ve devre yapılandırmasına bağlı olarak, güç kablosunun fişini çekin veya duvardaki düğmeyi veya şalter anahtarını "OFF" (KAPALI) konumuna getirin.
- ▶ Tıkacı çıkarın. Ahşap bir süpürge sapı kullanarak döner tablanın serbestçe döndüğünden emin olun. Döner tabla serbestçe dönüyorsa, \*sıçrama siperini yeniden yerleştirin ve tetiklenip tetiklenmediğini görmek için sıfırlama düğmesini kontrol edin. Sıfırlama düğmesi kırmızıdır ve tahliye dirseğinin karşısında, alta yakın bir yerde bulunur (şekil 3). Düğmeye tık sesi çıkarana kadar ve basılı kalana kadar basın.

- ▶ Sıfırlama düğmesi tetiklenmediyse, çöp öğütücüsüne bağlanan kısa devre yapmış veya kopmuş bir kablo arayın. Elektrik düğmesini, sigorta kutusunu veya şalteri kontrol edin. Devre ve elektrik bileşenleri tamsa, cihazın servis işlemi veya değişiklik gerektiren dahili sorunları olabilir.

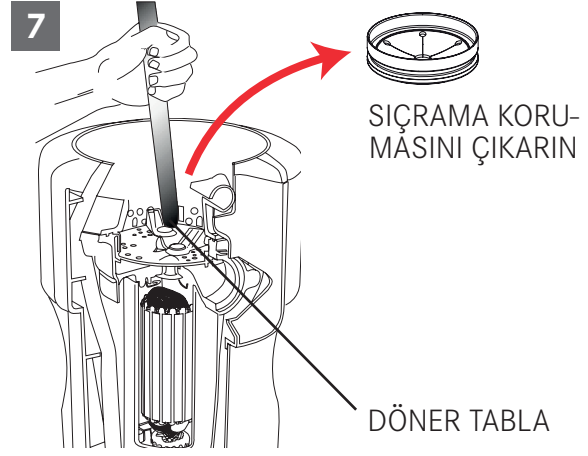
**DÖNER TABLA SERBESTÇE DÖNMÜYORSA:**

- ▶ Çöp öğütücüsünü kapatın, ardından döner tabla ile öğütme halkası arasında yabancı madde olup olmadığını kontrol edin. Nesneyi döner tablayı ahşap bir süpürge sapıyla döndürerek yerinden oynatın ve çıkarın (şekil 7). Yabancı madde yoksa, dahili sorunlar olabilir.

**KAÇAKLAR:** Cihazın üst kısmında kaçak varsa, kaçağın nedeni şunlar olabilir:

- Eveye flanşı yerine düzgün şekilde oturmamıştır (conta ortalama, macun veya sıkma).
- Destek halkası uygun biçimde sıkılmamıştır.
- Kusurlu yastık kullanılmıştır veya yastık yanlış monte edilmiştir.

Cihazın atık dirseğinde kaçak varsa, kaçağın nedeni dirsek flanşının vidalarının yanlış sıkılması olabilir.



## TEMİZLİK VE BAKIM


### ÇÖP ÖĞÜTÜCÜNÜZÜ YAĞLAMAYA KALKIŞMAYIN!

Motor kalıcı olarak yağlanmıştır. Çöp öğütücüsü kendi kendini temizler ve her kullanımda dahili parçalarını bol suyla yıkar. Metal parçaların ciddi biçimde korozyona uğramasına neden olduğundan çöp öğütücüsünün içine **Asla** kül suyu veya tuz ruhu, lavabo açıcı gibi kimyasal tahliye borusu temizleyicileri koymayın.

Bunları kullanırsanız, ortaya çıkan hasar kolayca tespit edilebilir ve tüm garantiler geçersiz hale gelir.

Suyunuzdan gelen madeni tortular paslanmaz çelik döner tablada birikerek pas görünümü verebilir. **endişelenmeyin**, kullanılan paslanmaz çelik döner tablalar korozyona uğramaz.

## ELDEN ÇIKARMA

 Ürün veya ambalaj üzerindeki sembol, ürünün evsel atıklarla beraber atılmaması gerektiğini gösterir. Ürünü uygun bir yolla elden çıkararak, çevre ve sağlık üzerindeki zararlı etkilerden kaçınılmasını sağlamış olursunuz.

Ürünün geri dönüştürülmesi hakkında ayrıntılı bilgi yetkili makamlardan, yerel çöp toplama hizmetlerinden veya ürünü satan bayiden elde edilebilir.

- ▷ Atılacak ürünü, elektrikli ve elektronik ürünlere özel atık toplama noktası yoluyla elden çıkarın.

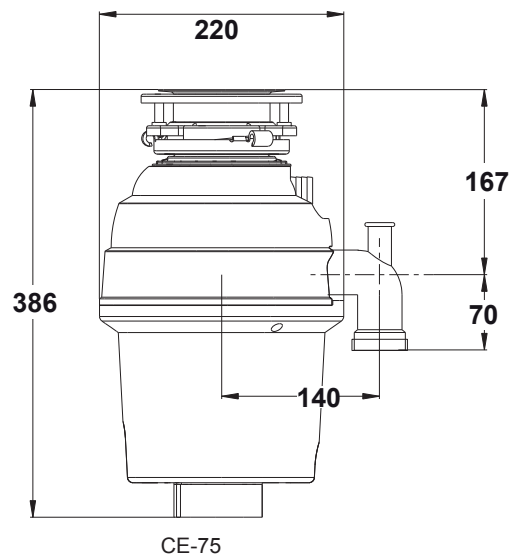
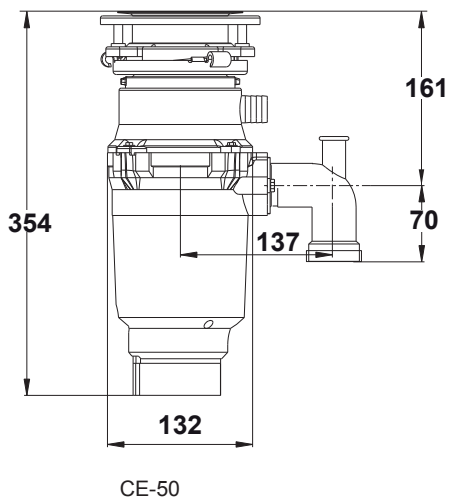
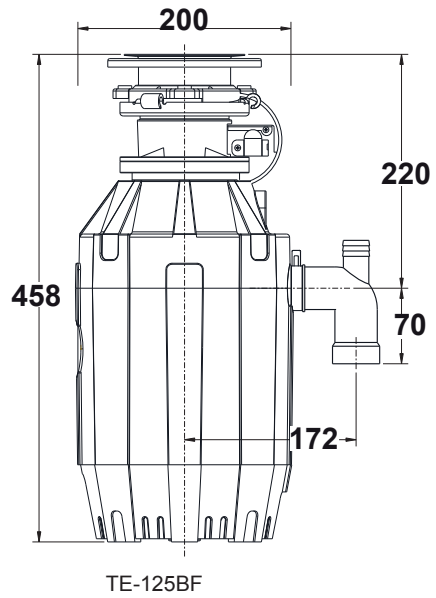
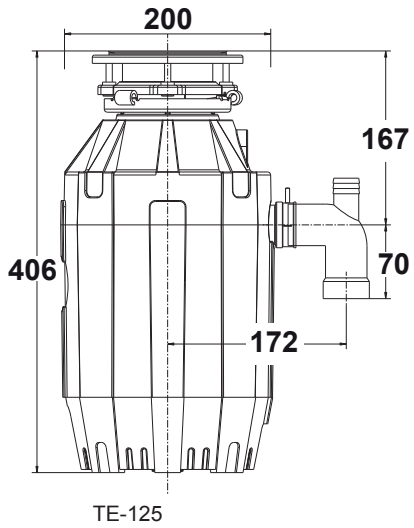
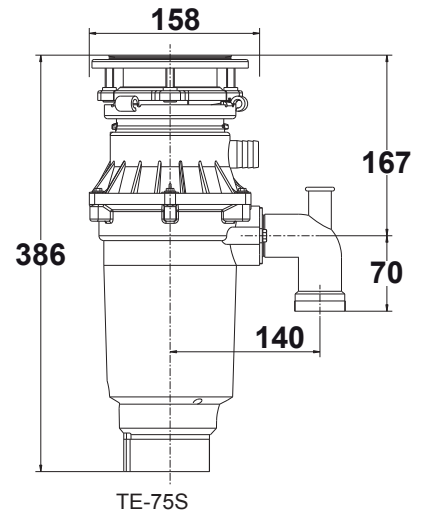
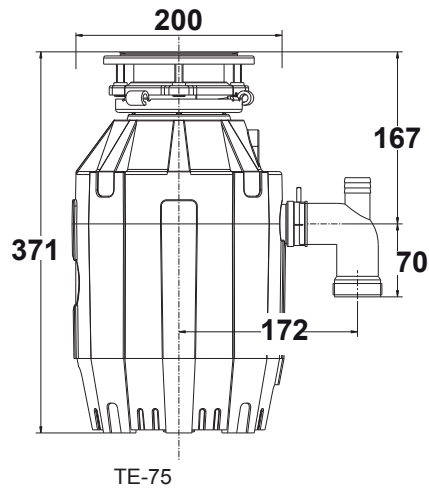
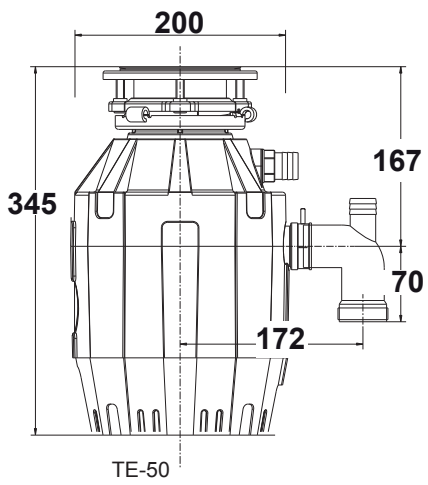
Elektrikli ve elektronik ev aletlerinde kullanılan tehlikeli maddelerin azaltılması ve atık bertarafı hakkındaki 25 Temmuz tarihli 15 sayılı Kanun Hükmündeki Kararnamenin 2002/96/ EC Direktiflerinin Uygulanması maddesine uygun şekilde.

Ürünün üzerindeki üstü çizili çöp kutusu sembolü, ürünün kullanım ömrü sona erdiğinde evsel atıklarla beraber atılmaması gerektiğini gösterir.

Bu nedenle, ürünün kullanım ömrü sona erdiğinde ürün sahibi ürünü elektronik ve elektroteknik atıklar için uygun bir geri dönüşüm merkezine götürmeli veya benzer tipte yeni bir ürün alırken bayiye iade etmelidir.

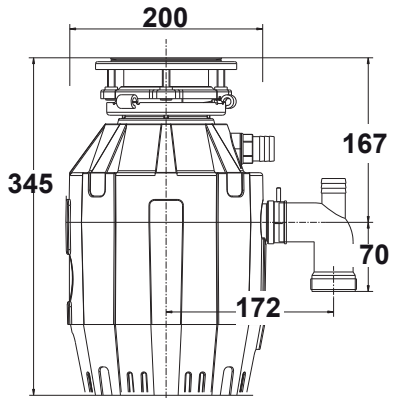
Hurdaya çıkarılan ürünün daha sonra geri dönüşüm, arıtım ve çevre dostu bir şekilde bertaraf için bağımsız olarak uygun bir şekilde toplanması, çevre ve sağlık üzerindeki potansiyel olumsuz etkinin önlenmesini sağlar ve ev aleti üretiminde kullanılan malzemelerin geri dönüştürülmesini kolaylaştırır.

Çöp öğütücüsü yalnızca evsel kullanım için tasarlanmıştır.

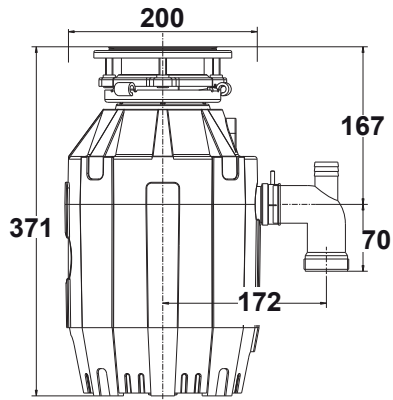




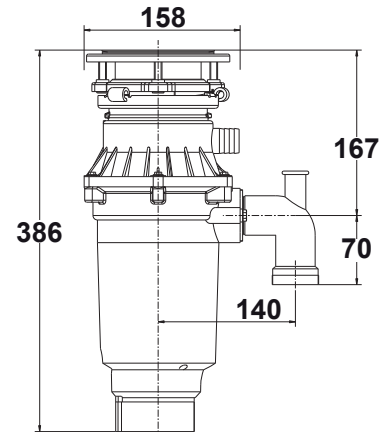




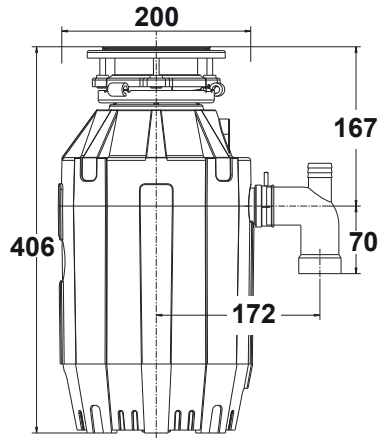
TE-50



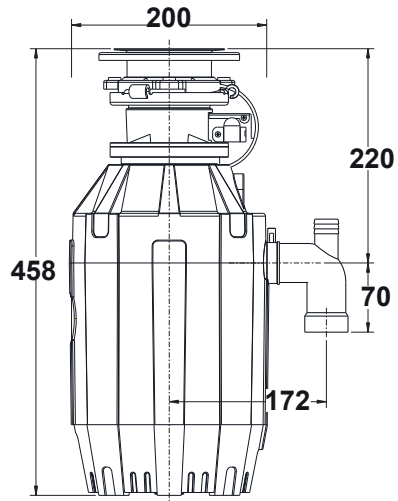
TE-75



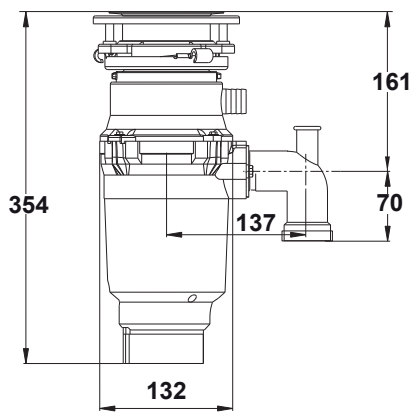
TE-75S



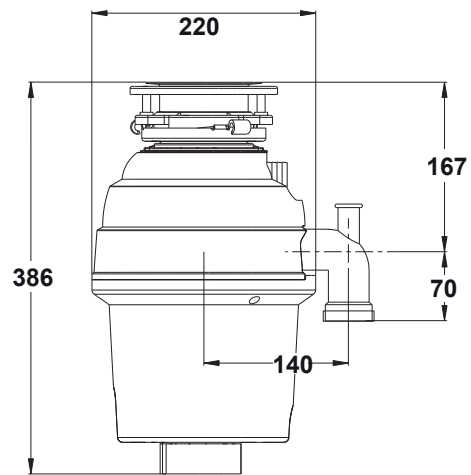
TE-125



TE-125BF

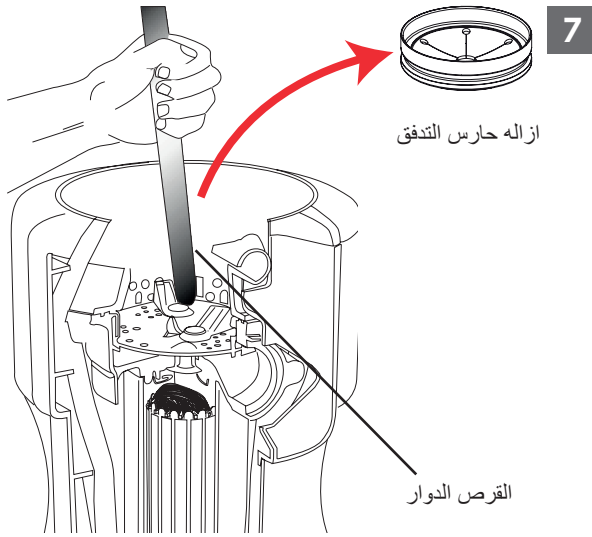


CE-50



CE-75





### اكتشاف الأخطاء وإصلاحها:

◀ لو لم يكن القرص الدوار يدور بحرية: اغلق جهاز التخلص من النفايات من النفايات، حينئذ افحص وجود أي أشياء غريبة مستقرة بين القرص الدوار وطوق الطحن. انزع الأشياء بواسطة تدوير القرص بيد مقشاة خشبية وقم بإزالة الأشياء. (شكل 7). إذا لم يكن هناك أشياء غريبة فقد يكون هناك مشاكل داخلية.

### التسريبات:

لو حدث تسريب في الوحدة من أعلى، قد يكون ذلك بسبب:

- استقرار غير صحيح لشفة بالوعة (تمركز الحشوة أو المعجون أو الربط بإحكام).
- حلقة الدعم غير محكمة جيداً.
- مطية وسادة مركبة بشكل خاطئ أو معيبة.

إذا سربت الوحدة في كوع النفايات فقد يكون ذلك بسبب إحكام غير صحيح لمسامير شفة الكوع.

## التنظيف والصيانة

في حال استخدامها فإن التلف الناتج ممكن كشفه بسهولة وحينها تكون جميع الضمانات لاغية. الرواسب المعدنية التي يتركها الماء بسبب استخدامك قد تكون على القرص المعدني الفولاذي معطية مظهر الصدأ. لا تنزعج فإن الأقراص الدوارة المعدنية الفولاذية المستخدمة لن تتآكل.

لا تحاول أن تشحم جهاز التخلص من النفايات الخاص بك. الموتور مشحم للأبد. جهاز التخلص من النفايات ينظف نفسه ويجلي أجزاءه الداخلية في كل مرة تستخدمه فيها. لا تضع الصودا الكاوية أو منظفات البلاعة الكيماوية مثل حمض الهيدروكلوريك وحمض المورياتيك، ومنتجات مكافحة انسداد بلاعة الحوض في جهاز التخلص من النفايات حيث أنها تسبب تآكل خطير للأجزاء المعدنية.

## التصرف

وبالتالي، عندما يصل الجهاز إلى نهاية حياته العملية، يجب على المستخدم أن يأخذه إلى مركز مناسب لإعادة تدوير النفايات الإلكترونية والكهربائية أو يعيده إلى التاجر الذي اشتراه منه أو تاجر آخر مثله. جمع نفايات مناسب منفصل للأجهزة الملغاة من أجل إعادة تدويرها بعد ذلك ومعالجتها والتخلص منها بطريقة صديقة للبيئة يساعد في منع تأثير سلبي محتمل على البيئة والصحة ويسهل إعادة التدوير للمواد الخام المستخدمة في بناء الأجهزة.

جهاز التخلص من نفايات الطعام للاستخدام المنزلي فقط.



الرمز الموجود على المنتج أو العلبة يدل على أن الجهاز لا يجب التخلص منه في النفايات المنزلية. بتخلصك من الجهاز بطريقة ملائمة فإنك تساعد على تجنب من التوابع المؤذية للبيئة والصحة.

المزيد من المعلومات عن إعادة تدوير الجهاز متاحة لدى السلطات المختصة. السكان المحليون يرفضون خدمة التصرف أو البيع للجهاز.

◀ \*تخلص من الجهاز الذي سوف يتخلص منه عن طريق نقطة جمع نفايات متخصصة للأجهزة الإلكترونية والكهربائية.

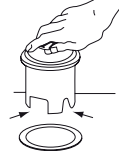
طباً للمادة رقم 15 من المرسوم التشريعي بتاريخ 25 يوليو، فإن تنفيذ التوجيهات فيما يتعلق بتقليل المواد الخطيرة المستخدمة في الأجهزة الكهربائية والإلكترونية والتخلص من النفايات. رمز المزالة على الجهاز يدل على أنه في نهاية حياته العملية لا يجب التخلص منه كالنفايات المنزلية.

### لا تضع بالداخل

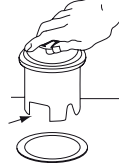
- الصودا الكاوية وكيمويات تنظيف البلاعة (حمض الهيدروكلوريك وحمض المورياتيك) لأنهم يسببوا تآكل خطير للأجزاء المعدنية. في حالة استخدامها، يمكن للتلف الناتج أن يكشف عنه بسهولة وكافة الضمانات لاغية.
- الدهون والزيوت الزائدة.
- المواد البلاستيكية.
- اليقطين.
- قشر الموز.
- ورق الأناناس.
- نبات الهليون.
- الخرشوف.
- الصدف (المحار وبلح البحر وغير ذلك)
- الدواء.
- المعادن (أغطية الزجاجات).
- القطع البلاستيكية.
- عظم البقر أو العظام الكبيرة.

### ما يوضع بداخله

- كيزان الذرة.
- العظام الصغيرة (كالدجاج والأرانب).
- قشر الجوز.
- بقايا اللحم.
- قشر البطيخ والشمام.
- بذور الفاكهة.
- بذور العنب.
- الأرز.
- القهوة المطحونة.
- قسر البيض.
- عظم السمك.
- رأس السمكة.
- المكرونة.
- الخضروات أو قشر الخضروات.
- الجبن.
- الخبز.
- الشورية.



- ◀ أدخل سدادة ليبدأ جهاز التخلص من النفايات في العمل شكل (6B) شكل (6B). إحدى الفتحتين الصغيرتين في قاعدة السدادة لا بد أن يصطفوا مع مكبس التبديل داخل رقبة جهاز التخلص من النفايات. ادفع للأسفل بقوة شديدة لتشغل جهاز التخلص من النفايات. ارفع السدادة لتطفئ جهاز التخلص من النفايات من النفايات.
- ◀ أترك جهاز التخلص من النفايات دائراً لمدة 15 ثانية بعد توقف التمزيق. سيضمن هذا أن كل النفايات اندفعت عبر البلاعة بعناية.



- ◀ لتملأ الحوض، أدخل السدادة لتصطف الفتحة الكبرى مع مكبس التبديل. (شكل 6C). ادفع للأسفل لتسد الحوض بدون أن يبدأ جهاز التخلص من النفايات من النفايات في العمل. عندما تكون الفتحة متوسطة الحجم (شكل 6B) الموجودة في قاعدة السدادة مصطفة مع مكبس التبديل، يمكن للماء أن يتصرف، ولكن أدوات المائدة لا يمكن أن تترك لتسقط بالصدفة في جهاز التخلص من النفايات.



### تحذير

- ◀ ينصح بالماء البارد.
- ◀ لا تستخدم وحدة التخلص من النفايات مع المواد الصلبة مثل الزجاج والمعدن.
- ◀ اغلق الوحدة أو شد السلك من القابس عندما تحاول أن تفتح قرص دوار مغلق بمعلقة خشبية.

## اكتشاف الأخطاء وإصلاحها:

- ◀ قبل السعي إلى الإصلاح أو الاستبدال، ننصح بمراجعة التعليمات الآتية:
- ◀ إحداهن ضوضاء عالية: (غير تلك التي تحدث عند طحن العظام الصغيرة وبذور الفاكهة)، هناك ضوضاء قد تحدث عادة بسبب دخول غير مقصود لمعلقة أو غطاء زجاجة أو أي أشياء غريبة.
- ◀ لتصحيح ذلك، اغلق مفتاح الكهرباء والماء بعد أن يتوقف جهاز التخلص من النفايات.
- ◀ الوحدة لا تعمل:
- ◀ اجذب سلك الكهرباء أو اغلق أيضاً مفتاح الحائط الكهربائي أو مربع الكسارة على أساس النموذج أو تكوين الأسلاك عندك.
- ◀ انزع السدادة و/أو حارس البداية. أنظر لترى إذا ما كان القرص الدوار سيدور بحرية باستخدام يد مقشاة خشبية. لو دار القرص الدوار بحرية، استبدل حارس البدء وتفحص زر إعادة التشغيل لترى إذا ما كان شغل الآلة. زر إعادة التشغيل أحمر وموجود مقابل كوع الصرف، وبالقرب من القاع. ادفع الزر إلى الداخل حتى يصدر صوت نقر ويظل مضغوطاً.
- ◀ لو أن زر إعادة التشغيل قد شغل الآلة، تفحص وجود سلك متعثر أو منقطع مرتبط بجهاز التخلص من النفايات.
- ◀ افحص المفتاح الكهربائي وصندوق قاطع التيار أو قاطع الدائرة الكهربائية. لو كان السلك والمكونات الكهربائية سليمة، قد يكون في الوحدة مشاكل داخلية تتطلب الخدمة أو الاستبدال.

**تعليمات التشغيل والتركيب:**

1. إذا لم يكن هناك ثقب، قم بحفر ثقب من 35-40 ملم في الحوض أو سطح الحوض حيث يوضع زر المشغل الميكانيكي (رقم 1).
2. أدخل من أعلى مخرج المشغل الميكانيكي من خلال الثقب المحفور.
3. أربط صمولة المشغل الميكانيكي (2) فوق المخرج (3) أربطها بإحكام باليد.
4. أربط أنبوبة الهواء بقوة شديدة، أحد الجانبين بمخرج المشغل الميكانيكي (3) والجانب الآخر بمخرج جهاز الاستقبال.
5. قم بتوصيل سلك كهرباء جهاز التخلص من النفايات بمصدر الكهرباء الرئيسي.
6. لتشغيل جهاز التخلص من النفايات، عليك بضغط زر المشغل الميكانيكي (1)، ولقفل جهاز التخلص من النفايات، اضغط زر المشغل الميكانيكي مرة أخرى.

**اقتراحات:**

- ◀ للتأكد من أن جهاز التخلص من النفايات خال قبل استخدام غسالة الأطباق الخاصة بك لكي تقوم بالصرف على نحو مناسب.
- ◀ قد تريد ترك السدادة في مصرف الحوض في حالة عدم الاستخدام، لمنع الأوعية والأشياء الغريبة من السقوط في جهاز التخلص من النفايات.
- ◀ تم بناء جهاز التخلص من النفايات الخاص بك بثبات ليعطيك سنوات عدة من الاستخدام بدون متاعب. سيعالج كافة نفايات الطعام العادية، ولكنه لن يطحن أو يتخلص من تلك الأصناف كالبلاستيك أو العلب الصفوح أو أغذية الزجاجات أو الزجاج أو الصيني أو الجلد أو القماش أو المطاط أو الخيط أو البطليوس أو أصداف المحار أو ورق الألومنيوم أو الريش.

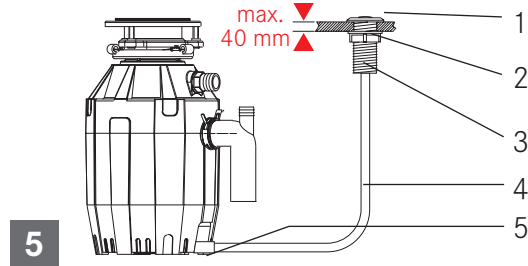
- ◀ إذا كنت تقوم بالربط مع غسالة أطباق، ارجع إلى قسم ربط أنابيب المياه، وإذا لم تكن، تأكد من أن وصلات أنابيب المياه محكمة ومتنفة مع جميع قواعد ونظم السباكة. اسمح للماء بالجريان وتأكد من عدم وصول تسريبات.

**عملية تبديل الهواء****تركيب مخلص تبديل الهواء**

- المشغل الميكانيكي الذي يتكون من:
1. زر المشغل الميكانيكي.
  2. صمولة المشغل الميكانيكي.
  3. مخرج المشغل الميكانيكي (جزء مترابط).
  4. حاوية جهاز استقبال تبديل الهواء التي ترتبط بجهاز التخلص من النفايات. فوهة أنبوبة الهواء فقط هي التي يمكن رؤيتها من خارج جهاز التخلص من النفايات.

تتركب أنبوبة الهواء من:

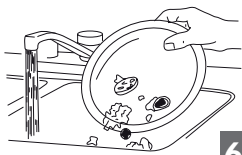
5. أنبوب هواء واضح أو أسود.
6. صمولة أنبوبة الهواء.

**تعليمات التشغيل:**

- ◀ قبل اطفاء جهاز التخلص من النفايات من النفايات اترك الماء وجهاز التخلص من النفايات في وضع التشغيل لمدة 15 ثانية تقريباً بعد توقف التمزيق. هذا سيضمن أن كل النفايات اندفعت بعناية عبر المصيدة والبلاعة.
- ◀ لا ينصح باستخدام مياه ساخنة أثناء تشغيل جهاز التخلص من النفايات. ستحافظ المياه الباردة على الدهون والفضلات في حالة صلابة وبذا يمكن للمتخلص أن يطرد الجسيمات بعيداً.

**التغذية الجزئية**

موديل TE125-BF



6A

- ◀ قم بإزالة سدادة الحوض ثم أطلق دفق متوسط من الماء البارد.
- ◀ افرك نفايات طعام بالداخل ثم أسقط البلاعة لتذهب فضلات الطعام وقشور الخضروات وقطع الخبز والقشور والكسر والعظام والقهوة المطحونة. (شكل 6A).

- ◀ سيكون جهاز التخلص من النفايات الخاص بك ذو تغذية مستمرة لو أنك لم تشتري على وجه الخصوص متخلص ذو تغذية جزئية.

**التغذية المستمرة**

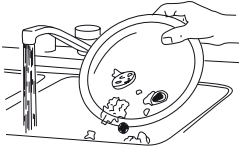
- الدفاعات الرابطة المضادة لكل الأشياء العالقة بالجهاز تصنع صوت نقر عندما تبدأ التآرجح في المكان. يدل هذا على عملية عادية.
- ◀ قم بإزالة سدادة الحوض. افتح تدفق متوسط لماء بارد.
  - ◀ ضع المحول في وضع ON، سيتحول الموتور الخاص بك إلى سرعة كاملة ويكون جاهزاً للاستخدام.
  - ◀ افرك فضلات طعام بالداخل. أسقط البلاعة لتذهب فضلات الطعام والقشور والبذور والفتات والعظام الصغيرة والقهوة المطحونة. لتعجل عملية صرف فضلات الطعام، اقطع أو فنت العظام الكبيرة والقشور وقطع الخبز. العظام الكبيرة والقشور اللينة تحتاج وقت طحن ملحوظ ويمكن رميها بعيداً بأكثر سهولة في سلة مهملات أخرى. لا تخاف من إبطاء جهاز التخلص من النفايات من النفايات أثناء عملية الطحن. جهاز التخلص من النفايات يزيد بالفعل من عزم الدوران (قوة الطحن) ويعمل تحت ظروف عادية.

**استبدال قاطع التيار في قابس الكهرباء المصبوب:**

- ✓ غطاء قاطع التيار يجب أن يكون معكوس عند تغيير الفتيل.
- ✓ قم بإزالة غطاء قاطع التيار واسحب القواطع للخارج.
- ✓ استبدلها بقواطع تيار أستا 13 أمبير. في حالة فقدان غطاء قاطع التيار أو تلفه، يجب استبداله بشكل منضبط. هناك العديد لدى وكيل الخدمة المعتمد. أنظر القائمة في الأسفل. لا تستخدم قابس الكهرباء بدون أن تركيب غطاء قاطع التيار.

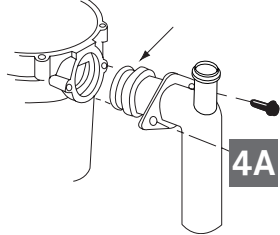
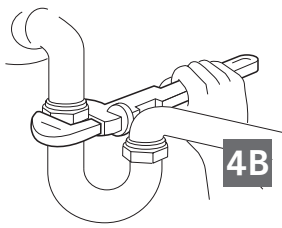
**ربط كوع التصريف**

موديل : CE50-, CE75-, TE75-S



- ◀ أربط كوع النفايات بجهاز التخلص من النفايات عن طريق زلق حافة الماسورة مقابل طوق المطاط على الكوع وتضييق اللوالب على

جهاز التخلص من النفايات من النفايات كما في الشكل (4A). أربط بعد ذلك أسفل الكوع عن طريق تضييق الصمولة. (شكل 4B). إذا كنت تستخدم ماسورة مستقيمة، لا بد وأن يكون فيها شفة كتلك الموجودة على الكوع. قم بإزالة الحشية من الكوع وركبها على الماسورة المستقيمة بالنهاية المسطحة للحشية المتجهة ناحية فتحة تصريف جهاز التخلص من النفايات.

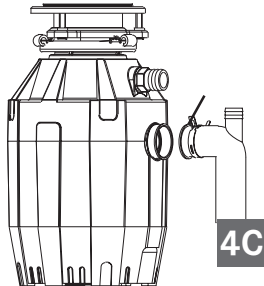
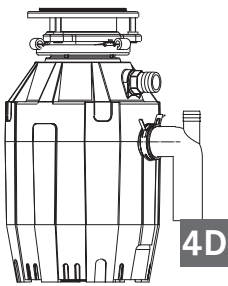


إذا كنت تربط بغسالة أطباق، قم بالعودة إلى قسم ربط أنابيب المياه. وإذا لم يكن، تأكد من أن جميع وصلات أنابيب المياه محكمة ومتفقة مع جميع قواعد ونظم السباكة. اسمح بجريان المياه وتأكد من عدم وجود تسريبات.

موديل : TE50, TE75, TE125, TE125BF

- ◀ اخفض الأجنحة على المشبك الزنبركي لإزالتها من على غطاء الذراع المطاطي.

- ◀ اجعل المشبك الزنبركي ينزلق فوق الجانب الناعم من الكوع واجعله ينزلق ناحية الجانب الحافي للكوع. أنظر الشكل (4C).



- ◀ أدخل كوع النفايات إلى الجلبة المطاطية إلى الحد الذي يجعل حافة الكوع تتناسب مع الوضع الملائم الموجود داخل الجلبة المطاطية (شكل 4C).
- ◀ أضبط موضع المشبك الزنبركي فوق غطاء الذراع المطاطي وتأكد من أنه آمن. (شكل 4C).

(ملحوظة: بما أن جهاز التصريف الخاص بك يحتوي على قابس مقولب على سلك التوصيل، ولا يجب استخدام القابس، قم بقطعه والتخلص منه بحكمة. يمكن أن تكون القابس المقولب مع سلك التوصيل السائب بأحزمة منفصلة خطر لأن خطر الصدمة الكهربائية يمكن أن تحدث في حالة إدخال مثل هذا القابس في مقبس 13 أمبير في أي مكان داخل المنزل).

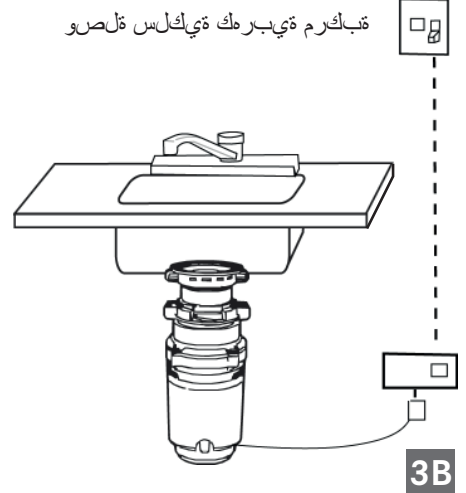
**هل جهاز التخلص من النفايات مؤرض؟**

**تحذير:** يجب أن يكون هذا الجهاز مؤرض! في حالة حدوث خلل بسبب الأعطال، يقلل التأريض من خطر حدوث صدمة. يجب أن يكون الجهاز متصلاً بالأرض والمعدن وموصل الأسلاك الدائمة متصلة مع محطة تأريض المعدات أو سلك التوصيل في الجهاز.

ءابرهك سباقب ءدوزم صلختمل ءيبرهك ءلصو نيوبوصم ليصوت كلسو ءيئزج ءيذغتل سيلو طوف ءرمتمل ءيذغتلل



قبكرم ءيبرهك ءيكلس ءلصو



◀ في حالة تلف سلك الإمداد، يجب استبداله من قبل الشركة المصنعة أو وكيل الخدمة الخاص بها أو شخص مؤهل بشكل مماثل لتجنب أي خطر.  
إزالة سلك التيار المتصل أو قابس التيار الكهربائي يلغي الضمان.

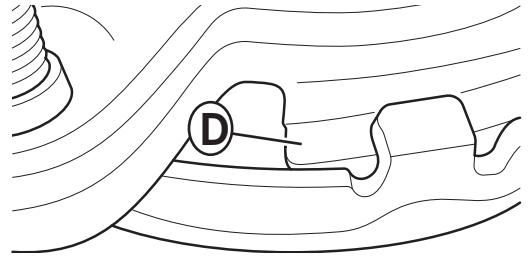
الجزء التالي الخاص بالكهرباء للمملكة المتحدة هو خاص بالمملكة المتحدة فقط، لذا يمكن تجاوزه إذا كان لا ينطبق.

عند استخدام الموصل المقلوب والموصب بالأسلاك مسبقاً قبل التوصيل (شكل 3A)

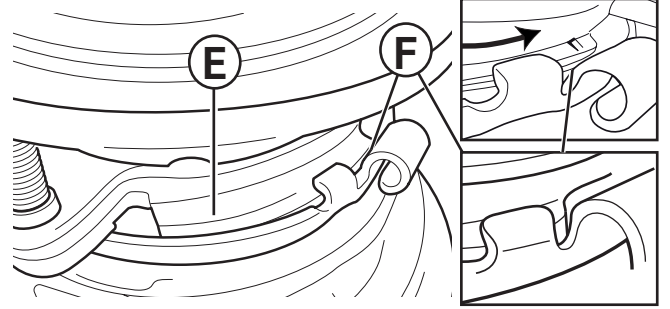
- ✓ تصميم وحدات التخلص من النفايات هذه بحيث تُوصَل بإمدادات كهربائية 240/220 فولت، 60/50 هرتز من خلال القابس المعلق ذي الثلاث مسامير وفي مقبس سلكي.
- ✓ يجب حماية جهاز إزالة النفايات من امصهر الأمبير BS 1363 13. ويضمن المصهر داخل القابس المقلوب والرصاص، المتصل بجهاز التخلص من النفايات.
- ✓ يجب أن يتم وضع مفتاح التبديل 13 أمبير ثنائي القطب المحفز أعلى من سطح الحوض وبحد أدنى متر واحد من جانب الحوض، بعيداً عن رش المياه وعن متناول يد الأطفال. يجب أن يكون مفتاح التحويل هذا عبارة عن قطين مزدوجين مع فصل التوصيل 3 ملم على الأقل في كل عمود. يجب استيفاء شرط 20 أمبير DP تبديل BS 3676.
- ✓ تجنب ترك تشغيل جهاز التخلص من النفايات دون عمل، يُقترح مفتاح بمصباح مؤشر نيوني.
- ✓ يجب أن يكون المصهر المعتمد 13 أ أمبير المطابق لرابطة هيئات اختبار الدوائر القصيرة مناسباً لممسك الصهيرة لهذا المفتاح المهمازي.

### التوصيلات الكهربائية:

- ◀ ببساطة أدخل القابس في المقبس السلكي ما هو موضح سابقاً. عندما لا تستخدم قابس سلكي مسبق ولكن تستخدم عملية توصيل الأسلاك مباشرة مع الأسلاك الثابتة (شكل 3B).
- ✓ يجب أن تكون المفاتيح المستخدمة من نوع القطب المزدوج (20 أمبير دي بي لتحويلها إلى 3676 بي أس لاستيفاء هذا الاشتراط). إعداد طرف لأسلاك سلك التوصيل الكهربائية وتوصيله لصندوق الوصلات.
- ✓ أفضل صندوق التوصيل عن التيار الكهربائي قبل إجراء الاتصالات التالية:
- ✓ يجب أن يكون السلك الأخضر والأصفر متصلين بالطرف المحدد بوحدة من الطرق التالية:
- مع الحرف "E"
- بواسطة رمز الأرض (  $\perp$  )
- أخضر ملون أو أخضر وأصفر.
- ✓ يجب أن يتم توصيل السلك البني بالطرف الذي تم وضع علامة عليه بالحرف (L).
- ✓ يجب توصيل السلك الأزرق بالطرف الذي تم وضع علامة عليه بالحرف "N".



◀ تدوير حلقة التركيب المنخفضة عكس اتجاه عقارب الساعة حتى تتحكم جميع جنيحات الضبط الثلاثة على الحواف (F) على المزالق المزدوجة (D) لحلقة التركيب العليا.



- ◀ عند تدوير حلقة التثبيت السفلي في عكس اتجاه عقارب الساعة تنزلق كل جنيحات الضبط إلى أعلى مزلق حلقة التثبيت العلوي (E) وتثبت في موضعها فوق ملتقى الأسطح المنحدرة (F).
- ◀ استخدم مفك أو مطرقة للضغط إذا لزم الأمر.
- ◀ إذا كان جهاز التخلص من النفايات يحتاج إلى التحريك، فيكون بالنقر على العروة في اتجاه عقارب الساعة بمطرقة مما يؤدي إلى فك حلقة التثبيت المنخفضة بسهولة.

### التوصيلات الكهربائية

◀ توصيل جهاز التخلص من النفايات بتيار منزلي مألوف فقط. يجب التحكم في المقبس الذي يتصل به هذا الجهاز بواسطة مفتاح التحويل.

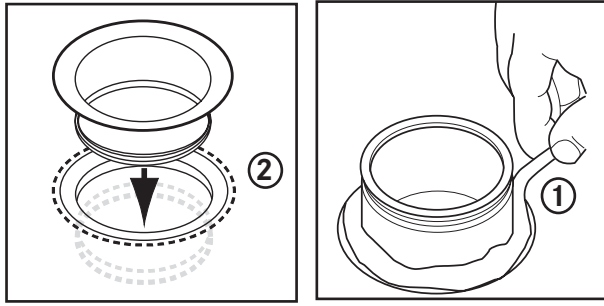


**تحذير:** يمكن أن يؤدي التوصيل غير الصحيح لموصل التأريض بالمعدات إلى حدوث صدمة كهربائية. الفحص من خلال فني كهربائي مؤهل أو موظف الخدمة إذا كان لديك شك حول ما إذا كان الجهاز مؤرض بشكل صحيح. لا تُعدّل القابس المزود بالجهاز إذا لم يكن مناسباً لمأخذ التيار. وصل مأخذ التيار المناسب بواسطة فني كهربائي مؤهل.

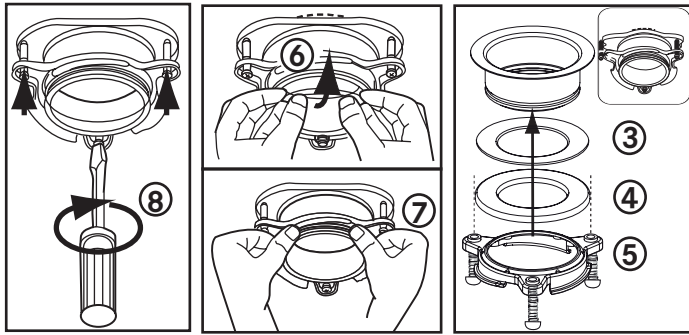
### تعليمات التأريض

- بالنسبة لجهاز التخلص من النفايات المزود بسلك التيار الخاص بالقابس.
- ◀ يجب تأريض هذا الجهاز. في حالة حدوث عطل أو عطب، يوفر التأريض مساراً أقل مقاومة للتيار الكهربائي للتقليل من خطر التعرض لصدمة كهربائية. ويجهز هذا الجهاز بسلك يحتوي على موصل للمعدات وقابس تأريض.
- ◀ يجب توصيل القابس بمنفذ مناسب مثبت بشكل صحيح ومثبت وفقاً لجميع القوانين والأنظمة المحلية

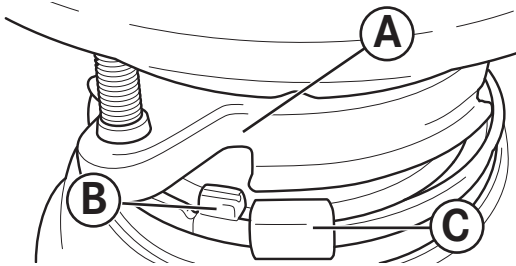
## تركيب أجزاء التجميع على قاعدة التركيب



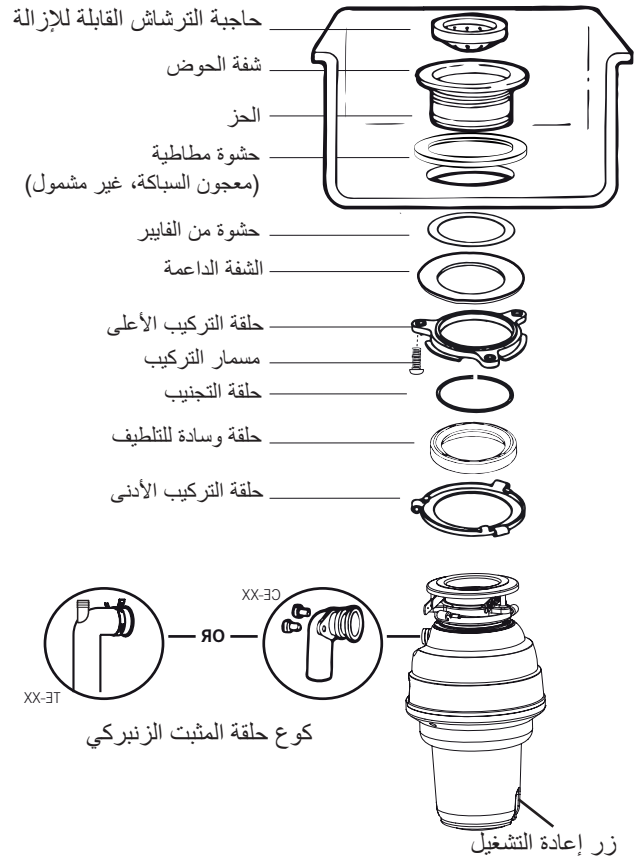
- ◀ ضع جسمًا ثقيلًا، مثل جهاز التخلص (استخدم منشفة لمنع خدش البالوعة) أعلى حافة الحوض للاحتفاظ بها.
- ◀ خذ الجزء المتبقي من مجموعة التركيب، التي وضعت جانبا. من أسفل الحوض إدخال حشوة الألياف (3)، ثم الشفة الداعمة (4)، ومن ثم حلقة التثبيت العلوي (5).
- ◀ ربط الأجزاء الثلاثة في مكانها أثناء تركيب حلقة التجنيب (6) عن طريق سحبها عن بعضها البعض وإدخالها على حافة الحوض (7) حتى تستقر داخل حز شفة الحوض (7).



- ◀ اربط مسامير التثبيت الثلاثة بشكل متساوٍ وثابت ضد الشفة الداعمة (8). لا تربط بطريقة مبالغ.
- ◀ تهذيب أي معجون سباكة زائد.
- ◀ تثبيت جهاز التخلص من النفايات على حلقة التثبيت العلوية من خلال محاذاة جنبيحات الضبط الثلاثة المثبتة على الحلقة السفلى للتركيب مع المنحدرات المنزلقة في حلقة التثبيت العلوية وتدوير عكس اتجاه عقارب الساعة.



- ◀ تتصل حلقة التركيب السفلى (والتي تعد جزءًا من جهاز التخلص من النفايات) بثلاثة جنبيحات ضبط والتي تنزع المزلاق الخاص بحلقة التركيب.
- أ- (A) يشير إلى حلقة التثبيت العليا
- ب- (B) هو جنبيح الضبط الذي ينزلق لأعلى في (المزلاق)
- ت- (C) هي (العروة) التي تستخدم للمساعدة في تدوير حلقة التثبيت السفلى.
- ◀ استخدام مفك براغي للضغط إذا لزم الأمر.



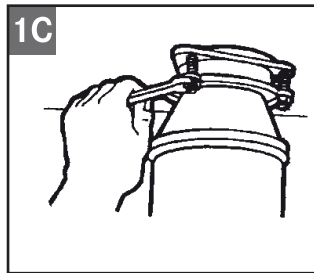
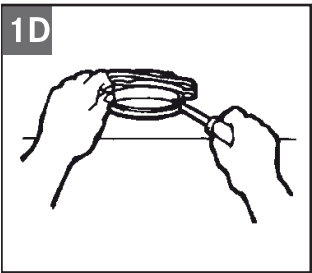
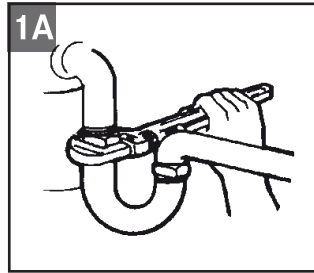
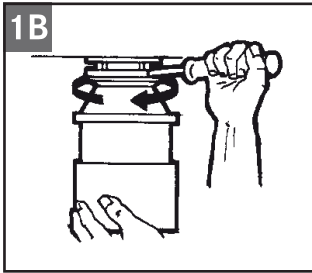
**ملاحظة:** تجميع مكونات التركيب من خارج الصندوق بنفس الترتيب وتُجمع على الحوض، لذا يرجى الانتباه إلى ترتيب مكونات نظام التركيب قبل تفكيكها.

- ◀ **بقاء حلقة الوسادة المطاطية وحلقة التركيب السفلى متصلة بجهاز التخلص من النفايات أثناء عملية التركيب.** تفكيك المكونات الأخرى من مجموعة التركيب عن طريق تدوير حلقة التثبيت المنخفضة في اتجاه عقارب الساعة حتى تنزلق من جنبيحات الضبط بالحلقة السفلية من منحدر الحلقة العلوي المتصاعد. يسمح لك ذلك بفصل التجميع العلوي عن مجموعة التركيب المتبقية المنخفضة.
- ◀ فك مسامير التثبيت الثلاثة حتى يمكن نقل حلقة التثبيت العلوية إلى الجزء العلوي من الشفة الداعمة. إزالة حلقة التجنيب مع مدور المسامير.
- ◀ ضع الأجزاء المتبقية معًا بترتيب إزالتها. قبل توصيل وحدة التصريف إلى مجموعة التركيب الموجودة أسفل الحوض، تأكد من أن حلقة التثبيت المنخفضة في مكانها وأن حلقة الوسادة المطاطية السوداء لا تزال تعمل بشكل صحيح إلى قمة فتحة جهاز التخلص من النفايات. (لا تزيل حلقة وسادة التطيف.)
- ◀ تأكد من نظافة الحوض. توصيل شفة دهان السباكة مع شفة الحوض (1). من قمة الحوض، دفع شفة الحوض إلى أسفل مقابل فتحة الحوض لعمل مانع للتسرب جيد (2). عدم تحريك أو دوران شفة الحوض بمجرد تثبيتها أو كسر السدادة محكمة الغلق.

## إزالة الوحدة القديمة

التركيب وحلقة الحامية والطوق من حافة الحوض. بعض التثبيتات ستتطلب فك حلقة كبيرة تحمل شفة الحوض في مكانها. اسحب شفة الحوض عن طريق الحوض وتنظيف المعجون القديم من الحوض. تأكد من أن بقاء الحوض نظيفًا وجافًا تمامًا.

**هام:** يعد هذا وقتًا جيدًا لتنظيف بوابة التهوية وخطوط التصريف عن طريق تشغيل أداة تفريغ أو أداة سباكة لنزع أي شيء قبل تثبيت أداة جهاز التخلص من النفايات الجديد.



التعليمات الموحدة، قد يختلف من طراز لآخر

◀ قبل البدء في هذه الخطوة، يرجى غلق الطاقة الكهربائية في قاطع الدائرة الكهربائية أو صندوق الفيوزات.  
◀ فصل جهاز التخلص من النفايات.

إذا كانت القاعدة القديمة هي نفسها التي في جهاز التخلص من النفايات الجديد؛ يرجى قلب تعليمات التجميع الموجودة في تعليمات تركيب الأجزاء المجمع. إذا كان نظام التثبيت الخاص بك مختلفًا، يرجى اتباع التعليمات التالية:

◀ توافر وعاء لالتقاط أي مياه زائدة أو نفايات من جهاز التخلص من النفايات الحالي.

◀ استخدام مفتاح براغي لفصل خط التصريف حيث يتصب بكوع التصريف الخاص بجهاز التخلص من النفايات. (الشكل 1 أ).

◀ أزل جهاز التخلص من النفايات شفة الحوض بتحويل حلقة التركيب إلى اليسار في اتجاه عقارب الساعة (شكل 1 ب). إذا كنت غير قادر على تشغيل حلقة التركيب، اضغط على أحد الإضافات من الحلقة بمطرقة.

◀ بعض أنظمة التثبيت لديها امتدادات أنبوبية. إدخال مفك

البراغي في أنبوب واحد سيوفر قوة إضافية لتحويل حلقة التثبيت (شكل 1 ب). قد تتطلب بعض أجهزة التخلص من النفايات إزالة الصواميل من مسامير التثبيت (شكل 1C).

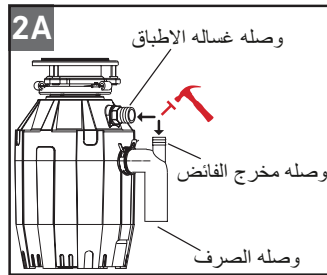
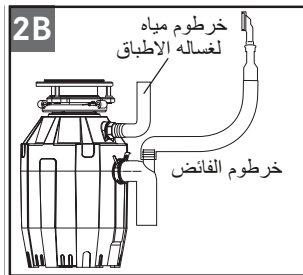
◀ قد تتطلب بعض أجهزة التخلص من النفايات إزالة المثبتات. لإزالة نظام التركيب المتبقي من الحوض، فك المسامير، وادفع حلقة التركيب لأعلى. تحت ذلك هو حلقة ذاتية الإطباق. استخدم مفك البراغي لإخراج الحلقة (شكل 1D). أزل حلقة

## توصيلات السباكة

إذا لم تكن غسالة الأطباق و/ أو طقاحة متصلة، فانقل إلى القسم التالي.

إذا كنت تستخدم غسالة صحون، فمن المفضل أن توصل مباشرة بوصلة السيفون. إذا لم يكن اتصال غسالة الأطباق متاحًا في السيفون، فاستكمل الإجراء التالي:

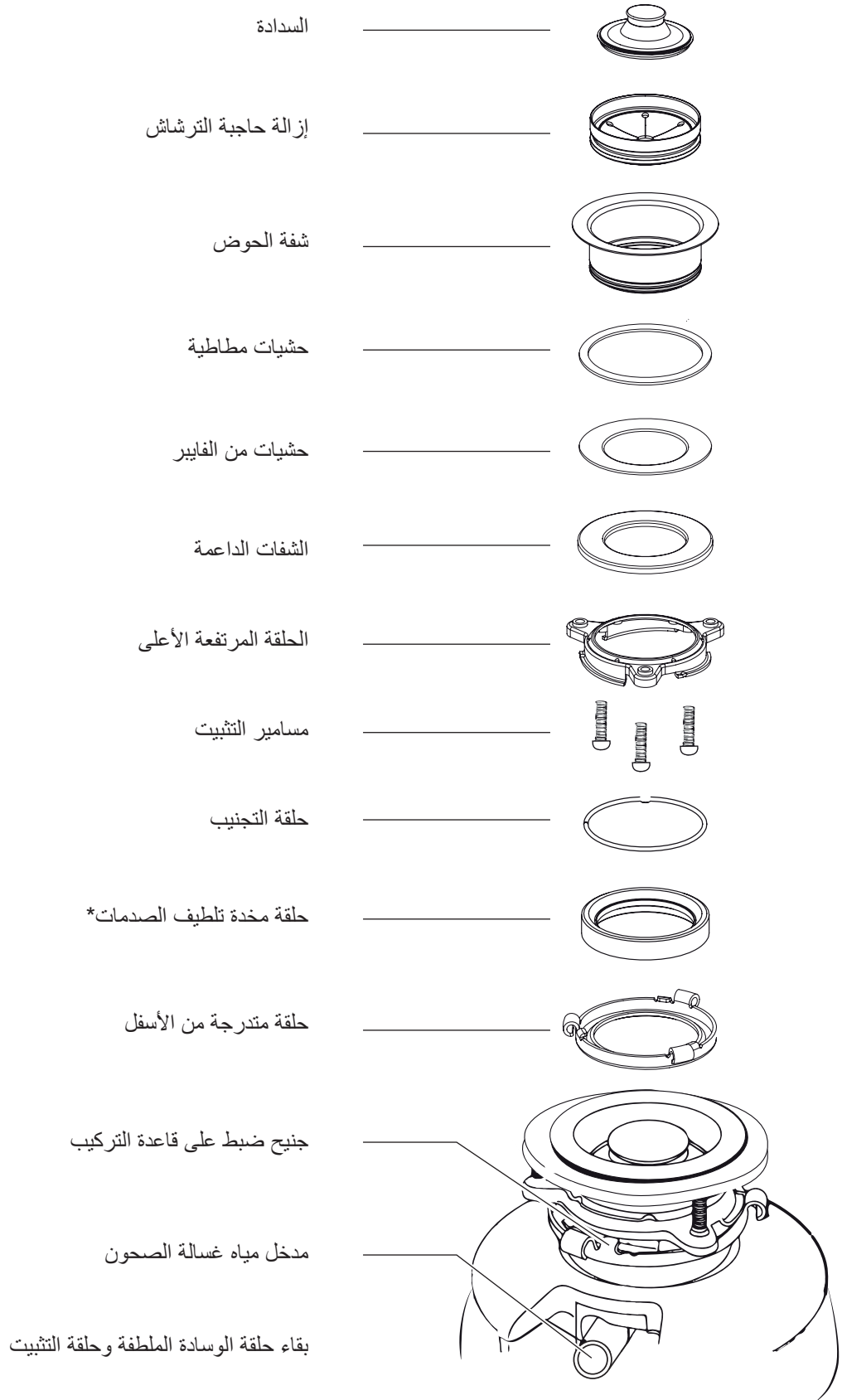
◀ استخدام أداة غير حادة (مثقب صلب أو دسار تثبيت خشبي)، أغلق القابس بالكامل (شكل 2 أ). لا تستخدم مفك البراغي أو أداة حادة. (عندما يقع قابس الإغلاق في جهاز التخلص من النفايات، يمكنك إزالته أو تجميعه عند استخدام جهاز التخلص من النفايات). لن يلحق الضرر بجهاز التخلص من النفايات بأي شكل من الأشكال، ولكن قد يستغرق بعض الوقت للتجميع.



◀ ربط خرطوم الفائض (الشكل 2 ب) باستخدام مثبت خرطوم. إذا كان حجم الخرطوم مختلفًا، فإنك تحتاج إلى محول مطاطي متدرج.

◀ توصيل خرطوم غسالة الصحون (شكل 2 ب) باستخدام مثبت الخرطوم. التأكد من أن جميع وصلات السباكة محكمة وطبقًا لجميع قوانين وأنظمة السباكة. تشغيل المياه والتحقق من وجود تسرب.

## أجزاء التجميع



السفلي موصلين بجهاز التخلص من النفايات أثناء التركيب.



## معلومات عن هذا الدليل

الرمز	المعنى
	رمز التحذير. التحذير من مخاطر الإصابة.
◀	الإجراءات التي يجب القيام بها في ملاحظات التحذير والسلامة لتجنب الإصابة أو التلف.
◀	خطوة العمل. وتحدد هذه الخطوة الإجراء الذي يتعين القيام به.
■	النتيجة. النتيجة المترتبة على خطوة أو أكثر من خطوات العمل.
✓	الشروط المحددة مسبقًا والتي يجب مراعاتها قبل تنفيذ الإجراء التالي.

ينطبق دليل المستخدم هذا على العديد من طرازات الجهاز. وبالتالي قد يكون من الممكن أن تكون بعض الميزات والوظائف الموصوفة غير متوفرة في طرازك المحدد. تحتفظ شركة فرانكي بالحق في إجراء تعديلات على المنتج دون إشعار مسبق. جميع المعلومات الصحيحة في وقت الإصدار. تحتفظ شركة FRANKE بالحق في إجراء أي تعديلات على المنتج بدون إشعار مسبق. وتعتبر جميع المعلومات الواردة في هذا الدليل صحيحة وقت إصداره.

- ◀ احتفظ بدليل المستخدم.
- ◀ استخدم الجهاز الموضح في دليل المستخدم هذا فقط وفقًا للاستخدام المزمع.

## الاستخدام المعني

استخدام جهاز التخلص من النفايات من النفايات فقط لنفايات الطعام. ◀ استخدم جهاز التخلص من النفايات فقط في التخلص من مخلفات الطعام.

جهاز التخلص من فضلات الطعام عبارة عن جهاز كهربائي يتم تثبيته أسفل الحوض من أجل تقطيع النفايات إلى قطع تأكد من أن السلطات تسمح بتركيب جهاز التخلص من النفايات.

## معلومات السلامة

من النفايات: أصداف المحار أو الأسماك. منظفات التصريف الكاوية أو منتجات مماثلة؛ الزجاج، الصين أو البلاستيك. عظام كاملة كبيرة؛ المعادن، مثل أغذية الزجاجات وعلب الصفيح وألواح الألومنيوم أو الأواني؛ الدهون الساخنة أو غيرها من السوائل الساخنة. قشور الذرة الكاملة. ◀ عند عدم تشغيل جهاز التخلص من النفايات اترك السدادة في مكانها للحد من مخاطر الأشياء الواقعة في جهاز التخلص من النفايات. ◀ لا تشغل جهاز التخلص من النفايات إلا بوجود حاجبة الترشاش في مكانها. ◀ لتعليمات التأسيس الملائمة، انظر الجزء الخاص بالتوصيلات الكهربائية في هذا الكتيب. ◀ وقد صمم جهاز التخلص من النفايات المعني ليعمل على 220-240 فولت، 60/50 هيرتز فقط. أما استخدام أي جهد كهربائي أو وحدة قياس هرتز غير المقررة، فسوف تؤثر على أداء الجهاز. ◀ يجب التحكم في القابس الذي يتصل به هذا الجهاز بواسطة مفتاح.

تعليمات حول مخاطر الحريق أو الصدمة الكهربائية أو الإصابة بالأشخاص.

- ⚠ **تحذير:** عند استخدام الأجهزة الكهربائية، ينبغي إتباع الاحتياطات الأساسية التالية:
  - ◀ قراءة جميع التعليمات قبل استخدام الجهاز.
  - ◀ للحد من مخاطر الإصابة، يتعين أن يكون الإشراف عن كثب عند استخدام الجهاز بالقرب من الأطفال.
  - ◀ لا تدخل يديك أو أصابعك داخل جهاز التخلص من النفايات.
  - ◀ أغلق مفتاح التشغيل قبل محاولة تحرير ما علق بها أو إزالة أي شيء من جهاز التخلص من النفايات.
  - ◀ عند محاولة نزع الشيء العالق بجهاز التخلص من النفايات، استخدم غرض مصنوع من الخشب طويل مثل ملعقة خشبية أو يد الممسحة أو المكنسة الخشبية.
  - ◀ عند محاولة إزالة الأشياء العالقة بجهاز التخلص من النفايات، استخدم ملقاط ذو يد طويلة أو كماشة ذو يد طويلة. إذا كان مشغل الحركة مشغل بالقوى المغناطيسية، فيجب استخدام الأدوات غير المغناطيسية.
  - ◀ للحد من مخاطر الإصابة بسبب المواد التي قد يلفظها جهاز التخلص من النفايات؛ لا تضع الأشياء التالية في جهاز التخلص

## جدول المحتويات

4	التنظيف والصيانة
4	التصرف
5	اكتشاف الأخطاء وإصلاحها:
6	عملية تبديل الهواء
6	تعليمات التشغيل:
6	التغذية المستمرة
6	التغذية الجزئية
7	ربط كوع التصريف
8	التوصيلات الكهربائية
8	تعليمات التأريض
9	تركيب أجزاء التجميع على قاعدة التركيب
10	إزالة الوحدة القديمة
10	توصيلات السباكة
11	أجزاء التجميع
12	معلومات عن هذا الدليل
12	الاستخدام المعني
12	معلومات السلامة



**Belgium**

Franke N.V.  
9400 Ninove  
Phone +32 54 310 111

**Brazil**

Franke Sistemas de Cozinhas do Brasil Ltda.  
89219-512 Joinville, SC  
Phone +55 47 3431 0501

**Canada**

Franke Kindred Canada Limited  
Midland, ON L4R 4K9  
Phone +1 705 526 5427

**Czech Republic**

Franke s.r.o.  
190 00 Praha 9  
Phone +420 281 090 411

**Denmark**

Franke Kitchen Systems Denmark  
8520 Lystrup  
Phone +45 8624 9024

**Egypt**

Franke Kitchen Systems Egypt S.A.E.  
6th of October City  
Phone +202 3828 0000

**Finland**

Franke Finland Oy  
76850 Naarajärvi  
Phone +358 15 341 11

**France**

Franke France S.A.S.  
60230 Chambly  
Phone +33 130 289 400

**Germany**

Franke GmbH  
79713 Bad Säckingen  
Phone +49 7761 52 0

**Greece**

Franke Hellas S.A.  
19003 Markopoulo Attikis (Athens)  
Phone +30 22991 500 00

**Hong Kong SAR**

Franke Asia Hong Kong Office  
Causeway Bay  
Phone +852 3184 1900

**India**

Franke Faber India Limited  
Aurangabad - 431 136  
Phone +91 240 2556697/98

**Italy**

Franke S.p.A.  
37019 Peschiera del Garda  
Phone +39 045 644 9311

**Kazakhstan**

Franke Kazakhstan Ltd.  
040918 Almaty City  
Phone +7 727 297 3812

**Morocco**

Franke Kitchen System SARL  
21 000 Casablanca  
Phone +212 522 674 200

**Norway**

Franke Kitchen Systems Norway  
8520 Lystrup, Denmark  
Phone +47 35 566 450

**P.R. China**

Franke (China) Kitchen Systems Co., Ltd.  
Heshan, Guangdong, 529700  
Phone +86 750 841 9288  
Shanghai office +86 215 150 6715

**Poland**

Franke Polska Sp. z o.o.  
05-090 Raszyn  
Phone +48 22 711 6700

**Portugal**

Franke Portugal S.A.  
2735-531 Cacém  
Phone +351 21 426 9670

**Romania**

Franke Romania SRL  
Pantelimon 077145  
Phone +40 21 350 1550

**Russia**

Franke Russia GmbH  
199106 St. Petersburg  
Phone +7 812 703 1503

**Singapore**

Franke Singapore Pte. Ltd.  
068811 Singapore  
Phone +65 6709 5608

**Slovak Republic**

Franke Slovakia s.r.o.  
010 01 Žilina  
Phone +421 41 733 6200

**South Africa**

Franke Kitchen Systems (Pty.) Ltd.  
Durban 4052  
Phone +27 31 450 6300

**Spain**

Franke España S.A.U.  
08100 Mollet del Vallés (Barcelona)  
Phone +34 93 565 3535

**Sweden**

Franke Kitchen Systems Sweden  
168 67 Bromma  
Phone +46 912 405 00

**Switzerland**

Franke Küchentechnik AG  
4663 Aarburg  
Phone +41 62 787 3131

**Thailand**

Franke (Thailand) Co., Ltd.  
Bangkok 10120  
Phone +66 2 612 7900

**The Netherlands**

Franke Nederland B.V.  
5700 AD Helmond  
Phone +31 492 585 111

**Turkey**

Franke Mutfak ve Banyo  
Sistemleri Sanayi ve Ticaret A.S.  
41400 Gebze Kocaeli  
Phone +90 262 644 6595

**Ukraine**

Franke Ukraina LLC  
02081 Kiev  
Phone +38 044 492 0015

**United Kingdom**

Franke UK Ltd.  
Manchester M22 5WB  
Phone +44 161 436 6280

**USA**

Franke Consumer Products Inc.  
Smyrna, TN 37167  
Phone +1 615 462 4000

